



Flygt 3301

Table of Contents

Introduction.....	2
Specially approved products.....	2
Product Description.....	3
The data plate.....	3
Approvals.....	4
Product denomination.....	5
Drive Unit.....	7
Standard and explosion-proof.....	7
3301.090/095/180/185.....	8
3301.800/810/820/830.....	19
3301.660/670/860/870.....	26
Hydraulic Unit.....	37
N_ LT.....	37
N_ LT.....	38
N_ MT.....	39
N_ HT.....	40
3301.090/180/800/810.....	41
3301.095/185/820/830.....	45
3301.660/670/860/870.....	49
Installation Components.....	52
NP.....	52
NS.....	53
NT.....	54
NZ.....	55
3301.090/180/800/810.....	57
3301.095/185/820/830.....	58
3301.660/670/860/870.....	59
Service Parts.....	61
3301.090/180/800/810.....	61
3301.095/185/820/830.....	61
3301.660/670/860/870.....	62

Introduction

Purpose of this manual

The purpose of this manual is to provide necessary information on spare parts and accessories order.

Disclaimer

Always use genuine Flygt parts. The use of other spare parts or accessories can invalidate any claims for warranty or compensation. Xylem does not take any responsibility for damages that are caused by the use of non-original parts. For more information, contact your local sales and service representative.

Data for ordering spare parts

The following information is needed for spare part orders:

- Serial number of the product
- Part number
- Quantity of bulk material, see * in tables

Specially approved products

Qualification of personnel

Only Xylem or Xylem-authorized service personnel may undertake repair work on Ex-approved products.

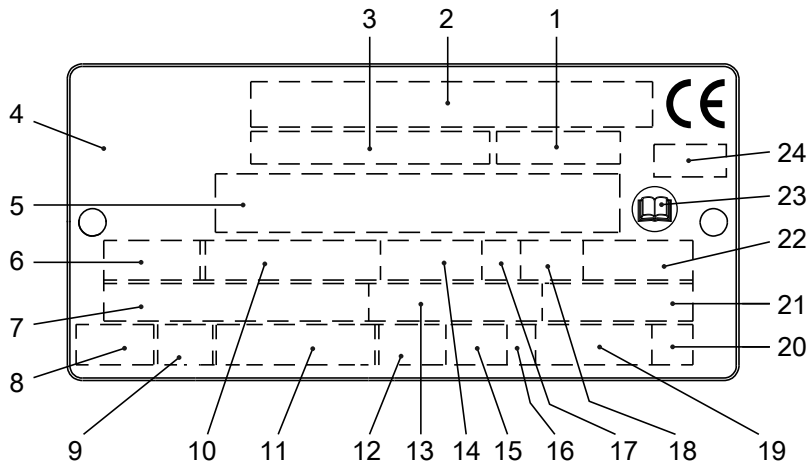
Dimensional accuracy inspection

Spare parts marked with (Ex) after the part number are subject to dimensional accuracy inspection.

Product Description

The data plate

The data plate is a metal label that is located on the main body of the products. The data plate lists key product specifications. Specially approved products also have an approval plate.



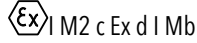
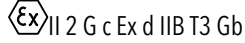

WS006257A

1. Curve code or Propeller code
2. Serial number
3. Product number
4. Country of origin
5. Additional information
6. Phase; type of current; frequency
7. Rated voltage
8. Thermal protection
9. Thermal class
10. Rated shaft power
11. International standard
12. Degree of protection
13. Rated current
14. Rated speed
15. Maximum submergence
16. Direction of rotation: L=left, R=right
17. Duty class
18. Duty factor
19. Product weight
20. Locked rotor code letter
21. Power factor
22. Maximum ambient temperature
23. Read installation manual
24. Notified body, only for EN-approved Ex products

Figure 1: The data plate

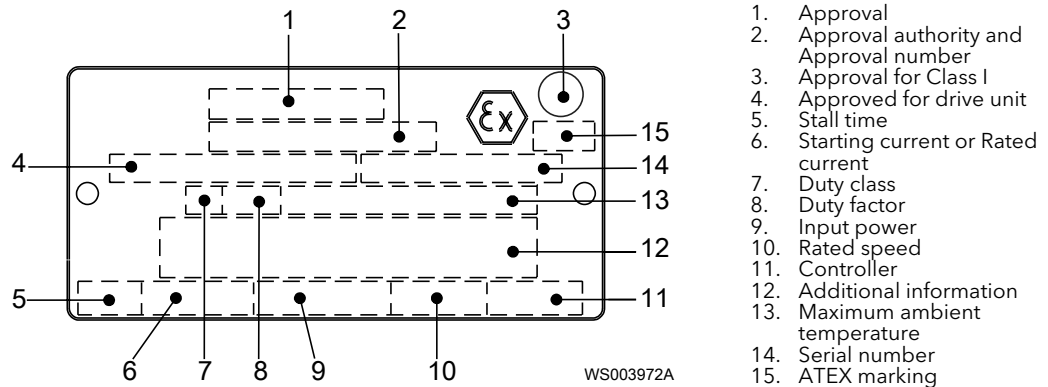
Approvals

Product approvals for hazardous locations

Pump	Approval
<ul style="list-style-type: none"> • 3301.090 • 3301.095 • 3301.670 • 3301.810 • 3301.830 • 3301.870 	<p>European Norm (EN)</p> <ul style="list-style-type: none"> • ATEX Directive • EN 60079-0:2009, EN 60079-1:2007, EN 13463-1:2009, EN 13463-5:2011 •  I M2 c Ex d I Mb •  II 2 G c Ex d IIB T3 Gb <p>EN approval for cable entry:</p> <ul style="list-style-type: none"> • Certificate number: INERIS 02ATEX9008 U •  II 2 G Ex d IIC Gb or I M2 Ex d I Mb <p>IEC</p> <ul style="list-style-type: none"> • IECEx scheme • IEC 60079-0, IEC 60079-1 • Ex d I • Ex d IIB T3 <p>FM (FM Approvals)</p> <ul style="list-style-type: none"> • Explosionproof for use in Class I, Div. 1, Group C and D • Dust ignition proof for use in Class II, Div. 1, Group E, F and G • Suitable for use in Class III, Div. 1, Hazardous Locations

EN approval plate

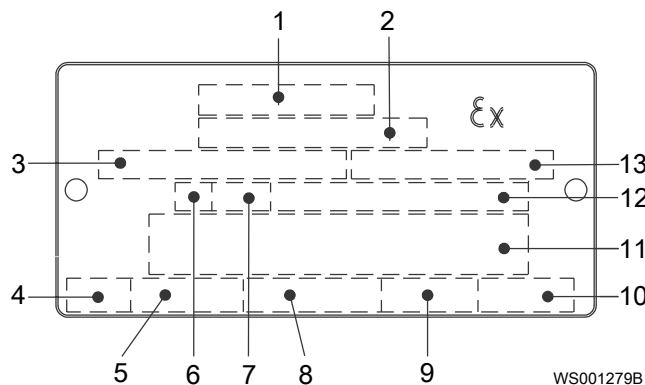
This illustration describes the EN approval plate and the information that is contained in its fields.



IEC approval plate

This illustration describes the IEC approval plate and the information that is contained in its fields.

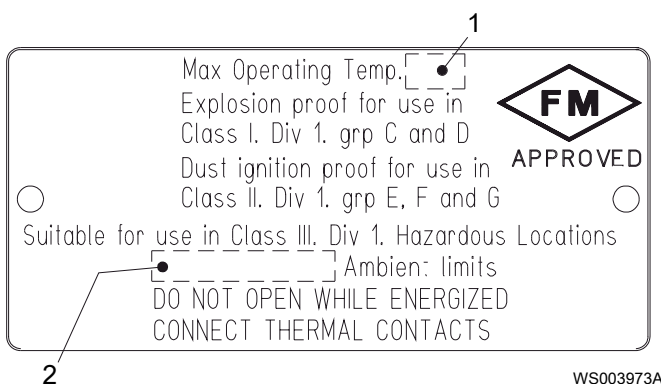
International Norm; not for EU member countries.



1. Approval
2. Approval authority and Approval number
3. Approved for drive unit
4. Stall time
5. Starting current or Rated current
6. Duty class
7. Duty factor
8. Input power
9. Rated speed
10. Controller
11. Additional information
12. Maximum ambient temperature
13. Serial number

FM approval plate

This illustration describes the FM approval plate and the information that is contained in its fields.



1. Temperature class
2. Maximum ambient temperature

Product denomination

Reading instruction

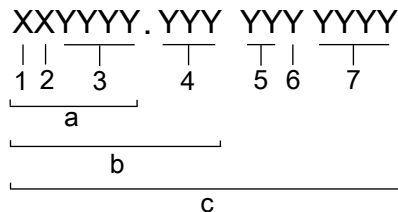
In this section, code characters are illustrated accordingly:

X = letter

Y = digit

The different types of codes are marked up with a, b and c. Code parameters are marked up with numbers.

Codes and parameters

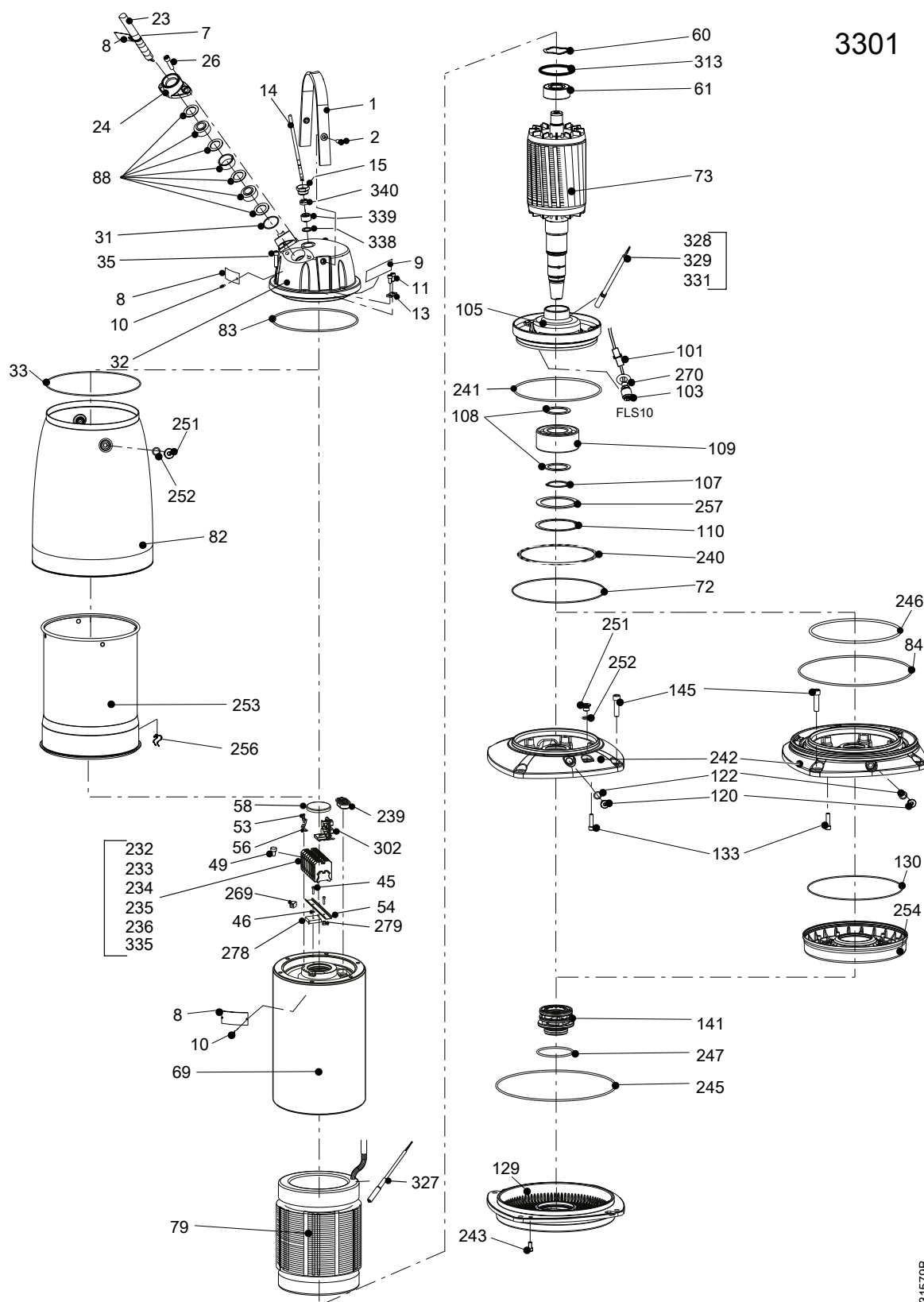


Type of Callout	Number	Indication
Type of code	a	Sales denomination
	b	Product code
	c	Serial number

Type of Callout	Number	Indication
Parameter	1	Hydraulic end
	2	Type of installation
	3	Sales code
	4	Version
	5	Production year
	6	Production cycle
	7	Running number

Drive Unit

Standard and explosion-proof



31579B

Pos. No	Part. No	Type	Denomination	Qty/Version			
				090	095	180	185
23	94 19 97		Motor cable subcab SUBCAB S3x70+3x35/3+2S(2x0,5)	*	*	*	*
24	605 61 01	(Ex)	Entrance flange	1	1	1	1
24	605 61 01	(Ex)	Entrance flange	2	2	2	2
24	605 61 21	(Ex)	Entrance flange	1	1		
24	605 61 21	(Ex)	Entrance flange	2	2		
24	605 61 23	(Ex)	Entrance flange	1	1		
24	605 61 23	(Ex)	Entrance flange	2	2		
24	605 61 25	(Ex)	Entrance flange	1	1		
24	605 61 25	(Ex)	Entrance flange	2	2		
24	605 61 27	(Ex)	Entrance flange	1	1		
24	605 61 27	(Ex)	Entrance flange	2	2		
24	605 61 20		Entrance flange			1	1
24	605 61 20		Entrance flange			2	2
24	605 61 22		Entrance flange			1	1
24	605 61 22		Entrance flange			2	2
24	605 61 24		Entrance flange			1	1
24	605 61 24		Entrance flange			2	2
24	605 61 26		Entrance flange			1	1
24	605 61 26		Entrance flange			2	2
25	433 47 06		Plate 70 MM	1	1	1	1
25	433 47 06		Plate 70 MM	2	2	2	2
25	433 47 06		Plate 70 MM	1	1	2	2
25	433 47 06		Plate 70 MM	2		2	
25	84 41 09		Plate 35 MM Optional	1	1	1	1
26	83 04 53		Hex.socket hd screw M12X45-A4-80	2	2	2	2
26	83 04 53		Hex.socket hd screw M12X45-A4-80	4	4	4	4
26	83 04 53		Hex.socket hd screw M12X45-A4-80	2		2	
26	83 04 53		Hex.socket hd screw M12X45-A4-80	4		4	
31	82 74 67		O-ring 69.5X3 NBR	1	1	1	1
31	82 74 67		O-ring 69.5X3 NBR	2	2	2	2
31	82 81 75		O-ring 69.5X3 FPM	1		1	
31	82 81 75		O-ring 69.5X3 FPM	2		2	
31	82 81 75		O-ring 69.5X3 FPM	1	1	1	1
31	82 81 75		O-ring 69.5X3 FPM	2	2	2	2
32	608 51 11	(Ex)	Entrance cover	1	1		
32	608 51 13	(Ex)	Entrance cover For motor cable x2	1	1		
32	608 51 15	(Ex)	Entrance cover Cable entry auxiliary cable	1	1		
32	608 51 17	(Ex)	Entrance cover Cable entry auxiliary cable For motor cable x2	1	1		
32	608 51 10		Entrance cover			1	1
32	608 51 12		Entrance cover For motor cable x2			1	1
32	608 51 14		Entrance cover Cable entry auxiliary cable			1	1
32	608 51 16		Entrance cover Cable entry auxiliary cable For motor cable x2			1	1
33	82 78 76		O-ring 370X5.7 NBR	1	1	1	1

Pos. No	Part. No	Type	Denomination	Qty/Version			
				090	095	180	185
33	82 95 77		O-ring 370X5.7 FLUOR	1	1	1	1
35	83 04 58		Hex.socket hd screw M16X60-A4-80	6	6	6	6
45	82 00 11		Hex.socket hd screw M6X12-A2-70	2	2	2	2
45	83 02 79		Hex.socket hd screw M6X25-A4-70	2	2	2	2
46	82 35 73		Plain washer 6-A4-170	1	1	1	1
49	83 42 48		End sleeve H16/24	6	6		
49	83 42 48		End sleeve H16/24	6	6	6	6
49	83 42 48		End sleeve H16/24	6		6	6
49	83 42 48		End sleeve H16/24	3	3	3	3
49	83 42 49		End sleeve H25/30	3	3	3	3
49	83 42 50		End sleeve H35/30D	3	3	3	3
49	83 42 51		End sleeve H50/36	3	3	3	3
49	83 42 52		End sleeve H70/40	3	3	3	3
49	83 42 49		End sleeve H25/30	6	6	6	6
49	83 42 48		End sleeve H16/24	3		3	
49	83 42 51		End sleeve H50/36	6	6	6	6
49	83 42 48		End sleeve H16/24	3	3		
51	83 42 62		Closed end splice 0.33-0.82(AWG 22-18) L=18	2	2	2	2
53	82 00 11		Hex.socket hd screw M6X12-A2-70	2		2	
53	82 00 11		Hex.socket hd screw M6X12-A2-70	2	2	2	2
53	82 00 11		Hex.socket hd screw M6X12-A2-70	4		4	
53	82 00 11		Hex.socket hd screw M6X12-A2-70	4	4	4	4
54	608 62 00		Rail	1	1	1	1
56	642 16 00		Earthing plate	1		1	
56	642 16 00		Earthing plate	1	1	1	1
56	605 73 00		Earthing plate	1	1	1	1
56	642 16 00		Earthing plate	2		2	
56	642 16 00		Earthing plate	2	2	2	2
56	605 73 00		Earthing plate	1		1	
58	82 92 77		Protective cap	1	1	1	1
60	82 56 26		Spring washer 119.5X100.5X1.2	1	1	1	1
61	83 30 21		Ball bearing 3311A-2Z/C3VT113	1	1	1	1
69	608 52 01	(Ex)	Stator housing	1	1		
69	608 52 00		Stator housing			1	1
72	82 75 05		O-ring 339.3X5.7 NBR	1	1	1	1
72	82 75 23		O-ring 339.3X5.7 FPM	1		1	
72	82 75 23		O-ring 339.3X5.7 FPM	1	1	1	1
73	663 17 01		Shaft unit	1	1	1	1
73	663 17 00		Shaft unit	1	1	1	1
73	663 18 01		Shaft unit	1	1	1	1
73	663 18 00		Shaft unit	1	1	1	1
73	663 19 00		Shaft unit	1	1	1	1

Pos. No	Part. No	Type	Denomination	Qty/Version			
				090	095	180	185
79	642 31 01		Stator 35-25-4a 50Hz 4-poles 660V-690V Y 380V-400V D P2=55kW 60Hz 4-poles 440V-460V D P1=60KW 50Hz 4-poles 660V-690V Y 380V-400V D P1=51KW 60Hz 4-poles 440V-460V D P2=63kW/85hp	1	1	1	1
79	642 31 02		Stator 35-25-4a 50Hz 4-poles 415V-440V D P2=55kW 50Hz 4-poles 415V-440V D P1=51KW	1	1	1	1
79	642 31 04		Stator 35-25-4a 50Hz 4-poles 500V D P2=55kW 60Hz 4-poles 575V-600V D P1=60KW 50Hz 4-poles 500V D P1=51KW 60Hz 4-poles 575V-600V D P2=63kW/85hp	1	1	1	1
79	642 31 07		Stator 35-25-4a 60Hz 4-poles 380V D P1=60KW 60Hz 4-poles 380V D P2=63kW/ 85hp	1		1	1
79	663 80 01		Stator 35-29-4a 50Hz 4-poles 690V Y 400V D P2=70kW 60Hz 4-poles 460V D P1=72KW 50Hz 4-poles 690V Y 400V D P1=59KW 60Hz 4-poles 460V D P2=78kW/ 105hp	1	1	1	1
79	663 80 02		Stator 35-29-4a 50Hz 4-poles 415V-440V D P2=70kW 50Hz 4-poles 415V-440V D P1=59KW	1	1	1	1
79	663 80 04		Stator 35-29-4a 50Hz 4-poles 500V D P2=70kW 60Hz 4-poles 575V-600V D P1=73KW 50Hz 4-poles 500V D P1=59KW 60Hz 4-poles 575V-600V D P2=78kW/105hp	1	1	1	1
79	663 80 06	(Ex)	Stator 35-29-4a 60Hz 4-poles 380V D P1=73KW 60Hz 4-poles 380V D P2=78kW/ 105hp	1		1	1
79	663 80 08		Stator 35-29-4a 50Hz 4-poles 660V Y 380V D P2=70kW 60Hz 4-poles 440V D P1=73KW 50Hz 4-poles 660V Y 380V D P1=59KW 60Hz 4-poles 440V D P2=78kW/ 105hp	1	1	1	1

Pos. No	Part. No	Type	Denomination	Qty/Version			
				090	095	180	185
79	654 81 01		Stator 35-25-6a 50Hz 6-poles 660V-690V Y 380V-400V D P2=45kW 60Hz 6-poles 440V-460V D P1=46KW 50Hz 6-poles 660V-690V Y 380V-400V D Max P1=40KW 60Hz 6-poles 440V-460V D P2=52kW/70hp	1	1	1	1
79	654 81 02		Stator 35-25-6a 50Hz 6-poles 415V-440V D P2=45kW 50Hz 6-poles 415V-440V D P1=40KW	1	1	1	1
79	654 81 04		Stator 35-25-6a 50Hz 6-poles 500V D P2=45kW 60Hz 6-poles 575V-600V D P1=46KW 50Hz 6-poles 500V D P1=39KW 60Hz 6-poles 575V-600V D P2=52kW/70hp	1	1	1	1
79	654 81 06		Stator 35-25-6a 60Hz 6-poles 660V Y 380V D P1=45KW 60Hz 6-poles 660V Y 380V D P2=52kW/70hp	1		1	1
79	654 82 01		Stator 35-29-6a 50Hz 6-poles 690V Y 400V D P2=55kW 60Hz 6-poles 460V D P1=55KW 50Hz 6-poles 690V Y 400V D P1=46KW 60Hz 6-poles 460V D P2=63kW/ 85hp	1	1	1	1
79	654 82 02		Stator 35-29-6a 50Hz 6-poles 415V-440V D P2=55kW 50Hz 6-poles 415V-440V D P1=46KW	1	1	1	1
79	654 82 04		Stator 35-29-6a 50Hz 6-poles 500V D P2=55kW 60Hz 6-poles 575V-600V D P1=55KW 50Hz 6-poles 500V D P1=46KW 60Hz 6-poles 575V-600V D P2=63kW/85hp	1	1	1	1
79	654 82 06		Stator 35-29-6a 60Hz 6-poles 380V D P1=55KW 60Hz 6-poles 380V D P2=63kW/ 85hp	1		1	1
79	654 82 08		Stator 35-29-6a 50Hz 6-poles 660V Y 380V D P2=55kW 60Hz 6-poles 440V D P1=55KW 50Hz 6-poles 660V Y 380V D P1=46KW 60Hz 6-poles 440V D P2=63kW/ 85hp	1	1	1	1

Pos. No	Part. No	Type	Denomination	Qty/Version			
				090	095	180	185
79	666 31 01		Stator 35-29-8a 50Hz 8-poles 690V Y 400V D P2=37kW 60Hz 8-poles 460V D P1=34KW 50Hz 8-poles 690V Y 400V D P1=29KW 60Hz 8-poles 460V D P2=45kW/ 60hp	1	1	1	1
79	666 31 02		Stator 35-29-8a 50Hz 8-poles 415V-440V D P2=37kW 50Hz 8-poles 415V-440V D P1=29KW	1	1	1	1
79	666 31 04		Stator 35-29-8a 50Hz 8-poles 500V D P2=37kW 60Hz 8-poles 575V-600V D P1=34KW 50Hz 8-poles 500V D P1=29KW 60Hz 8-poles 575V-600V D P2=45kW/60hp	1	1	1	1
79	666 31 06		Stator 35-29-8a 60Hz 8-poles 380V D P1=34KW 60Hz 8-poles 380V D P2=45kW/ 60hp	1	1	1	1
79	666 31 08		Stator 35-29-8a 50Hz 8-poles 660V Y 380V D P2=37kW 60Hz 8-poles 440V D P1=34KW 50Hz 8-poles 660V Y 380V D P1=29KW 60Hz 8-poles 440V D P2=45kW/ 60hp	1	1	1	1
79	679 27 02		Stator 35-25-4a 50Hz 4-poles 415V-440V D P2=55kW Thermistor 50Hz 4-poles 415V-440V D P1=51KW Thermistor			1	1
79	679 28 02		Stator 35-29-4a 50Hz 4-poles 415V-440V D P2=70kW Thermistor 50Hz 4-poles 415V-440V D P1=59KW Thermistor			1	1
79	679 29 02		Stator 35-25-6a 50Hz 6-poles 415V-440V D P2=45kW Thermistor 50Hz 6-poles 415V-440V D P1=40KW Thermistor			1	1
79	679 30 02		Stator 35-29-6a 50Hz 6-poles 415V-440V D P2=55kW Thermistor 50Hz 6-poles 415V-440V D P1=46KW Thermistor			1	1
79	679 31 02		Stator 35-29-8a 50Hz 8-poles 415V-440V D P2=37kW 50Hz 8-poles 415V-440V D P1=29KW			1	1
82	608 59 00		Cooling jacket Material:Steel	1	1	1	1
82	608 59 01		Cooling jacket STAINLESS STEEL (ASTM329)	1	1	1	1
83	82 75 02		O-ring 289.3X5.7 NBR	1	1	1	1

Pos. No	Part. No	Type	Denomination	Qty/Version			
				090	095	180	185
83	82 81 51		O-ring 289.3X5.7 FPM	1		1	
83	82 81 51		O-ring 289.3X5.7 FPM	1	1	1	1
84	82 75 12		O-ring 479.3X5.7 NBR	1	1	1	1
84	82 81 52		O-ring 479.3X5.7 FPM	1	1	1	1
88	655 80 00		Cable entry unit (23)-26 MM	1		1	
88	655 80 00		Cable entry unit (23)-26 MM	1	1	1	1
88	655 80 01		Cable entry unit (26)-29 MM	1	1	1	1
88	655 80 03		Cable entry unit (32)-35 MM	1	1	1	1
88	655 80 04		Cable entry unit (35)-38 MM	1	1	1	1
88	655 80 05		Cable entry unit (38)-41 MM	1	1	1	1
88	655 80 00		Cable entry unit (23)-26 MM	2	2	2	2
88	655 80 01		Cable entry unit (26)-29 MM	2	2	2	2
88	655 80 03		Cable entry unit (32)-35 MM	2	2	2	2
88	655 80 01		Cable entry unit (26)-29 MM	1		1	
88	655 80 04		Cable entry unit (35)-38 MM	2	2	2	2
88	655 80 02		Cable entry unit (29)-32 MM	1	1	1	1
88	655 80 06		Cable entry unit (41)-44 MM	1	1	1	1
88	655 80 07		Cable entry unit (44)-47 MM	1	1	1	1
88	655 80 02		Cable entry unit (29)-32 MM	2	2	2	2
88	655 80 04		Cable entry unit (35)-38 MM	2		2	
88	655 80 05		Cable entry unit (38)-41 MM	2		2	
88	655 80 06		Cable entry unit (41)-44 MM	2		2	
88	655 80 07		Cable entry unit (44)-47 MM	2		2	
88	655 80 06		Cable entry unit (41)-44 MM				2
101	650 51 00		Cable unit FLS10	1	1	1	1
103	663 04 00	(Ex)	Level sensor FLS10	1	1	1	1
105	608 53 01	(Ex)	Bearing holder	1	1		
105	608 53 00		Bearing holder			1	1
107	82 59 29		Retaining ring SGA 95	1	1	1	1
108	82 44 28		Supporting washer 95X115X3.5	2	2	2	2
109	83 30 28		Ball bearing 3319A-2Z/C3VT113	1	1	1	1
110	83 07 64		Retaining ring 7 3/4"	1	1	1	1
120	642 13 00		Plug	1	1	1	1
122	82 76 85		O-ring 17X3 NBR	1	1	1	1
122	82 79 15		O-ring 17X3 FPM	1		1	
122	82 79 15		O-ring 17X3 FPM	1	1	1	1
129	608 56 00		Seal housing cover	1	1	1	1
129	608 56 00		Seal housing cover	1		1	
130	82 78 84		O-ring 405.26X3.53 NBR	1	1	1	1
131	82 75 12		O-ring 479.3X5.7 NBR	1	1	1	1
131	82 81 52		O-ring 479.3X5.7 FPM	1		1	
131	82 81 52		O-ring 479.3X5.7 FPM	1	1	1	1
133	83 04 58		Hex.socket hd screw M16X60-A4-80	6	6	6	6

Pos. No	Part. No	Type	Denomination	Qty/Version			
				090	095	180	185
141	641 70 30		Mechanical seal WCCR/WCCR, ACTIVE	1	1	1	1
141	641 70 31		Mechanical seal WCCR/RSIC, ACTIVE	1	1	1	1
228	663 85 00		Connection plate	1	1	1	1
229	667 40 01		Sticker	2	2	2	2
231	93 00 77		Shrink hose ID=6.4 MM	*	*	*	*
231	93 00 78		Shrink hose ID=9.5 MM	*	*	*	*
231	93 00 81		Shrink hose ID 19.1	*	*	*	*
232	83 53 58		Terminal clamp WDU6/10	3	3	3	3
232	83 53 58		Terminal clamp WDU6/10			4	4
233	83 53 61		Terminal clamp WDU16,1000V	6		6	
233	83 53 61		Terminal clamp WDU16,1000V	8	8	8	8
233	83 53 17		Terminal clamp WDU35/IK/ZA	6	6	6	6
233	83 53 17		Terminal clamp WDU35/IK/ZA	8	8	8	8
233	83 53 62		Terminal clamp WEIDMÜLLER WDU 70N	8	8	8	8
234	83 53 67		Cross connection WQV16/2	3		3	
234	650 20 02		Cross connection WQV16/10	1		1	
234	83 53 67		Cross connection WQV16/2	4	4	4	4
234	83 53 49		Cross connection WQW35/2	3	3	3	3
234	650 20 03		Cross connection WQV35/10	1	1	1	1
234	83 53 49		Cross connection WQW35/2	4	4	4	4
234	83 53 63		Cross connection WEIDMÜLLER WQV 70N/2	4	4	4	4
235	83 53 54		End support WEW 35/2	2		2	
235	83 53 54		End support WEW 35/2	2	2	2	2
236	83 53 50		Partition	1	1	1	1

Pos. No	Part. No	Type	Denomination	Qty/Version			
				090	095	180	185
239	650 84 00		El.lead through unit Terminal board for 2 motor cables Terminal board motor cable: 70mm ² Max current range : 192 A Sealed stator housing Stator leads = 6 - 10 mm ² Terminal board for 1 motor cable Terminal board motor cable: 35mm ² Max current range : 125 A Sealed stator housing Stator leads = 6 - 10 mm ² Terminal board for 1 motor cable Terminal board motor cable: 16mm ² Max current range : 76 A Sealed stator housing Stator leads = 6 - 10 mm ² Terminal board for 1 motor cable Terminal board motor cable: 70mm ² Max current range : 192 A Sealed stator housing Stator leads = 6 - 10 mm ² Terminal board for 2 motor cables Terminal board motor cable: 35mm ² Max current range : 125 A Sealed stator housing Stator leads = 6 - 10 mm ² Terminal board for 2 motor cables Terminal board motor cable: 16mm ² Max current range : 76 A Sealed stator housing Stator leads = 6 - 10 mm ²	1		1	

Pos. No	Part. No	Type	Denomination	Qty/Version			
				090	095	180	185
239	650 84 00		El.lead through unit Terminal board for 2 motor cables Terminal board motor cable: 70mm2 Max current range : 192 A Sealed stator housing Stator leads = 6 - 10 mm2 Terminal board for 1 motor cable Terminal board motor cable: 35mm2 Max current range : 125 A Sealed stator housing Stator leads = 6 - 10 mm2 Terminal board for 1 motor cable Terminal board motor cable: 16mm2 Max current range : 76 A Sealed stator housing Stator leads = 6 - 10 mm2 Terminal board for 1 motor cable Terminal board motor cable: 70mm2 Max current range : 192 A Sealed stator housing Stator leads = 6 - 10 mm2 Terminal board for 2 motor cables Terminal board motor cable: 35mm2 Max current range : 125 A Sealed stator housing Stator leads = 6 - 10 mm2 Terminal board for 2 motor cables Terminal board motor cable: 16mm2 Max current range : 76 A Sealed stator housing Stator leads = 6 - 10 mm2	1	1	1	1
239	650 84 03		El.lead through unit Terminal board for 2 motor cables Terminal board motor cable: 35mm2 Max current range : 125 A Sealed stator housing Stator leads = 16 - 25 mm2 Terminal board for 2 motor cables Terminal board motor cable: 70mm2 Max current range : 192 A Sealed stator housing Stator leads = 16 - 25 mm2 Terminal board for 1 motor cable Terminal board motor cable: 70mm2 Max current range : 192 A Sealed stator housing Stator leads = 16 - 25 mm2 Terminal board for 1 motor cable Terminal board motor cable: 35mm2 Max current range : 125 A Sealed stator housing Stator leads = 16 - 25 mm2	1	1	1	1
240	607 48 05		Spring	1	1	1	1
241	82 75 04		O-ring 319.3X5.7 NBR	1	1	1	1
241	82 81 64		O-ring 319.3X5.7 FPM	1		1	
241	82 81 64		O-ring 319.3X5.7 FPM	1	1	1	1
242	608 54 01	(Ex)	Adapter	1	1		

Pos. No	Part. No	Type	Denomination	Qty/Version			
				090	095	180	185
242	608 55 11	(Ex)	Adapter Cooling jacket	1	1		
242	608 54 00		Adapter			1	1
242	608 55 10		Adapter Cooling jacket			1	1
243	83 04 61		Hex.socket hd screw M12X25-A4-80	2	2	2	2
245	82 75 12		O-ring 479.3X5.7 NBR	1	1	1	1
245	82 81 52		O-ring 479.3X5.7 FPM	1		1	
245	82 81 52		O-ring 479.3X5.7 FPM	1	1	1	1
246	82 78 84		O-ring 405.26X3.53 NBR	1	1	1	1
247	82 81 73		O-ring 149.3X5.7 FPM	1	1	1	1
251	642 13 00		Plug	2	2	2	2
252	82 76 85		O-ring 17X3 NBR	2	2	2	2
252	82 79 15		O-ring 17X3 FPM	2		2	
252	82 79 15		O-ring 17X3 FPM	2	2	2	2
253	608 58 00		Cooling jacket	1	1	1	1
254	608 57 00		Flow diffusor	1	1	1	1
256	608 44 00		Wire bow	4	4	4	4
257	82 44 38		Supporting washer 170X200X3.5	1	1	1	1
269	518 89 02		Leakage detect.unit (FLS)	1	1	1	1
270	608 31 00		Lock washer	1	1		
278	669 88 00		Vibration sensor VIS10, CABLE=1 M	1	1	1	1
279	82 23 32		Hexagon nut M8-A4-70	2	2	2	2
302	691 83 00		Connector unit INTENDED FOR "MAS"	1	1	1	1
313	82 81 59		O-ring 119.5X3 FPM	1	1	1	1
327	665 86 01		Detector	1	1	1	1
328	665 86 00		Thermal detectors PT100, 2-LEDARE 1500MM	1	1	1	1
329	718 81 00		Special washer	1	1	1	1
331	94 05 81		Insulating hose	*	*	*	*
335	83 53 77		Terminal clamp WPE 2,5 WS	1	1	1	1
335	83 53 77		Terminal clamp WPE 2,5 WS	1		1	
336	83 42 36		End sleeve 0.75 MM2; L=6 MM	2	2	2	2
336	83 42 36		End sleeve 0.75 MM2; L=6 MM	2		2	
338	82 40 61		Plain washer (10)-22 MM	1	1	1	1
339	84 17 90		Seal sleeve (10)-12 MM	1	1	1	1
339	84 17 92		Seal sleeve (14)-16 MM	1	1	1	1
339	84 17 94		Seal sleeve (18)-20 MM	1	1	1	1
339	84 17 95		Seal sleeve (20)-22 MM	1	1	1	1
340	678 58 12		Cable clip (10)-12 MM	1	1	1	1
340	678 58 16		Cable clip (14)-16 MM	1	1	1	1
340	678 58 20		Cable clip (18)-20 MM	1	1	1	1
340	678 58 22		Cable clip (20)-22 MM	1	1	1	1
341	633 11 01		Gland screw 1 1/4" ISO.FOR METAL HOSE	1		1	

Pos. No	Part. No	Type	Denomination	Qty/Version			
				090	095	180	185
341	633 11 01		Gland screw 1 1/4" ISO.FOR METAL HOSE	2		2	
341	633 11 05		Gland screw Thread : ISO G2	1		1	
341	633 11 05		Gland screw Thread : ISO G2	2		2	
341	633 11 04		Gland screw 1 1/2" NPT.FOR METAL HOSE	1		1	
341	633 11 04		Gland screw 1 1/2" NPT.FOR METAL HOSE	2		2	
341	633 11 06		Gland screw Thread : 2-11,5 NPT	1		1	
341	633 11 06		Gland screw Thread : 2-11,5 NPT	2		2	
341	633 11 01		Gland screw 1 1/4" ISO.FOR METAL HOSE	1	1	1	1
341	633 11 01		Gland screw 1 1/4" ISO.FOR METAL HOSE	2	2	2	2
341	633 11 05		Gland screw	1	1	1	1
341	633 11 05		Gland screw	2	2	2	2
341	633 11 04		Gland screw 1 1/2" NPT.FOR METAL HOSE	1	1	1	1
341	633 11 04		Gland screw 1 1/2" NPT.FOR METAL HOSE	2	2	2	2
341	633 11 06		Gland screw	1	1	1	1
341	633 11 06		Gland screw	2	2	2	2
912	82 76 85		O-ring 17X3 NBR	3	3	3	3
912	82 79 15		O-ring 17X3 FPM	3		3	
912	82 79 15		O-ring 17X3 FPM	3	3	3	3

3301.800/810/820/830

Pos. No	Part. No	Type	Denomination	Qty/Version			
				800	810	820	830
1	608 50 00		Lifting handle	1	1	1	1
2	83 04 58		Hex.socket hd screw M16X60-A4-80	2	2	2	2
7	83 45 52		Cable tie 292X3.5 MM	1	1	1	1
7	83 45 59		Cable tie 200X2.4 PA 6/6 -55+105	1	1	1	1
8	630 68 00		Data plate USE 6306801 AS SPARE PART	2	2	2	2
8	630 69 00		Certificate plate EN		2		2
8	630 70 00		Certificate plate FM		2		2
8	630 69 01	(Ex)	Certificate plate IECEX		2		2
9	773 29 00		Connection plate	1	1	1	1
9	83 93 50		Marking strip 5-GW(T1;T2;T15;T16)	1	1	1	1
9	83 93 50		Marking strip 5-GW(T1;T2;T15;T16)	1		1	
9	81 65 46		Marking plate	1	1	1	1
9	681 58 00		Plate SENSOR CONNECTED T1-T2	2	2	2	2
9	83 93 51		Marking strip W5;V5;U5;V2;W1;U2;V1;W2;U	1	1	1	1
10	82 20 88		Drive screw 4X5-A2/A4	4	4	4	4

Pos. No	Part. No	Type	Denomination	Qty/Version			
				800	810	820	830
11	82 00 11		Hex.socket hd screw M6X12-A2-70		2		2
13	642 16 00		Earthing plate		1		1
14	94 19 22		Control cable subcab 7X1,5 OD=15-17 MM	*	*	*	*
14	94 19 20		Control cable subcab 12X1.5 MM2 OD=18.2-21.2MM	*	*	*	*
14	94 19 30		Control cable s-flex 25X1.5 OD=19.4-21.4 MM	1	1	1	1
15	397 81 00	(Ex)	Gland screw FOR CABLE ENTRY	1	1	1	1
15	397 81 00	(Ex)	Gland screw FOR CABLE ENTRY	1		1	
23	94 20 56		Motor cable subcab	*	*		
23	94 19 82		Motor cable subcab	*	*	*	*
23	94 19 83		Motor cable subcab	*	*	*	*
23	94 19 84		Motor cable subcab	*	*	*	*
23	94 19 85		Motor cable subcab	*	*	*	*
23	94 19 86		Motor cable subcab	*	*	*	*
23	94 19 80		Motor cable subcab	*	*	*	*
23	94 19 81		Motor cable subcab	*	*	*	*
23	94 19 92		Motor cable subcab	*	*	*	*
23	94 19 93		Motor cable subcab	*	*	*	*
23	94 19 94		Motor cable subcab	*	*	*	*
23	94 19 95		Motor cable subcab	*	*	*	*
23	94 19 96		Motor cable subcab	*	*	*	*
23	94 19 97		Motor cable subcab	*	*	*	*
24	605 61 01	(Ex)	Entrance flange	1	1	1	1
24	605 61 01	(Ex)	Entrance flange	2	2	2	2
24	605 61 20		Entrance flange	1		1	
24	605 61 20		Entrance flange	2		2	
24	605 61 22		Entrance flange	1		1	
24	605 61 22		Entrance flange	2		2	
24	605 61 24		Entrance flange	1		1	
24	605 61 24		Entrance flange	2		2	
24	605 61 26		Entrance flange	1		1	
24	605 61 26		Entrance flange	2		2	
24	605 61 21	(Ex)	Entrance flange		1		1
24	605 61 21	(Ex)	Entrance flange		2		2
24	605 61 23	(Ex)	Entrance flange		1		1
24	605 61 23	(Ex)	Entrance flange		2		2
24	605 61 25	(Ex)	Entrance flange		1		1
24	605 61 25	(Ex)	Entrance flange		2		2
24	605 61 27	(Ex)	Entrance flange		1		1
24	605 61 27	(Ex)	Entrance flange		2		2
25	84 41 09		Plate 35 MM	1	1	1	1
25	433 47 06		Plate 70 MM	1	1	1	1
25	433 47 06		Plate 70 MM	2	2	2	2

Pos. No	Part. No	Type	Denomination	Qty/Version			
				800	810	820	830
25	433 47 06		Plate 70 MM	2	1	2	1
26	83 04 53		Hex.socket hd screw M12X45-A4-80	2	2	2	2
26	83 04 53		Hex.socket hd screw M12X45-A4-80	4	4	4	4
31	82 74 67		O-ring 69.5X3 NBR	1	1	1	1
31	82 74 67		O-ring 69.5X3 NBR	2	2	2	2
31	82 81 75		O-ring 69.5X3 FPM	1	1	1	1
31	82 81 75		O-ring 69.5X3 FPM	2	2	2	2
32	608 51 10		Entrance cover	1		1	
32	608 51 12		Entrance cover For motor cable x2	1		1	
32	608 51 14		Entrance cover Cable entry auxiliary cable	1		1	
32	608 51 16		Entrance cover Cable entry auxiliary cable For motor cable x2	1		1	
32	608 51 11	(Ex)	Entrance cover		1		1
32	608 51 13	(Ex)	Entrance cover For motor cable x2		1		1
32	608 51 15	(Ex)	Entrance cover Cable entry auxiliary cable		1		1
32	608 51 17	(Ex)	Entrance cover Cable entry auxiliary cable For motor cable x2		1		1
33	82 78 76		O-ring 370X5.7 NBR	1	1	1	1
33	82 95 77		O-ring 370X5.7 FLUOR	1	1	1	1
35	83 04 58		Hex.socket hd screw M16X60-A4-80	6	6	6	6
45	82 00 11		Hex.socket hd screw M6X12-A2-70	2	2	2	2
45	83 02 79		Hex.socket hd screw M6X25-A4-70	2	2	2	2
45	82 00 11		Hex.socket hd screw M6X12-A2-70	2		2	
46	82 35 73		Plain washer 6-A4-170	1	1	1	1
49	83 42 48		End sleeve H16/24	6	6	6	6
49	83 42 48		End sleeve H16/24	6		6	
49	83 42 48		End sleeve H16/24	3	3	3	3
49	83 42 49		End sleeve H25/30	3	3	3	3
49	83 42 50		End sleeve H35/30D	3	3	3	3
49	83 42 51		End sleeve H50/36	3	3	3	3
49	83 42 52		End sleeve H70/40	3	3	3	3
49	83 42 49		End sleeve H25/30	6	6	6	6
49	83 42 48		End sleeve H16/24	3	3		
49	83 42 51		End sleeve H50/36	6	6	6	6
51	83 42 62		Closed end splice 0.33-0.82(AWG 22-18) L=18	2	2	2	2
53	82 00 11		Hex.socket hd screw M6X12-A2-70	2	2	2	2
53	82 00 11		Hex.socket hd screw M6X12-A2-70	4	4	4	4
54	608 62 00		Rail	1	1	1	1
56	642 16 00		Earthing plate	1	1	1	1
56	605 73 00		Earthing plate	1	1	1	1
56	642 16 00		Earthing plate	2	2	2	2
58	82 92 77		Protective cap	1	1	1	1
60	82 56 26		Spring washer 119.5X100.5X1.2	1	1	1	1
61	83 30 21		Ball bearing 3311A-2Z/C3VT113	1	1	1	1

Pos. No	Part. No	Type	Denomination	Qty/Version			
				800	810	820	830
66	655 80 00		Cable entry unit (23)-26 MM	1			
69	716 04 02		Stator housing	1		1	
69	716 04 03	(Ex)	Stator housing		1		1
72	82 75 05		O-ring 339.3X5.7 NBR	1	1	1	1
72	82 75 23		O-ring 339.3X5.7 FPM	1	1	1	1
73	663 17 05		Shaft unit 35-35-4	1	1	1	1
73	663 17 04		Shaft unit 35-45-4	1	1	1	1
73	663 18 02		Shaft unit 35-45-6	1	1	1	1
73	663 18 04		Shaft unit 35-45-6	1	1	1	1
79	752 12 01	(Ex)	Stator 35-35-4i 50Hz 4-poles 380V-400V D 660V-690V Y P2=55kW 60Hz 4-poles 460V-480V D P2=63kW/85hp	1	1	1	1
79	752 12 02	(Ex)	Stator 35-35-4i 50Hz 4-poles 415V-440V D P2=55kW	1	1	1	1
79	752 12 04	(Ex)	Stator 35-35-4i 50Hz 4-poles 500V D P2=55kW 60Hz 4-poles 575V-600V D P2=63kW/85hp	1	1	1	1
79	752 12 07	(Ex)	Stator 35-35-4i 60Hz 4-poles 380V D P2=63kW/ 85hp	1		1	
79	752 11 01	(Ex)	Stator 35-45-4i 50Hz 4-poles 400V D 690V Y P2=70kW 60Hz 4-poles 460V-480V D P2=78kW/105hp	1	1	1	1
79	752 11 02	(Ex)	Stator 35-45-4i 50Hz 4-poles 415V-440V D P2=70kW	1	1	1	1
79	752 11 04	(Ex)	Stator 35-45-4i 50Hz 4-poles 500V D P2=70kW 60Hz 4-poles 575V-600V D P2=78kW/105hp	1	1	1	1
79	752 11 06	(Ex)	Stator 35-45-4i 60Hz 4-poles 380V D P2=78kW/ 105hp	1	1	1	
79	752 11 08	(Ex)	Stator 35-45-4i 50Hz 4-poles 380V D 660V Y P2=70kW 60Hz 4-poles 440V D P2=78kW/ 105hp	1	1	1	1
79	767 24 01	(Ex)	Stator 35-45-6k 50Hz 6-poles 380V-400V D 660V-690V Y P2=45kW 60Hz 6-poles 460V-480V D P2=52kW/70hp	1	1	1	1
79	767 24 02	(Ex)	Stator 35-45-6k 50Hz 6-poles 415V-440V D P2=45kW	1	1	1	1
79	767 24 04	(Ex)	Stator 35-45-6k 50Hz 6-poles 500V D P2=45kW 60Hz 6-poles 575V-600V D P2=52kW/70hp	1	1	1	1
79	767 24 08	(Ex)	Stator 35-45-6k 60Hz 6-poles 380V D 660V Y P2=52kW/70hp	1	1	1	
79	767 23 01	(Ex)	Stator 35-45-6i 50Hz 6-poles 400V D 690V Y P2=55kW 60Hz 6-poles 460V-480V D P2=63kW/85hp	1	1	1	1

Pos. No	Part. No	Type	Denomination	Qty/Version			
				800	810	820	830
79	767 23 02	(Ex)	Stator 35-45-6i 50Hz 6-poles 415V-440V D P2=55kW	1	1	1	1
79	767 23 04	(Ex)	Stator 35-45-6i 50Hz 6-poles 500V D P2=55kW 60Hz 6-poles 575V-600V D P2=63kW/85hp	1	1	1	1
79	767 23 06	(Ex)	Stator 35-45-6i 60Hz 6-poles 380V D P2=63kW/ 85hp	1	1	1	
79	767 23 08	(Ex)	Stator 35-45-6i 50Hz 6-poles 380V D 660V Y P2=55kW 60Hz 6-poles 440V D P2=63kW/ 85hp	1	1	1	1
79	752 14 02		Stator 35-35-4i 50Hz 4-poles 415V-440V D P2=55kW Termistor	1		1	
79	752 13 02		Stator 35-45-4i 50Hz 4-poles 415V-440V D P2=70kW Termistor	1		1	
79	767 26 02		Stator 35-45-6k 50Hz 6-poles 415V-440V D P2=45kW Termistor	1		1	
79	767 25 02		Stator 35-45-6i 50Hz 6-poles 415V-440V D P2=55kW Termistor	1		1	
82	716 03 01		Cooling jacket	1	1	1	1
83	82 75 02		O-ring 289.3X5.7 NBR	1	1	1	1
83	82 81 51		O-ring 289.3X5.7 FPM	1	1	1	1
84	82 75 12		O-ring 479.3X5.7 NBR	1	1	1	1
84	82 81 52		O-ring 479.3X5.7 FPM	1	1	1	1
88	655 80 00		Cable entry unit (23)-26 MM	1	1		
88	655 80 01		Cable entry unit (26)-29 MM	1	1	1	1
88	655 80 03		Cable entry unit (32)-35 MM	1	1	1	1
88	655 80 04		Cable entry unit (35)-38 MM	1	1	1	1
88	655 80 05		Cable entry unit (38)-41 MM	1	1	1	1
88	655 80 00		Cable entry unit (23)-26 MM	1	1	1	1
88	655 80 00		Cable entry unit (23)-26 MM	2	2	2	2
88	655 80 01		Cable entry unit (26)-29 MM	2	2	2	2
88	655 80 03		Cable entry unit (32)-35 MM	2	2	2	2
88	655 80 04		Cable entry unit (35)-38 MM	2	2	2	2
88	655 80 02		Cable entry unit (29)-32 MM	1	1	1	1
88	655 80 06		Cable entry unit (41)-44 MM	1	1	1	1
88	655 80 07		Cable entry unit (44)-47 MM	1	1	1	1
88	655 80 02		Cable entry unit (29)-32 MM	2	2	2	2
88	655 80 05		Cable entry unit (38)-41 MM	2	2		
88	655 80 06		Cable entry unit (41)-44 MM	2	2		
88	655 80 07		Cable entry unit (44)-47 MM	2	2		
101	650 51 01		Cable unit	1	1	1	1
101	650 51 01		Cable unit	1		1	
103	663 04 00	(Ex)	Level sensor FLS10	1	1	1	1
103	663 04 00	(Ex)	Level sensor FLS10	1		1	
105	608 53 00		Bearing holder	1		1	
105	608 53 01	(Ex)	Bearing holder		1		1

Pos. No	Part. No	Type	Denomination	Qty/Version			
				800	810	820	830
107	82 59 29		Retaining ring SGA 95	1	1	1	1
108	82 44 28		Supporting washer 95X115X3.5	2	2	2	2
109	83 30 28		Ball bearing 3319A-2Z/C3VT113	1	1	1	1
110	83 07 64		Retaining ring 7 3/4"	1	1	1	1
120	642 13 00		Plug	1	1	1	1
122	82 76 85		O-ring 17X3 NBR	1	1	1	1
122	82 79 15		O-ring 17X3 FPM	1	1	1	1
129	608 56 00		Seal housing cover	1	1	1	1
130	82 78 84		O-ring 405.26X3.53 NBR	1	1	1	1
131	82 75 12		O-ring 479.3X5.7 NBR	1	1	1	1
131	82 81 52		O-ring 479.3X5.7 FPM	1	1	1	1
133	83 04 58		Hex.socket hd screw M16X60-A4-80	6	6	6	6
141	641 70 30		Mechanical seal WCCR/WCCR, ACTIVE	1	1	1	1
141	641 70 31		Mechanical seal WCCR/RSIC, ACTIVE	1	1	1	1
141	641 70 30		Mechanical seal WCCR/WCCR, ACTIVE		1		1
141	641 70 31		Mechanical seal WCCR/RSIC, ACTIVE		1		1
228	663 85 00		Connection plate	1	1	1	1
229	667 40 01		Sticker	2	2	2	2
231	93 00 77		Shrink hose ID=6.4 MM	*	*	*	*
231	93 00 78		Shrink hose ID=9.5 MM	*	*	*	*
231	94 19 93		Motor cable subcab	*			
231	93 00 81		Shrink hose ID 19.1	*	*	*	*
232	83 53 58		Terminal clamp WDU6/10	3	3	3	3
232	83 53 58		Terminal clamp WDU6/10	4		4	
233	83 53 61		Terminal clamp WDU16,1000V	6	6		
233	83 53 61		Terminal clamp WDU16,1000V	8	8	8	8
233	83 53 17		Terminal clamp WDU35/IK/ZA	6	6	6	6
233	83 53 17		Terminal clamp WDU35/IK/ZA	8	8	8	8
233	83 53 62		Terminal clamp WEIDMÜLLER WDU 70N	8	8	8	8
234	83 53 67		Cross connection WQV16/2	3	3		
234	650 20 02		Cross connection WQV16/10	1	1		
234	83 53 67		Cross connection WQV16/2	4	4	4	4
234	83 53 49		Cross connection WQW35/2	3	3	3	3
234	650 20 03		Cross connection WQV35/10	1	1	1	1
234	83 53 49		Cross connection WQW35/2	4	4	4	4
234	83 53 63		Cross connection WEIDMÜLLER WQV 70N/2	4	4	4	4
235	83 53 54		End support WEW 35/2	2	2	2	2
236	83 53 50		Partition	1	1	1	1
239	650 84 00		El.lead through unit	1	1	1	1
239	650 84 00		El.lead through unit		2	2	2
239	650 84 03		El.lead through unit	2	2	2	2

Pos. No	Part. No	Type	Denomination	Qty/Version			
				800	810	820	830
240	607 48 05		Spring	1	1	1	1
241	82 75 04		O-ring 319.3X5.7 NBR	1	1	1	1
241	82 81 64		O-ring 319.3X5.7 FPM	1	1	1	1
242	608 54 00		Adapter	1		1	
242	608 55 10		Adapter Cooling jacket	1		1	
242	608 54 01	(Ex)	Adapter		1		1
242	608 55 11	(Ex)	Adapter Cooling jacket		1		1
243	83 04 61		Hex.socket hd screw M12X25-A4-80	2	2	2	2
245	82 75 12		O-ring 479.3X5.7 NBR	1	1	1	1
245	82 81 52		O-ring 479.3X5.7 FPM	1	1	1	1
246	82 78 84		O-ring 405.26X3.53 NBR	1	1	1	1
247	82 81 73		O-ring 149.3X5.7 FPM	1	1	1	1
247	82 81 73		O-ring 149.3X5.7 FPM		1		1
251	642 13 00		Plug	2	2	2	2
252	82 76 85		O-ring 17X3 NBR	2	2	2	2
252	82 79 15		O-ring 17X3 FPM	2	2	2	2
253	608 58 00		Cooling jacket	1	1	1	1
254	608 57 00		Flow diffusor	1	1	1	1
256	608 44 00		Wire bow	4	4	4	4
257	82 44 38		Supporting washer 170X200X3.5	1	1	1	1
267	725 07 00		Plug	4	4	4	4
269	518 89 02		Leakage detect.unit (FLS)	1	1	1	1
278	669 88 00		Vibration sensor VIS10, CABLE=1 M	1	1	1	1
279	82 23 32		Hexagon nut M8-A4-70	2	2	2	2
302	691 83 00		Connector unit INTENDED FOR "MAS"	1	1	1	1
313	82 81 59		O-ring 119.5X3 FPM	1	1	1	1
327	665 86 01		Detector	1	1	1	1
328	665 86 00		Thermal detectors PT100, 2-LEDARE 1500MM	1	1	1	1
329	718 81 00		Special washer	1	1	1	1
331	94 05 81		Insulating hose	*	*	*	*
334	82 35 73		Plain washer 6-A4-170	4	4	4	4
334	82 35 73		Plain washer 6-A4-170	4	1	4	1
334	82 35 73		Plain washer 6-A4-170	4		4	
335	83 53 77		Terminal clamp WPE 2,5 WS	1	1	1	1
336	83 42 36		End sleeve 0.75 MM2; L=6 MM	2	2	2	2
338	82 40 61		Plain washer (10)-22 MM	1	1	1	1
338	82 40 61		Plain washer (10)-22 MM	1		1	
339	84 17 90		Seal sleeve (10)-12 MM	1	1	1	1
339	84 17 92		Seal sleeve (14)-16 MM	1	1	1	1
339	84 17 94		Seal sleeve (18)-20 MM	1	1	1	1
339	84 17 95		Seal sleeve (20)-22 MM	1	1	1	1
339	84 17 92		Seal sleeve (14)-16 MM	1		1	
340	678 58 12		Cable clip (10)-12 MM	1	1	1	1

Pos. No	Part. No	Type	Denomination	Qty/Version			
				800	810	820	830
340	678 58 16		Cable clip (14)-16 MM	1	1	1	1
340	678 58 20		Cable clip (18)-20 MM	1	1	1	1
340	678 58 22		Cable clip (20)-22 MM	1	1	1	1
340	678 58 16		Cable clip (14)-16 MM	1		1	
341	633 11 01		Gland screw 1 1/4" ISO.FOR METAL HOSE	1	1	1	1
341	633 11 01		Gland screw 1 1/4" ISO.FOR METAL HOSE	2	2	2	2
341	633 11 05		Gland screw Thread : ISO G2	1	1	1	1
341	633 11 05		Gland screw Thread : ISO G2	2	2	2	2
341	633 11 04		Gland screw 1 1/2" NPT.FOR METAL HOSE	1	1	1	1
341	633 11 04		Gland screw 1 1/2" NPT.FOR METAL HOSE	2	2	2	2
341	633 11 06		Gland screw Thread : 2-11,5 NPT	1	1	1	1
341	633 11 06		Gland screw Thread : 2-11,5 NPT	2	2	2	2
912	82 76 85		O-ring 17X3 NBR	3	3	3	3
912	82 79 15		O-ring 17X3 FPM	3	3	3	3

3301.660/670/860/870

Pos. No	Part. No	Type	Denomination	Qty/Version			
				660	670	860	870
1	608 50 00		Lifting handle	1	1	1	1
1	82 41 36		Plain washer 46.5X70X2-A2-70	4	4	4	4
1	82 41 39		Plain washer 54.5X70X2-A2-70	4	4	4	4
2	83 04 58		Hex.socket hd screw M16X60-A4-80	2	2	2	2
2	84 19 29		Seal sleeve	2	2	2	2
2	84 19 30		Seal sleeve	2	2	2	2
2	84 19 32		Seal sleeve	2	2	2	2
2	84 19 33		Seal sleeve	2	2	2	2
2	84 19 34		Seal sleeve	2	2	2	2
2	84 19 31		Seal sleeve	2	2	2	2
2	84 19 35		Seal sleeve	2	2	2	2
2	84 19 36		Seal sleeve	2	2	2	2
3	611 14 01		Ring	1	1	1	1
7	83 45 52		Cable tie 292X3.5 MM	1	1	1	1
7	83 45 59		Cable tie 200X2.4 PA 6/6 -55+105	1	1	1	1
8	630 68 00		Data plate USE 6306801 AS SPARE PART	2	2	2	2
8	630 76 00		Plate HOT WATER PRODUCT	1			
8	630 69 00		Certificate plate EN		2		2
8	630 70 00		Certificate plate FM		2		2
8	630 69 01	(Ex)	Certificate plate IECEX		2		2
9	773 29 00		Connection plate	1	1	1	1
9	83 93 50		Marking strip 5-GW(T1;T2;T15;T16)	1	1	1	1

Pos. No	Part. No	Type	Denomination	Qty/Version			
				660	670	860	870
9	83 93 50		Marking strip 5-GW(T1;T2;T15;T16)	1		1	
9	81 65 46		Marking plate	1	1	1	1
9	681 58 00		Plate SENSOR CONNECTED T1-T2	2	2	2	2
9	83 93 51		Marking strip W5;V5;U5;V2;W1;U2;V1;W2;U	1	1	1	1
10	82 20 88		Drive screw 4X5-A2/A4	4	4	4	4
11	82 00 11		Hex.socket hd screw M6X12-A2-70		2		2
13	642 16 00		Earthing plate		1		1
14	94 19 22		Control cable subcab 7X1,5 OD=15-17 MM	*	*	*	*
14	94 19 20		Control cable subcab 12X1.5 MM2 OD=18.2-21.2MM	*	*	*	*
14	94 19 30		Control cable s-flex 25X1.5 OD=19.4-21.4 MM	1	1	1	1
		Optional					
15	397 81 00	(Ex)	Gland screw FOR CABLE ENTRY	1	1	1	1
15	397 81 00	(Ex)	Gland screw FOR CABLE ENTRY	1		1	
23	94 20 56		Motor cable subcab	*	*	*	*
			SUBCAB 4G6+2x1,5				
23	94 19 81		Motor cable subcab	*	*	*	*
			SUBCAB 4G10+S(2x0,5)				
23	94 19 82		Motor cable subcab	*	*	*	*
			SUBCAB 4G16+S(2x0,5)				
23	94 19 83		Motor cable subcab	*	*	*	*
			SUBCAB 4G25+S(2x0,5)				
23	94 19 84		Motor cable subcab	*	*	*	*
			SUBCAB 4G35+S(2x0,5)				
23	94 19 85		Motor cable subcab	*	*	*	*
			SUBCAB 3x50+2G35/2+S(2x0,5)				
23	94 19 86		Motor cable subcab	*	*	*	*
			SUBCAB 3x70+2G35/2+S(2x0,5)				
23	94 19 80		Motor cable subcab	*	*	*	*
			SUBCAB 7G6+S(2x0,5)				
23	94 19 92		Motor cable subcab	*	*	*	*
			SUBCAB S3x10+3x10/3+S(4x0,5)				
23	94 19 93		Motor cable subcab	*	*	*	*
			SUBCAB S3x16+3x16/3+S(4x0,5)				
23	94 19 94		Motor cable subcab	*	*	*	*
			SUBCAB S3x25+3x16/3+S(4x0,5)				
23	94 19 95		Motor cable subcab	*	*	*	*
			SUBCAB S3x35+3x16/3+S(4x0,5)				
23	94 19 96		Motor cable subcab	*	*	*	*
			SUBCAB S3x50+3x25/3+S(4x0,5)				
23	94 19 97		Motor cable subcab	*	*	*	*
			SUBCAB S3x70+3x35/3+2S(2x0,5)				
24	605 61 01	(Ex)	Entrance flange	1	1	1	1
24	605 61 01	(Ex)	Entrance flange	2	2	2	2
24	605 61 20		Entrance flange	1		1	
24	605 61 20		Entrance flange	2		2	
24	605 61 22		Entrance flange	1		1	
24	605 61 22		Entrance flange	2		2	
24	605 61 24		Entrance flange	1		1	
24	605 61 24		Entrance flange	2		2	
24	605 61 26		Entrance flange	1		1	
24	605 61 26		Entrance flange	2		2	
24	605 61 21	(Ex)	Entrance flange		1		1
24	605 61 21	(Ex)	Entrance flange		2		2
24	605 61 23	(Ex)	Entrance flange		1		1
24	605 61 23	(Ex)	Entrance flange		2		2
24	605 61 25	(Ex)	Entrance flange		1		1

Pos. No	Part. No	Type	Denomination	Qty/Version			
				660	670	860	870
24	605 61 25	(Ex)	Entrance flange		2		2
24	605 61 27	(Ex)	Entrance flange		1		1
24	605 61 27	(Ex)	Entrance flange		2		2
25	433 47 06		Plate 70 MM	1	1	1	1
25	433 47 06		Plate 70 MM	2	2	2	2
25	433 47 06		Plate 70 MM	2	1	2	1
25	84 41 09		Plate 35 MM	1	1	1	1
26	83 04 53		Hex.socket hd screw M12X45-A4-80	2	2	2	2
26	83 04 53		Hex.socket hd screw M12X45-A4-80	4	4	4	4
31	82 74 67		O-ring 69.5X3 NBR	1	1	1	1
31	82 74 67		O-ring 69.5X3 NBR	2	2	2	2
31	82 81 75		O-ring 69.5X3 FPM	1	1	1	1
31	82 81 75		O-ring 69.5X3 FPM	2	2	2	2
32	608 51 10		Entrance cover	1		1	
32	608 51 12		Entrance cover			1	
32	608 51 14		Entrance cover			1	
32	608 51 16		Entrance cover	1		1	
32	608 51 11	(Ex)	Entrance cover		1		1
32	608 51 13	(Ex)	Entrance cover		1		1
32	608 51 15	(Ex)	Entrance cover		1		1
32	608 51 17	(Ex)	Entrance cover		1		1
33	82 78 76		O-ring 370X5.7 NBR	1	1	1	1
33	82 95 77		O-ring 370X5.7 FLUOR	1	1	1	1
35	83 04 58		Hex.socket hd screw M16X60-A4-80	6	6	6	6
45	82 00 11		Hex.socket hd screw M6X12-A2-70	2	2	2	2
45	83 02 79		Hex.socket hd screw M6X25-A4-70	2	2	2	2
45	82 00 11		Hex.socket hd screw M6X12-A2-70	2		2	
46	82 35 73		Plain washer 6-A4-170	1	1	1	1
49	83 42 48		End sleeve H16/24	6	6	6	6
49	83 42 48		End sleeve H16/24	6	6		
49	83 42 48		End sleeve H16/24	6		6	
49	83 42 48		End sleeve H16/24	3	3	3	3
49	83 42 49		End sleeve H25/30	3	3	3	3
49	83 42 50		End sleeve H35/30D	3	3	3	3
49	83 42 51		End sleeve H50/36	3	3	3	3
49	83 42 52		End sleeve H70/40	3	3	3	3
49	83 42 49		End sleeve H25/30	6	6	6	6
49	83 42 51		End sleeve H50/36	6	6	6	6
49	83 42 49		End sleeve H25/30	3			3
51	83 42 62		Closed end splice 0.33-0.82(AWG 22-18) L=18	2	2	2	2
53	82 00 11		Hex.socket hd screw M6X12-A2-70	2	2	2	2
53	82 00 11		Hex.socket hd screw M6X12-A2-70	4	4	4	4

Pos. No	Part. No	Type	Denomination	Qty/Version			
				660	670	860	870
54	608 62 00		Rail	1	1	1	1
56	642 16 00		Earthing plate	1	1	1	1
56	605 73 00		Earthing plate	1	1	1	1
56	605 73 00		Earthing plate	1	1	1	1
56	642 16 00		Earthing plate	2	2	2	2
58	82 92 77		Protective cap	1	1	1	1
60	82 56 26		Spring washer 119.5X100.5X1.2	1	1	1	1
61	83 30 21		Ball bearing 3311A-2Z/C3VT113	1	1	1	1
66	655 80 00		Cable entry unit (23)-26 MM			1	
	66,1 82 41 36		Plain washer 46.5X70X2-A2-70			4	
	66,2 84 19 29		Seal sleeve			2	
	66,3 611 14 01		Ring			1	
69	608 52 00		Stator housing	1			
69	608 52 01	(Ex)	Stator housing		1		
69	716 04 02		Stator housing			1	
69	716 04 03	(Ex)	Stator housing				1
72	82 75 05		O-ring 339.3X5.7 NBR	1	1	1	1
72	82 75 23		O-ring 339.3X5.7 FPM	1	1	1	1
73	663 17 01		Shaft unit	1	1		
73	663 17 00		Shaft unit	1	1		
73	663 18 01		Shaft unit	1	1		
73	663 18 00		Shaft unit	1	1		
73	663 19 00		Shaft unit	1	1		
73	663 17 05		Shaft unit			1	
73	663 17 04		Shaft unit			1	1
73	663 18 02		Shaft unit			1	1
73	663 18 04		Shaft unit			1	1
79	642 31 01		Stator 35-25-4a	1	1		
			50Hz 4-poles 380V-400V D 660V-690V Y P2=55kW 60Hz 4-poles 440V-460V D P1=60KW				
			50Hz 4-poles 380V-400V D 660V-690V Y P1=51KW 60Hz 4-poles 440V-460V D P2=63kW/85hp				
79	642 31 02		Stator 35-25-4a	1	1		
			50Hz 4-poles 415V-440V D P2=55kW 50Hz 4-poles 415V-440V D P1=51KW				
79	642 31 04		Stator 35-25-4a	1	1		
			50Hz 4-poles 500V D P2=55kW 60Hz 4-poles 575V-600V D P1=60KW 50Hz 4-poles 500V D P1=51KW 60Hz 4-poles 575V-600V D P2=63kW/85hp				

Pos. No	Part. No	Type	Denomination	Qty/Version			
				660	670	860	870
79	642 31 07		Stator 35-25-4a 60Hz 4-poles 380V D P1=60KW 60Hz 4-poles 380V D P2=63kW/ 85hp	1	1		
79	663 80 01		Stator 35-29-4a 50Hz 4-poles 400V D 690V Y P2=70kW 60Hz 4-poles 460V-480V D P1=72KW 50Hz 4-poles 400V D 690V Y P1=59KW 60Hz 4-poles 460V-480V D P2=78kW/105hp	1	1		
79	663 80 02		Stator 35-29-4a 50Hz 4-poles 415V-440V D P2=70kW 50Hz 4-poles 415V-440V D P1=59KW	1	1		
79	663 80 04		Stator 35-29-4a 50Hz 4-poles 500V D P2=70kW 60Hz 4-poles 575V-600V D P1=71KW 50Hz 4-poles 500V D P1=59KW 60Hz 4-poles 575V-600V D P2=78kW/105hp	1	1		
79	663 80 06	(Ex)	Stator 35-29-4a 60Hz 4-poles 380V-400V D P1=71KW 60Hz 4-poles 380V-400V D P2=78kW/105hp	1	1		
79	663 80 08		Stator 35-29-4a 50Hz 4-poles 380V D 660V Y P2=70kW 60Hz 4-poles 415V-440V D Max P1=72KW 50Hz 4-poles 380V D 660V Y P1=59KW 60Hz 4-poles 415V-440V D P2=78kW/105hp	1	1		
79	654 81 01		Stator 35-25-6a 50Hz 6-poles 380V-400V D 660V-690V Y P2=45kW 60Hz 6-poles 440V-460V D Max P1=47KW 50Hz 6-poles 380V-400V D 660V-690V Y Max P1=40KW 60Hz 6-poles 440V-460V D P2=52kW/70hp	1	1		
79	654 81 02		Stator 35-25-6a 50Hz 6-poles 415V-440V D P2=45kW 50Hz 6-poles 415V-440V D Max P1=40KW	1	1		
79	654 81 04		Stator 35-25-6a 50Hz 6-poles 500V D P2=45kW 60Hz 6-poles 575V-600V D P1=47KW 50Hz 6-poles 500V D P1=39KW 60Hz 6-poles 575V-600V D P2=52kW/70hp	1	1		

Pos. No	Part. No	Type	Denomination	Qty/Version			
				660	670	860	870
79	654 81 06		Stator 35-25-6a 60Hz 6-poles 380V D 660V Y P1=47KW 60Hz 6-poles 380V D 660V Y P2=52kW/70hp	1	1		
79	654 82 01		Stator 35-29-6a 50Hz 6-poles 400V D 690V Y P2=55kW 60Hz 6-poles 460V D P1=55KW 50Hz 6-poles 400V D 690V Y P1=46KW 60Hz 6-poles 460V D P2=63kW/ 85hp	1	1		
79	654 82 02		Stator 35-29-6a 50Hz 6-poles 415V-440V D P2=55kW 50Hz 6-poles 415V-440V D P1=46KW	1	1		
79	654 82 04		Stator 35-29-6a 50Hz 6-poles 500V D P2=55kW 60Hz 6-poles 575V-600V D P1=55KW 50Hz 6-poles 500V D P1=46KW 60Hz 6-poles 575V-600V D P2=63kW/85hp	1	1		
79	654 82 06		Stator 35-29-6a 60Hz 6-poles 380V D P1=55KW 60Hz 6-poles 380V D P2=63kW/ 85hp	1	1		
79	654 82 08		Stator 35-29-6a 50Hz 6-poles 380V D 660V Y P2=55kW 60Hz 6-poles 415V-440V D Max P1=55KW 50Hz 6-poles 380V D 660V Y P1=46KW 60Hz 6-poles 415V-440V D P2=63kW/85hp	1	1		
79	666 31 01		Stator 35-29-8a 50Hz 8-poles 400V D 690V Y P2=37kW 60Hz 8-poles 460V D P1=34KW 50Hz 8-poles 400V D 690V Y P1=29KW 60Hz 8-poles 460V D P2=45kW/ 60hp	1	1		
79	666 31 02		Stator 35-29-8a 50Hz 8-poles 415V-440V D P2=37kW 50Hz 8-poles 415V-440V D P1=29KW	1	1		
79	666 31 04		Stator 35-29-8a 50Hz 8-poles 500V D P2=37kW 60Hz 8-poles 575V-600V D P1=34KW 50Hz 8-poles 500V D P1=29KW 60Hz 8-poles 575V-600V D P2=45kW/60hp	1	1		

Pos. No	Part. No	Type	Denomination	Qty/Version			
				660	670	860	870
79	666 31 06		Stator 35-29-8a 60Hz 8-poles 380V D P1=34KW 60Hz 8-poles 380V D P2=45kW/ 60hp	1	1		
79	666 31 08		Stator 35-29-8a 50Hz 8-poles 380V D 660V Y P2=37kW 60Hz 8-poles 440V D P1=34KW 50Hz 8-poles 380V D 660V Y P1=29KW 60Hz 8-poles 440V D P2=45kW/ 60hp	1	1		
79	679 27 02		Stator 35-25-4a 50Hz 4-poles 415V-440V D P2=55kW Thermistor 50Hz 4-poles 415V-440V D P1=51KW Thermistor	1			
79	679 28 02		Stator 35-29-4a 50Hz 4-poles 415V-440V D P2=70kW Thermistor 50Hz 4-poles 415V-440V D P1=59KW Thermistor	1			
79	679 29 02		Stator 35-25-6a 50Hz 6-poles 415V-440V D P2=45kW Thermistor 50Hz 6-poles 415V-440V D Max P1=40KW Thermistor	1			
79	679 30 02		Stator 35-29-6a 50Hz 6-poles 415V-440V D P2=55kW Thermistor 50Hz 6-poles 415V-440V D P1=46KW Thermistor	1			
79	679 31 02		Stator 35-29-8a 50Hz 8-poles 415V-440V D P2=37kW 50Hz 8-poles 415V-440V D P1=29KW	1			
79	752 12 01	(Ex)	Stator 35-35-4i 50Hz 4-poles 380V-400V D 660V-690V Y P2=55kW 60Hz 4-poles 460V-480V D P2=63kW/85hp			1	
79	752 12 02	(Ex)	Stator 35-35-4i 50Hz 4-poles 415V-440V D P2=55kW			1	
79	752 12 04	(Ex)	Stator 35-35-4i 50Hz 4-poles 500V D P2=55kW 60Hz 4-poles 575V-600V D P2=63kW/85hp			1	
79	752 12 07	(Ex)	Stator 35-35-4i 60Hz 4-poles 380V D P2=63kW/ 85hp			1	
79	752 11 01	(Ex)	Stator 35-45-4i 50Hz 4-poles 400V D 690V Y P2=70kW 60Hz 4-poles 460V-480V D P2=78kW/105hp			1	1
79	752 11 02	(Ex)	Stator 35-45-4i 50Hz 4-poles 415V-440V D P2=70kW			1	1
79	752 11 04	(Ex)	Stator 35-45-4i 50Hz 4-poles 500V D P2=70kW 60Hz 4-poles 575V-600V D P2=78kW/105hp			1	1

Pos. No	Part. No	Type	Denomination	Qty/Version			
				660	670	860	870
79	752 11 06	(Ex)	Stator 35-45-4i 60Hz 4-poles 380V D P2=78kW/ 105hp			1	1
79	752 11 08	(Ex)	Stator 35-45-4i 50Hz 4-poles 380V D 660V Y P2=70kW 60Hz 4-poles 440V D P2=78kW/ 105hp			1	1
79	767 24 01	(Ex)	Stator 35-45-6k 50Hz 6-poles 380V-400V D 660V-690V Y P2=45kW 60Hz 6-poles 460V-480V D P2=52kW/70hp			1	1
79	767 24 02	(Ex)	Stator 35-45-6k 50Hz 6-poles 415V-440V D P2=45kW			1	1
79	767 24 04	(Ex)	Stator 35-45-6k 50Hz 6-poles 500V D P2=45kW 60Hz 6-poles 575V-600V D P2=52kW/70hp			1	1
79	767 24 08	(Ex)	Stator 35-45-6k 60Hz 6-poles 380V D 660V Y P2=52kW/70hp			1	1
79	767 23 01	(Ex)	Stator 35-45-6i 50Hz 6-poles 400V D 690V Y P2=55kW 60Hz 6-poles 460V-480V D P2=63kW/85hp			1	1
79	767 23 02	(Ex)	Stator 35-45-6i 50Hz 6-poles 415V-440V D P2=55kW			1	1
79	767 23 04	(Ex)	Stator 35-45-6i 50Hz 6-poles 500V D P2=55kW 60Hz 6-poles 575V-600V D P2=63kW/85hp			1	1
79	767 23 06	(Ex)	Stator 35-45-6i 60Hz 6-poles 380V D P2=63kW/ 85hp			1	1
79	767 23 08	(Ex)	Stator 35-45-6i 50Hz 6-poles 380V D 660V Y P2=55kW 60Hz 6-poles 440V D P2=63kW/ 85hp			1	1
79	752 14 02		Stator 35-35-4i 50Hz 4-poles 415V-440V D P2=55kW Thermistor			1	
79	752 13 02		Stator 35-45-4i 50Hz 4-poles 415V-440V D P2=70kW Thermistor			1	
79	767 26 02		Stator 35-45-6k 50Hz 6-poles 415V-440V D P2=45kW Thermistor			1	
79	767 25 02		Stator 35-45-6i 50Hz 6-poles 415V-440V D P2=55kW Thermistor			1	
82	608 59 00		Cooling jacket Material:Steel	1	1		
82	608 59 01		Cooling jacket STAINLESS STEEL (ASTM329)	1	1		
82	716 03 01		Cooling jacket Material:stainless steel (ASTM 316L)			1	1
83	82 75 02		O-ring 289.3X5.7 NBR	1	1	1	1
83	82 81 51		O-ring 289.3X5.7 FPM	1	1	1	1
84	82 75 12		O-ring 479.3X5.7 NBR	1	1	1	1
84	82 81 52		O-ring 479.3X5.7 FPM	1	1	1	1
88	655 80 00		Cable entry unit (23)-26 MM	1	1	1	1
88	655 80 01		Cable entry unit (26)-29 MM	1	1	1	1

Pos. No	Part. No	Type	Denomination	Qty/Version			
				660	670	860	870
88	655 80 03		Cable entry unit (32)-35 MM	1	1	1	1
88	655 80 04		Cable entry unit (35)-38 MM	1	1	1	1
88	655 80 05		Cable entry unit (38)-41 MM	1	1	1	1
88	655 80 00		Cable entry unit (23)-26 MM	2	2	2	2
88	655 80 01		Cable entry unit (26)-29 MM	2	2	2	2
88	655 80 03		Cable entry unit (32)-35 MM	2	2	2	2
88	655 80 04		Cable entry unit (35)-38 MM	2	2	2	2
88	655 80 00		Cable entry unit (23)-26 MM	1	1		1
88	655 80 02		Cable entry unit (29)-32 MM	1	1	1	1
88	655 80 06		Cable entry unit (41)-44 MM	1	1	1	1
88	655 80 07		Cable entry unit (44)-47 MM	1	1	1	1
88	655 80 02		Cable entry unit (29)-32 MM	2	2	2	2
88	655 80 05		Cable entry unit (38)-41 MM	2	2	2	2
88	655 80 06		Cable entry unit (41)-44 MM	2	2	2	2
88	655 80 07		Cable entry unit (44)-47 MM	2	2	2	2
101	650 51 00		Cable unit FLS10	1	1		
101	650 51 01		Cable unit			1	1
103	663 04 00	(Ex)	Level sensor FLS10	1	1	1	1
103	663 04 00	(Ex)	Level sensor FLS10	1		1	
105	608 53 00		Bearing holder	1		1	
105	608 53 01	(Ex)	Bearing holder		1		1
107	82 59 29		Retaining ring SGA 95	1	1	1	1
108	82 44 28		Supporting washer 95X115X3.5	2	2	2	2
109	83 30 28		Ball bearing 3319A-2Z/C3VT113	1	1	1	1
110	83 07 64		Retaining ring 7 3/4"	1	1	1	1
120	642 13 00		Plug	1	1	1	1
122	82 76 85		O-ring 17X3 NBR	1	1	1	1
122	82 79 15		O-ring 17X3 FPM	1	1	1	1
129	608 56 00		Seal housing cover	1	1	1	1
130	82 78 84		O-ring 405.26X3.53 NBR	1	1	1	1
131	82 75 12		O-ring 479.3X5.7 NBR	1	1	1	1
131	82 81 52		O-ring 479.3X5.7 FPM	1	1	1	1
133	83 04 58		Hex.socket hd screw M16X60-A4-80	6	6	6	6
141	641 70 30		Mechanical seal WCCR/WCCR, ACTIVE	1	1	1	1
141	641 70 31		Mechanical seal WCCR/RSIC, ACTIVE	1	1	1	1
141	641 70 30		Mechanical seal WCCR/WCCR, ACTIVE	1			
141	641 70 31		Mechanical seal WCCR/RSIC, ACTIVE	1			
141	641 70 30		Mechanical seal WCCR/WCCR, ACTIVE		1		1
141	641 70 31		Mechanical seal WCCR/RSIC, ACTIVE		1		1
228	663 85 00		Connection plate			1	1
229	667 40 01		Sticker	2	2	2	2
231	93 00 77		Shrink hose ID=6.4 MM	*	*	*	*

Pos. No	Part. No	Type	Denomination	Qty/Version			
				660	670	860	870
231	93 00 78		Shrink hose ID=9.5 MM	*	*	*	*
231	93 00 81		Shrink hose ID 19.1	*	*	*	*
231	94 19 93		Motor cable subcab			*	
232	83 53 58		Terminal clamp WDU6/10	3	3	3	3
232	83 53 58		Terminal clamp WDU6/10	4		4	
233	83 53 61		Terminal clamp WDU16,1000V	6	6	6	6
233	83 53 61		Terminal clamp WDU16,1000V	8	8	8	8
233	83 53 17		Terminal clamp WDU35/IK/ZA	6	6	6	6
233	83 53 17		Terminal clamp WDU35/IK/ZA	8	8	8	8
233	83 53 62		Terminal clamp WEIDMÜLLER WDU 70N	8	8	8	8
234	83 53 67		Cross connection WQV16/2	3	3	3	3
234	650 20 02		Cross connection WQV16/10	1	1	1	1
234	83 53 67		Cross connection WQV16/2	4	4	4	4
234	83 53 49		Cross connection WQW35/2	3	3	3	3
234	650 20 03		Cross connection WQV35/10	1	1	1	1
234	83 53 49		Cross connection WQW35/2	4	4	4	4
234	83 53 63		Cross connection WEIDMÜLLER WQV 70N/2	4	4	4	4
235	83 53 54		End support WEW 35/2	2	2	2	2
236	83 53 50		Partition	1	1	1	1
239	650 84 00		El.lead through unit	1	1	2	2
239	650 84 03		El.lead through unit	1	1	2	2
239	650 84 00		El.lead through unit			1	1
240	607 48 05		Spring	1	1	1	1
241	82 75 04		O-ring 319.3X5.7 NBR	1	1	1	1
241	82 81 64		O-ring 319.3X5.7 FPM	1	1	1	1
242	608 54 00		Adapter	1		1	
242	608 55 10		Adapter Cooling jacket	1		1	
242	608 54 01	(Ex)	Adapter		1		1
242	608 55 11	(Ex)	Adapter Cooling jacket		1		1
243	83 04 61		Hex.socket hd screw M12X25-A4-80	2	2	2	2
245	82 75 12		O-ring 479.3X5.7 NBR	1	1	1	1
245	82 81 52		O-ring 479.3X5.7 FPM	1	1	1	1
246	82 78 84		O-ring 405.26X3.53 NBR	1	1	1	1
247	82 81 73		O-ring 149.3X5.7 FPM	1	1	1	1
247	82 81 73		O-ring 149.3X5.7 FPM	1			
247	82 81 73		O-ring 149.3X5.7 FPM		1		1
251	642 13 00		Plug	2	2	2	2
252	82 76 85		O-ring 17X3 NBR	2	2	2	2
252	82 79 15		O-ring 17X3 FPM	2	2	2	2
253	608 58 00		Cooling jacket	1	1	1	1
254	608 57 00		Flow diffusor	1	1	1	1
256	608 44 00		Wire bow	4	4	4	4
257	82 44 38		Supporting washer 170X200X3.5	1	1	1	1

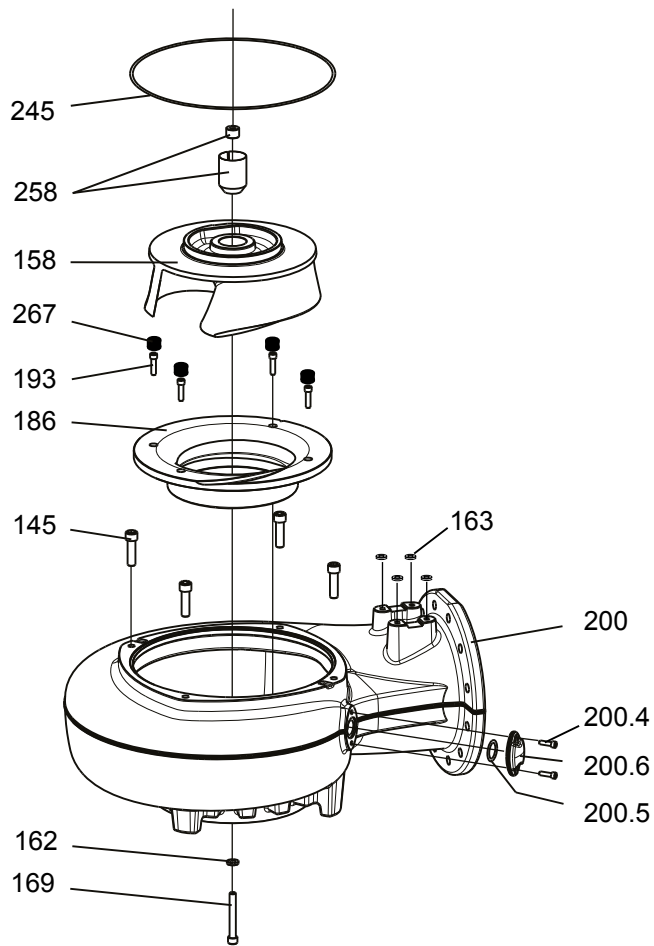
Pos. No	Part. No	Type	Denomination	Qty/Version			
				660	670	860	870
269	518 89 02		Leakage detect.unit (FLS)	1	1	1	1
270	608 31 00		Lock washer		1		
278	669 88 00		Vibration sensor VIS10, CABLE=1 M	1	1	1	1
279	82 23 32		Hexagon nut M8-A4-70	2	2	2	2
302	691 83 00		Connector unit INTENDED FOR "MAS"	1	1	1	1
313	82 81 59		O-ring 119.5X3 FPM	1	1	1	1
327	665 86 01		Detector	1	1	1	1
328	665 86 00		Thermal detectors PT100, 2-LEDARE 1500MM	1	1	1	1
329	718 81 00		Special washer	1	1	1	1
331	94 05 81		Insulating hose	*	*	*	*
334	82 35 73		Plain washer 6-A4-170			4	4
334	82 35 73		Plain washer 6-A4-170			4	1
335	83 53 77		Terminal clamp WPE 2,5 WS	1	1	1	1
336	83 42 36		End sleeve 0.75 MM2; L=6 MM	2	2	2	2
338	82 40 61		Plain washer (10)-22 MM	1	1	1	1
338	82 40 61		Plain washer (10)-22 MM	1		1	
339	84 17 90		Seal sleeve (10)-12 MM	1	1	1	1
339	84 17 92		Seal sleeve (14)-16 MM	1	1	1	1
339	84 17 94		Seal sleeve (18)-20 MM	1	1	1	1
339	84 17 95		Seal sleeve (20)-22 MM	1	1	1	1
339	84 17 92		Seal sleeve (14)-16 MM	1		1	
340	678 58 12		Cable clip (10)-12 MM	1	1	1	1
340	678 58 16		Cable clip (14)-16 MM	1	1	1	1
340	678 58 20		Cable clip (18)-20 MM	1	1	1	1
340	678 58 22		Cable clip (20)-22 MM	1	1	1	1
340	678 58 16		Cable clip (14)-16 MM	1		1	
341	633 11 01		Gland screw 1 1/4" ISO.FOR METAL HOSE	1	1	1	1
341	633 11 01		Gland screw 1 1/4" ISO.FOR METAL HOSE	2	2	2	2
341	633 11 05		Gland screw Thread : ISO G2	1	1	1	1
341	633 11 05		Gland screw Thread : ISO G2	2	2	2	2
341	633 11 04		Gland screw 1 1/2" NPT.FOR METAL HOSE	1	1	1	1
341	633 11 04		Gland screw 1 1/2" NPT.FOR METAL HOSE	2	2	2	2
341	633 11 06		Gland screw Thread : 2-11,5 NPT	1	1	1	1
341	633 11 06		Gland screw Thread : 2-11,5 NPT	2	2	2	2
912	82 76 85		O-ring 17X3 NBR	3	3	3	3
912	82 79 15		O-ring 17X3 FPM	3	3	3	3

Hydraulic Unit

N_LT

6-pole, curve: 620, 622, 624, 626, 628

N_3301 LT 6-pole

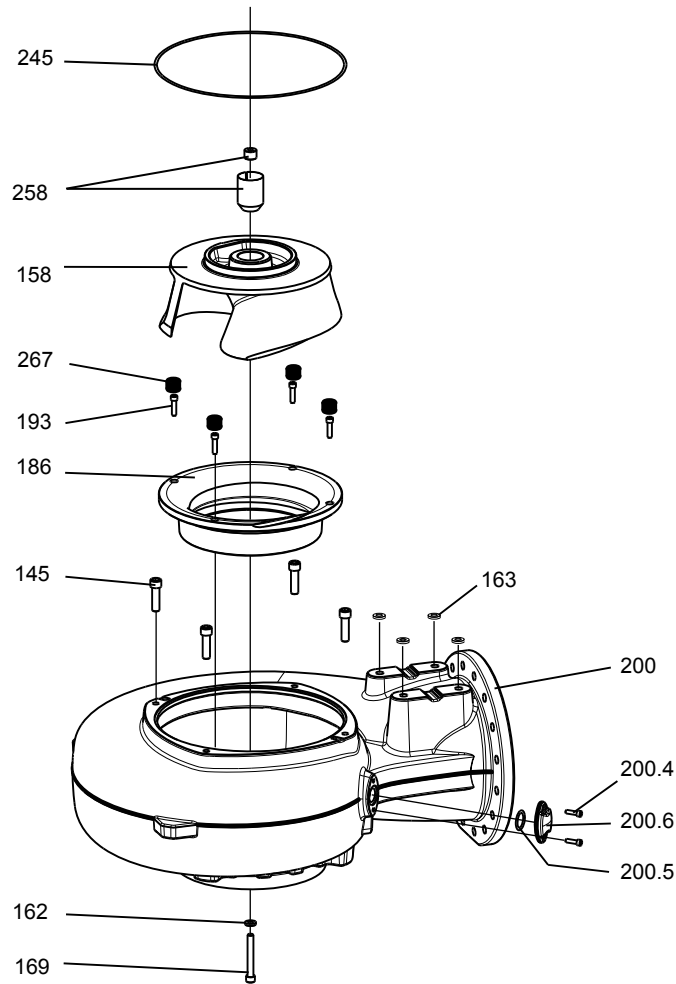


31348

N_LT

8-pole, curve: 810, 812, 814, 816, 818

N_3301 LT 8-pole

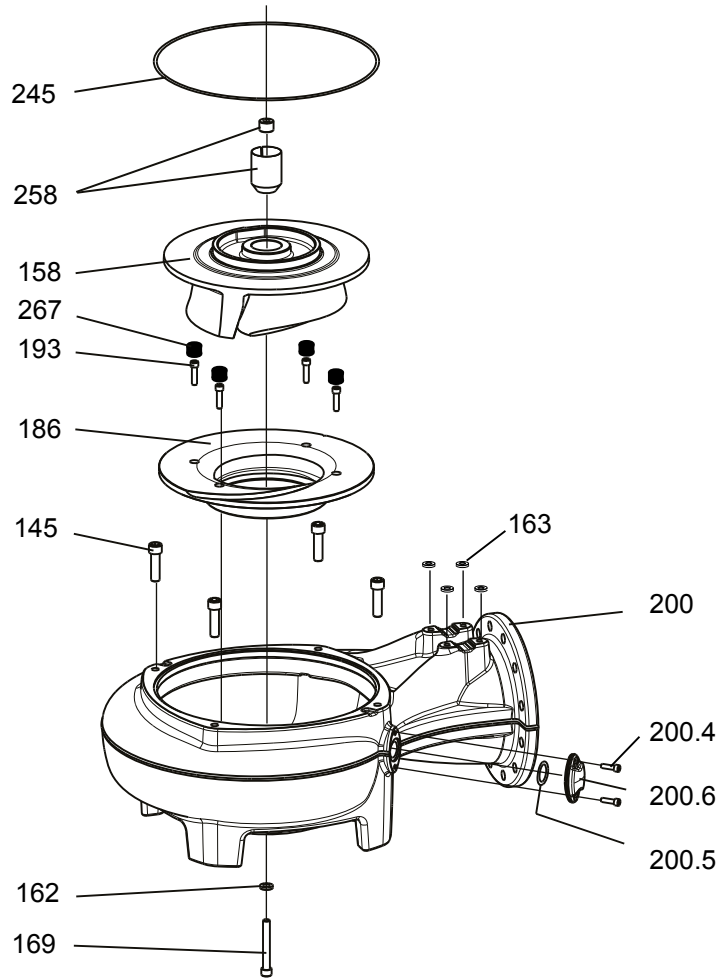


31350

N_MT

Curve: 630, 632, 634, 636, 638, 639

N_3301 MT

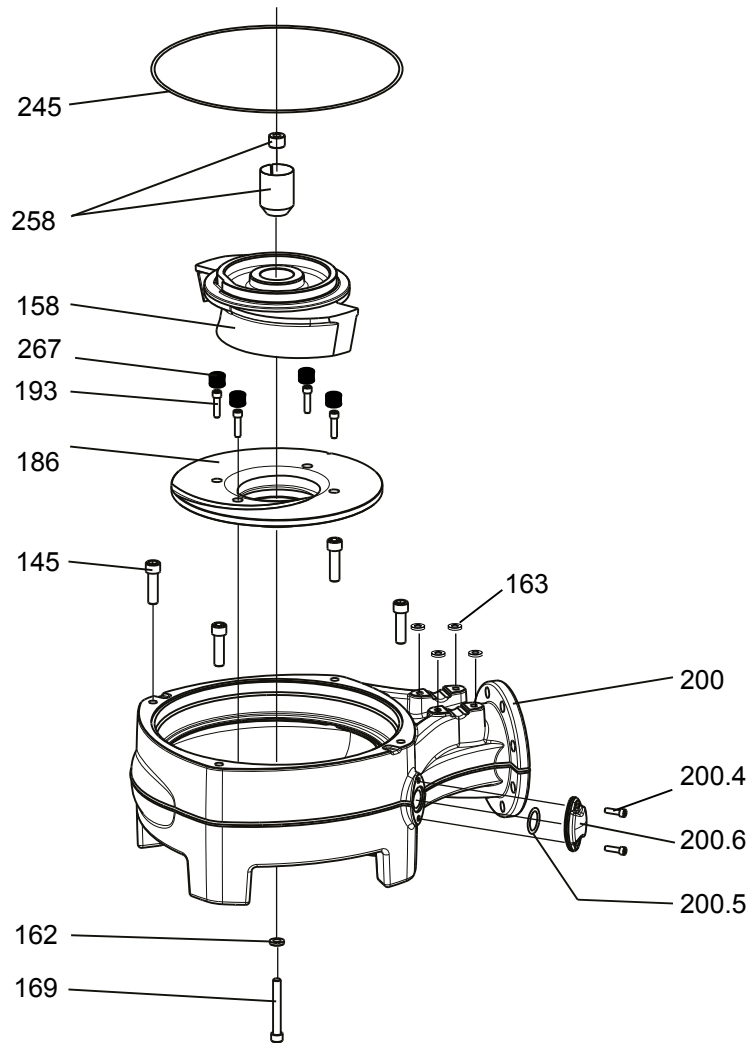


31346

N_HT

Curve: 450, 452, 454, 456, 458, 460, 462, 464, 466, 468

N_3301 HT



31344

3301.090/180/800/810

Pos. No	Part. No	Type	Denomination	Qty/Version			
				090	180	800	810
145	83 04 63		Hex.socket hd screw M20X70-A4-80	4	4	4	4
158	669 73 12		Impeller 810 LT 50Hz	1	1		
158	669 73 23		Impeller 812LT 50Hz	1	1		
158	669 73 36		Impeller 814 LT 50Hz	1	1		
			814 LT 60Hz				
158	669 73 45		Impeller 816 LT 50Hz	1	1		
			816 LT 60Hz				
158	669 73 57		Impeller 818 LT 50Hz	1	1		
			818 LT 60Hz				
158	669 72 09		Impeller 620 LT 50Hz	1	1	1	1
158	669 72 20		Impeller 622 LT 50Hz	1	1	1	1
158	669 72 32		Impeller 624 LT 50Hz	1	1	1	1
			624 LT 60Hz				
158	669 72 42		Impeller 626 LT 50Hz	1	1	1	1
			626 LT 60Hz				
158	669 72 50		Impeller 628 LT 60Hz	1	1	1	1
158	608 69 20		Impeller 630 MT 50Hz	1	1	1	1
158	608 69 30		Impeller 632 MT 50Hz	1	1	1	1
158	608 69 40		Impeller 634 MT 50Hz	1	1	1	1
			634 MT 60Hz				
158	608 69 50		Impeller 636 MT 50Hz	1	1	1	1
			636 MT 60Hz				
158	608 69 60		Impeller 638 MT 60Hz	1	1	1	1
158	608 69 70		Impeller 639 MT 60Hz	1	1	1	1
158	608 63 00		Impeller 450 HT 50Hz	1	1	1	1
158	608 63 10		Impeller 452 HT 50Hz	1	1	1	1
			452 HT 60Hz				
158	608 63 20		Impeller 454 HT 50Hz	1	1	1	1
			454 HT 60Hz				
158	608 63 30		Impeller 456 HT 50Hz	1	1	1	1
			456 HT 60Hz				
158	608 63 40		Impeller 458 HT 50Hz	1	1	1	1
			458 HT 60Hz				
158	605 96 00		Impeller 460 HT 60Hz	1	1	1	1
158	605 96 10		Impeller 462 HT 60Hz	1	1	1	1
158	605 96 20		Impeller 464 HT 60Hz	1	1	1	1
158	605 96 30		Impeller 466 HT 60Hz	1	1	1	1
158	605 96 40		Impeller 468 HT 60Hz	1	1	1	1
162	82 38 01		Plain washer STAINLESS STEEL A4	1	1	1	1
169	83 04 60		Hex.socket hd screw M16X120-A4 80	1	1	1	1
186	704 78 01		Insert ring LT DN 350	1	1		
186	704 75 01		Insert ring LT DN 300	1	1	1	1

Pos. No	Part. No	Type	Denomination	Qty/Version			
				090	180	800	810
186	704 56 01		Insert ring MT DN 250	1	1	1	1
186	704 59 01		Insert ring HT DN 150	1	1	1	1
193	83 04 53		Hex.socket hd screw M12X45-A4-80	4	4	4	4
200	704 77 00		Pump housing LT DN 350 Undrilled inlet	1	1		
200,4	83 04 56		Hex.socket hd screw M10X35-A4-80	2	2		
200,5	82 81 93		O-ring 44,2X5,7 FPM	1	1		
200,6	648 00 00		Cover	1	1		
200	704 77 01		Pump housing LT DN 350 Drilled acc. to: EN 1092-2 tab. 8	1	1		
200,4	83 04 56		Hex.socket hd screw M10X35-A4-80	2	2		
200,5	82 81 93		O-ring 44,2X5,7 FPM	1	1		
200,6	648 00 00		Cover	1	1		
200	704 77 05		Pump housing LT DN 350 Drilled acc. to: ANSI B16.1-89; tab.5	1	1		
200,4	83 04 56		Hex.socket hd screw M10X35-A4-80	2	2		
200,5	82 81 93		O-ring 44,2X5,7 FPM	1	1		
200,6	648 00 00		Cover	1	1		
200	704 77 07		Pump housing LT DN 350 Drilled acc. to: EN 1092-2 tab. 9	1	1		
200,4	83 04 56		Hex.socket hd screw M10X35-A4-80	2	2		
200,5	82 81 93		O-ring 44,2X5,7 FPM	1	1		
200,6	648 00 00		Cover	1	1		
200	704 77 03		Pump housing LT DN 350 Drilled inlet Prepared for zinc anodes (only for P and S installation)	1	1		
200,4	83 04 56		Hex.socket hd screw M10X35-A4-80	2	2		
200,5	82 81 93		O-ring 44,2X5,7 FPM	1	1		
200,6	648 00 00		Cover	1	1		
200	704 77 31		Pump housing LT DN 350 Drilled acc. to: EN 1092-2 tab. 8 Installation: Z Drainage plug	1	1		
200,4	83 04 56		Hex.socket hd screw M10X35-A4-80	2	2		
200,5	82 81 93		O-ring 44,2X5,7 FPM	1	1		
200,6	648 00 00		Cover	1	1		
200	704 77 35		Pump housing LT DN 350 Drilled acc. to: ANSI B16.1-89; tab.5 Installation: Z Drainage plug	1	1		
200,4	83 04 56		Hex.socket hd screw M10X35-A4-80	2	2		
200,5	82 81 93		O-ring 44,2X5,7 FPM	1	1		
200,6	648 00 00		Cover	1	1		
200	704 77 37		Pump housing LT DN 350 Drilled acc. to: EN 1092-2 tab. 9 Installation: Z Drainage plug	1	1		
200,4	83 04 56		Hex.socket hd screw M10X35-A4-80	2	2		
200,5	82 81 93		O-ring 44,2X5,7 FPM	1	1		
200,6	648 00 00		Cover	1	1		
200	704 74 00		Pump housing LT DN 300 Undrilled inlet	1	1	1	1
200,4	83 04 56		Hex.socket hd screw M10X35-A4-80	2	2	2	2

Pos. No	Part. No	Type	Denomination	Qty/Version			
				090	180	800	810
200,5	82 81 93		O-ring 44,2X5,7 FPM	1	1	1	1
200,6	648 00 00		Cover	1	1	1	1
200	704 74 01		Pump housing LT DN 300 Drilled acc. to: EN 1092-2 tab. 8	1	1	1	1
200,4	83 04 56		Hex.socket hd screw M10X35-A4-80	2	2	2	2
200,5	82 81 93		O-ring 44,2X5,7 FPM	1	1	1	1
200,6	648 00 00		Cover	1	1	1	1
200	704 74 05		Pump housing LT DN 300 Drilled acc. to: ANSI B16.1-89; tab.5	1	1	1	1
200,4	83 04 56		Hex.socket hd screw M10X35-A4-80	2	2	2	2
200,5	82 81 93		O-ring 44,2X5,7 FPM	1	1	1	1
200,6	648 00 00		Cover	1	1	1	1
200	704 74 07		Pump housing LT DN 300 Drilled acc. to: EN 1092-2 tab. 9	1	1	1	1
200,4	83 04 56		Hex.socket hd screw M10X35-A4-80	2	2	2	2
200,5	82 81 93		O-ring 44,2X5,7 FPM	1	1	1	1
200,6	648 00 00		Cover	1	1	1	1
200	704 74 03		Pump housing LT DN 300 Drilled inlet Prepared for zinc anodes (only for P and S installation)	1	1	1	1
200,4	83 04 56		Hex.socket hd screw M10X35-A4-80	2	2	2	2
200,5	82 81 93		O-ring 44,2X5,7 FPM	1	1	1	1
200,6	648 00 00		Cover	1	1	1	1
200	704 74 31		Pump housing LT DN 300 Drilled acc. to: EN 1092-2 tab. 8 Installation: Z Drainage plug	1	1	1	1
200,4	83 04 56		Hex.socket hd screw M10X35-A4-80	2	2	2	2
200,5	82 81 93		O-ring 44,2X5,7 FPM	1	1	1	1
200,6	648 00 00		Cover	1	1	1	1
200	704 74 35		Pump housing LT DN 300 Drilled acc. to: ANSI B16.1-89; tab.5 Installation: Z Drainage plug	1	1	1	1
200,4	83 04 56		Hex.socket hd screw M10X35-A4-80	2	2	2	2
200,5	82 81 93		O-ring 44,2X5,7 FPM	1	1	1	1
200,6	648 00 00		Cover	1	1	1	1
200	704 74 37		Pump housing LT DN 300 Drilled acc. to: EN 1092-2 tab. 9 Installation: Z Drainage plug	1	1	1	1
200,4	83 04 56		Hex.socket hd screw M10X35-A4-80	2	2	2	2
200,5	82 81 93		O-ring 44,2X5,7 FPM	1	1	1	1
200,6	648 00 00		Cover	1	1	1	1
200	704 55 00		Pump housing MT DN 250 Undrilled inlet	1	1	1	1
200,4	83 04 56		Hex.socket hd screw M10X35-A4-80	2	2	2	2
200,5	82 81 93		O-ring 44,2X5,7 FPM	1	1	1	1
200,6	648 00 00		Cover	1	1	1	1
200	704 55 01		Pump housing MT DN 250 Drilled acc. to: EN 1092-2 tab. 8	1	1	1	1
200,4	83 04 56		Hex.socket hd screw M10X35-A4-80	2	2	2	2
200,5	82 81 93		O-ring 44,2X5,7 FPM	1	1	1	1

Pos. No	Part. No	Type	Denomination	Qty/Version			
				090	180	800	810
200	200,6 648 00 00		Cover	1	1	1	1
	704 55 05		Pump housing MT DN 250 Drilled acc. to: ANSI B16.1-89; tab.5	1	1	1	1
	200,4 83 04 56		Hex.socket hd screw M10X35-A4-80	2	2	2	2
	200,5 82 81 93		O-ring 44,2X5,7 FPM	1	1	1	1
200	200,6 648 00 00		Cover	1	1	1	1
	704 55 07		Pump housing MT DN 250 Drilled acc. to: EN 1092-2 tab. 9	1	1	1	1
	200,4 83 04 56		Hex.socket hd screw M10X35-A4-80	2	2	2	2
	200,5 82 81 93		O-ring 44,2X5,7 FPM	1	1	1	1
200	200,6 648 00 00		Cover	1	1	1	1
	704 55 03		Pump housing MT DN 250 Drilled inlet Prepared for zinc anodes (only for P and S installation)	1	1	1	1
	200,4 83 04 56		Hex.socket hd screw M10X35-A4-80	2	2	2	2
	200,5 82 81 93		O-ring 44,2X5,7 FPM	1	1	1	1
200	200,6 648 00 00		Cover	1	1	1	1
	704 55 31		Pump housing MT DN 250 Drilled acc. to: EN 1092-2 tab. 8 Installation: Z Drainage plug	1	1	1	1
	200,4 83 04 56		Hex.socket hd screw M10X35-A4-80	2	2	2	2
	200,5 82 81 93		O-ring 44,2X5,7 FPM	1	1	1	1
200	200,6 648 00 00		Cover	1	1	1	1
	704 55 35		Pump housing MT DN 250 Drilled acc. to: ANSI B16.1-89; tab.5 Installation: Z Drainage plug	1	1	1	1
	200,4 83 04 56		Hex.socket hd screw M10X35-A4-80	2	2	2	2
	200,5 82 81 93		O-ring 44,2X5,7 FPM	1	1	1	1
200	200,6 648 00 00		Cover	1	1	1	1
	704 55 37		Pump housing MT DN 250 Drilled acc. to: EN 1092-2 tab. 9 Installation: Z Drainage plug	1	1	1	1
	200,4 83 04 56		Hex.socket hd screw M10X35-A4-80	2	2	2	2
	200,5 82 81 93		O-ring 44,2X5,7 FPM	1	1	1	1
200	200,6 648 00 00		Cover	1	1	1	1
	704 58 00		Pump housing HT DN 150 Undrilled inlet	1	1	1	1
	200,4 83 04 56		Hex.socket hd screw M10X35-A4-80	2	2	2	2
	200,5 82 81 93		O-ring 44,2X5,7 FPM	1	1	1	1
200	200,6 648 00 00		Cover	1	1	1	1
	704 58 06		Pump housing HT DN 150 Drilled acc. to: EN 1092-2 tab. 9 ANSI B16.1-89; tab.5	1	1	1	1
	200,4 83 04 56		Hex.socket hd screw M10X35-A4-80	2	2	2	2
	200,5 82 81 93		O-ring 44,2X5,7 FPM	1	1	1	1
200	200,6 648 00 00		Cover	1	1	1	1
	704 58 03		Pump housing HT DN 150 Drilled inlet Prepared for zinc anodes (only for P and S installation)	1	1	1	1
	200,4 83 04 56		Hex.socket hd screw M10X35-A4-80	2	2	2	2
	200,5 82 81 93		O-ring 44,2X5,7 FPM	1	1	1	1
200,6 648 00 00		Cover	1	1	1	1	
200	704 58 03		Pump housing HT DN 150 Drilled inlet Prepared for zinc anodes (only for P and S installation)	1	1	1	1
200,4	83 04 56		Hex.socket hd screw M10X35-A4-80	2	2	2	2

Pos. No	Part. No	Type	Denomination	Qty/Version			
				090	180	800	810
200,5	82 81 93		O-ring 44,2X5,7 FPM	1	1	1	1
200,6	648 00 00		Cover	1	1	1	1
200	704 58 36		Pump housing	1	1	1	1
			HT DN 150 Drilled acc. to: ANSI B16.1-89; tab.5 EN 1092-2 tab. 9 Installation: Z Drainage plug				
200,4	83 04 56		Hex.socket hd screw M10X35-A4-80	2	2	2	2
200,5	82 81 93		O-ring 44,2X5,7 FPM	1	1	1	1
200,6	648 00 00		Cover	1	1	1	1
258	720 17 00		Sleeve unit	1	1	1	1
267	725 07 00		Plug	4	4		

3301.095/185/820/830

Pos. No	Part. No	Type	Denomination	Qty/Version			
				095	185	820	830
145	83 04 63		Hex.socket hd screw M20X70-A4-80	4	4	4	4
158	704 40 12		Impeller 810 LT 50Hz	1	1		
158	704 40 23		Impeller 812 LT 50Hz	1	1		
158	704 40 33		Impeller 814 LT 50Hz	1	1		
			814 LT 60Hz				
158	704 40 45		Impeller 816 LT 50Hz	1	1		
			816 LT 60Hz				
158	704 40 57		Impeller 818 LT 50Hz	1	1		
			818 LT 60Hz				
158	704 39 09		Impeller 620 LT 50Hz	1	1	1	1
158	704 39 20		Impeller 622 LT 50Hz	1	1	1	1
158	704 39 32		Impeller 624 LT 50Hz	1	1	1	1
			624 LT 60Hz				
158	704 39 42		Impeller 626 LT 50Hz	1	1	1	1
			626 LT 60Hz				
158	704 39 50		Impeller 628 LT 60Hz	1	1	1	1
158	704 32 20		Impeller 630 MT 50Hz	1	1	1	1
158	704 32 30		Impeller 632 MT 50Hz	1	1	1	1
158	704 32 40		Impeller 634 MT 50Hz	1	1	1	1
			634 MT 60Hz				
158	704 32 50		Impeller 636 MT 50Hz	1	1	1	1
			636 MT 60Hz				
158	704 32 60		Impeller 638 MT 60Hz	1	1	1	1
158	704 32 70		Impeller 639 MT 60Hz	1	1	1	1
158	704 34 10		Impeller 452 HT 50Hz	1	1	1	1
158	704 34 20		Impeller 454 HT 50Hz	1	1	1	1
158	704 34 30		Impeller 456 HT 50Hz	1	1	1	1
158	704 34 40		Impeller 458 HT 50Hz	1	1	1	1
158	704 33 10		Impeller 462 HT 60Hz	1	1	1	1
158	704 33 20		Impeller 464 HT 60Hz	1	1	1	1
158	704 33 30		Impeller 466 HT 60Hz	1	1	1	1

Pos. No	Part. No	Type	Denomination	Qty/Version			
				095	185	820	830
158	704 33 40		Impeller 468 HT 60Hz	1	1	1	1
162	82 38 01		Plain washer STAINLESS STEEL A4	1	1	1	1
169	83 04 60		Hex.socket hd screw M16X120-A4 80	1	1	1	1
186	704 79 00		Insert ring LT DN 350	1	1		
186	704 76 00		Insert ring LT DN 300	1	1	1	1
186	704 57 00		Insert ring MT DN 250	1	1	1	1
186	704 60 00		Insert ring HT DN 150	1	1	1	1
186	704 56 01		Insert ring MT DN 250				1
193	83 04 53		Hex.socket hd screw M12X45-A4-80	4	4	4	4
200	704 77 00		Pump housing LT DN 350 Undrilled inlet	1	1		
200,4	83 04 56		Hex.socket hd screw M10X35-A4-80	2	2		
200,5	82 81 93		O-ring 44,2X5,7 FPM	1	1		
200,6	648 00 00		Cover	1	1		
200	704 77 01		Pump housing LT DN 350 Drilled acc. to: EN 1092-2 tab. 8	1	1		
200,4	83 04 56		Hex.socket hd screw M10X35-A4-80	2	2		
200,5	82 81 93		O-ring 44,2X5,7 FPM	1	1		
200,6	648 00 00		Cover	1	1		
200	704 77 05		Pump housing LT DN 350 Drilled acc. to: ANSI B16.1-89; tab.5	1	1		
200,4	83 04 56		Hex.socket hd screw M10X35-A4-80	2	2		
200,5	82 81 93		O-ring 44,2X5,7 FPM	1	1		
200,6	648 00 00		Cover	1	1		
200	704 77 07		Pump housing LT DN 350 Drilled acc. to: EN 1092-2 tab. 9	1	1		
200,4	83 04 56		Hex.socket hd screw M10X35-A4-80	2	2		
200,5	82 81 93		O-ring 44,2X5,7 FPM	1	1		
200,6	648 00 00		Cover	1	1		
200	704 77 03		Pump housing LT DN 350 Drilled inlet Prepared for zinc anodes (only for P and S installation)	1	1		
200,4	83 04 56		Hex.socket hd screw M10X35-A4-80	2	2		
200,5	82 81 93		O-ring 44,2X5,7 FPM	1	1		
200,6	648 00 00		Cover	1	1		
200	704 77 31		Pump housing LT DN 350 Drilled acc. to: EN 1092-2 tab. 8 Installation: Z Drainage plug	1	1		
200,4	83 04 56		Hex.socket hd screw M10X35-A4-80	2	2		
200,5	82 81 93		O-ring 44,2X5,7 FPM	1	1		
200,6	648 00 00		Cover	1	1		
200	704 77 35		Pump housing LT DN 350 Drilled acc. to: ANSI B16.1-89; tab.5 Installation: Z Drainage plug	1	1		
200,4	83 04 56		Hex.socket hd screw M10X35-A4-80	2	2		
200,5	82 81 93		O-ring 44,2X5,7 FPM	1	1		
200,6	648 00 00		Cover	1	1		

Pos. No	Part. No	Type	Denomination	Qty/Version			
				095	185	820	830
200	704 77 37		Pump housing LT DN 350 Drilled acc. to: EN 1092-2 tab. 9 Installation: Z Drainage plug	1	1		
	200,4 83 04 56		Hex.socket hd screw M10X35-A4-80	2	2		
	200,5 82 81 93		O-ring 44,2X5,7 FPM	1	1		
	200,6 648 00 00		Cover	1	1		
200	704 74 00		Pump housing LT DN 300 Undrilled inlet	1	1	1	1
	200,4 83 04 56		Hex.socket hd screw M10X35-A4-80	2	2	2	2
	200,5 82 81 93		O-ring 44,2X5,7 FPM	1	1	1	1
	200,6 648 00 00		Cover	1	1	1	1
200	704 74 01		Pump housing LT DN 300 Drilled acc. to: EN 1092-2 tab. 8	1	1	1	1
	200,4 83 04 56		Hex.socket hd screw M10X35-A4-80	2	2	2	2
	200,5 82 81 93		O-ring 44,2X5,7 FPM	1	1	1	1
	200,6 648 00 00		Cover	1	1	1	1
200	704 74 05		Pump housing LT DN 300 Drilled acc. to: ANSI B16.1-89; tab.5	1	1	1	1
	200,4 83 04 56		Hex.socket hd screw M10X35-A4-80	2	2	2	2
	200,5 82 81 93		O-ring 44,2X5,7 FPM	1	1	1	1
	200,6 648 00 00		Cover	1	1	1	1
200	704 74 07		Pump housing LT DN 300 Drilled acc. to: EN 1092-2 tab. 9	1	1	1	1
	200,4 83 04 56		Hex.socket hd screw M10X35-A4-80	2	2	2	2
	200,5 82 81 93		O-ring 44,2X5,7 FPM	1	1	1	1
	200,6 648 00 00		Cover	1	1	1	1
200	704 74 03		Pump housing LT DN 300 Drilled inlet Prepared for zinc anodes (only for P and S installation)	1	1	1	1
	200,4 83 04 56		Hex.socket hd screw M10X35-A4-80	2	2	2	2
	200,5 82 81 93		O-ring 44,2X5,7 FPM	1	1	1	1
	200,6 648 00 00		Cover	1	1	1	1
200	704 74 31		Pump housing LT DN 300 Drilled acc. to: EN 1092-2 tab. 8 Installation: Z Drainage plug	1	1	1	1
	200,4 83 04 56		Hex.socket hd screw M10X35-A4-80	2	2	2	2
	200,5 82 81 93		O-ring 44,2X5,7 FPM	1	1	1	1
	200,6 648 00 00		Cover	1	1	1	1
200	704 74 35		Pump housing LT DN 300 Drilled acc. to: ANSI B16.1-89; tab.5 Installation: Z Drainage plug	1	1	1	1
	200,4 83 04 56		Hex.socket hd screw M10X35-A4-80	2	2	2	2
	200,5 82 81 93		O-ring 44,2X5,7 FPM	1	1	1	1
	200,6 648 00 00		Cover	1	1	1	1
200	704 74 37		Pump housing LT N DN 300 Drilled acc. to: EN 1092-2 tab. 9 Installation: Z Drainage plug	1	1	1	1
	200,4 83 04 56		Hex.socket hd screw M10X35-A4-80	2	2	2	2
	200,5 82 81 93		O-ring 44,2X5,7 FPM	1	1	1	1
	200,6 648 00 00		Cover	1	1	1	1

Pos. No	Part. No	Type	Denomination	Qty/Version				
				095	185	820	830	
200	704 55 00		Pump housing	MT DN 250 Undrilled inlet	1	1	1	1
	200,4 83 04 56		Hex.socket hd screw M10X35-A4-80		2	2	2	2
	200,5 82 81 93		O-ring 44,2X5,7 FPM		1	1	1	1
	200,6 648 00 00		Cover		1	1	1	1
200	704 55 01		Pump housing	Pump housing Prepared for Flush valve MT N DN 250 Drilled acc. to: EN 1092-2 tab. 8	1	1	1	1
	200,4 83 04 56		Hex.socket hd screw M10X35-A4-80		2	2	2	2
	200,5 82 81 93		O-ring 44,2X5,7 FPM		1	1	1	1
	200,6 648 00 00		Cover		1	1	1	1
200	704 55 05		Pump housing	MT DN 250 Drilled acc. to: ANSI B16.1-89; tab.5	1	1	1	1
	200,4 83 04 56		Hex.socket hd screw M10X35-A4-80		2	2	2	2
	200,5 82 81 93		O-ring 44,2X5,7 FPM		1	1	1	1
	200,6 648 00 00		Cover		1	1	1	1
200	704 55 07		Pump housing	MT DN 250 Drilled acc. to: EN 1092-2 tab. 9	1	1	1	1
	200,4 83 04 56		Hex.socket hd screw M10X35-A4-80		2	2	2	2
	200,5 82 81 93		O-ring 44,2X5,7 FPM		1	1	1	1
	200,6 648 00 00		Cover		1	1	1	1
200	704 55 03		Pump housing	MT DN 250 Drilled inlet Prepared for zinc anodes (only for P and S installation)	1	1	1	1
	200,4 83 04 56		Hex.socket hd screw M10X35-A4-80		2	2	2	2
	200,5 82 81 93		O-ring 44,2X5,7 FPM		1	1	1	1
	200,6 648 00 00		Cover		1	1	1	1
200	704 55 31		Pump housing	MT DN 250 Drilled acc. to: EN 1092-2 tab. 8 Installation: Z Drainage plug	1	1	1	1
	200,4 83 04 56		Hex.socket hd screw M10X35-A4-80		2	2	2	2
	200,5 82 81 93		O-ring 44,2X5,7 FPM		1	1	1	1
	200,6 648 00 00		Cover		1	1	1	1
200	704 55 35		Pump housing	MT DN 250 Drilled acc. to: ANSI B16.1-89; tab.5 Installation: Z Drainage plug	1	1	1	1
	200,4 83 04 56		Hex.socket hd screw M10X35-A4-80		2	2	2	2
	200,5 82 81 93		O-ring 44,2X5,7 FPM		1	1	1	1
	200,6 648 00 00		Cover		1	1	1	1
200	704 55 37		Pump housing	MT DN 250 Drilled acc. to: EN 1092-2 tab. 9 Installation: Z Drainage plug	1	1	1	1
	200,4 83 04 56		Hex.socket hd screw M10X35-A4-80		2	2	2	2
	200,5 82 81 93		O-ring 44,2X5,7 FPM		1	1	1	1
	200,6 648 00 00		Cover		1	1	1	1
200	704 58 00		Pump housing	HT DN 150 Undrilled inlet	1	1	1	1
	200,4 83 04 56		Hex.socket hd screw M10X35-A4-80		2	2	2	2
	200,5 82 81 93		O-ring 44,2X5,7 FPM		1	1	1	1

Pos. No	Part. No	Type	Denomination	Qty/Version			
				095	185	820	830
200,6	648 00 00		Cover	1	1	1	1
200	704 58 06		Pump housing HT DN 150 Drilled acc. to: EN 1092-2 tab. 9 ANSI B16.1-89; tab.5	1	1	1	1
200,4	83 04 56		Hex.socket hd screw M10X35-A4-80	2	2	2	2
200,5	82 81 93		O-ring 44,2X5,7 FPM	1	1	1	1
200,6	648 00 00		Cover	1	1	1	1
200	704 58 03		Pump housing HT DN 150 Drilled inlet Prepared for zinc anodes (only for P and S installation)	1	1	1	1
200,4	83 04 56		Hex.socket hd screw M10X35-A4-80	2	2	2	2
200,5	82 81 93		O-ring 44,2X5,7 FPM	1	1	1	1
200,6	648 00 00		Cover	1	1	1	1
200	704 58 36		Pump housing HT DN 150 Drilled acc. to: ANSI B16.1-89; tab.5 EN 1092-2 tab. 9 Installation: Z Drainage plug	1	1	1	1
200,4	83 04 56		Hex.socket hd screw M10X35-A4-80	2	2	2	2
200,5	82 81 93		O-ring 44,2X5,7 FPM	1	1	1	1
200,6	648 00 00		Cover	1	1	1	1
258	720 17 00		Sleeve unit	1	1	1	1
267	725 07 00		Plug	4	4		

3301.660/670/860/870

Pos. No	Part. No	Type	Denomination	Qty/Version			
				660	670	860	870
145	83 04 63		Hex.socket hd screw M20X70-A4-80	4	4	4	4
158	766 59 12		Impeller 810 LT 50Hz	1	1		
158	766 59 23		Impeller 812 LT 50Hz	1	1		
158	766 59 36		Impeller 814 LT 50Hz	1	1		
158	766 59 45		Impeller 814 LT 60Hz				
158	766 59 45		Impeller 816 LT 50Hz	1	1		
158	766 59 57		Impeller 816 LT 60Hz				
158	766 59 57		Impeller 818 LT 50Hz	1	1		
158	766 59 57		Impeller 818 LT 60Hz				
158	766 06 20		Impeller 630 MT 50Hz	1	1	1	1
158	766 06 30		Impeller 632 MT 50Hz	1	1	1	1
158	766 06 40		Impeller 634 MT 50Hz	1	1	1	1
158	766 06 50		Impeller 634 MT 60Hz				
158	766 06 50		Impeller 636 MT 50Hz	1	1	1	1
158	766 06 50		Impeller 636 MT 60Hz				
158	766 06 60		Impeller 638 MT 50Hz	1	1	1	1
158	766 06 60		Impeller 638 MT 60Hz				
158	766 06 70		Impeller 639 MT 60Hz	1	1	1	1
158	766 07 00		Impeller 460 HT 50Hz	1	1	1	1
158	766 07 00		Impeller 460 HT 60Hz				
158	766 07 10		Impeller 462 HT 50Hz	1	1	1	1
158	766 07 10		Impeller 462 HT 60Hz				

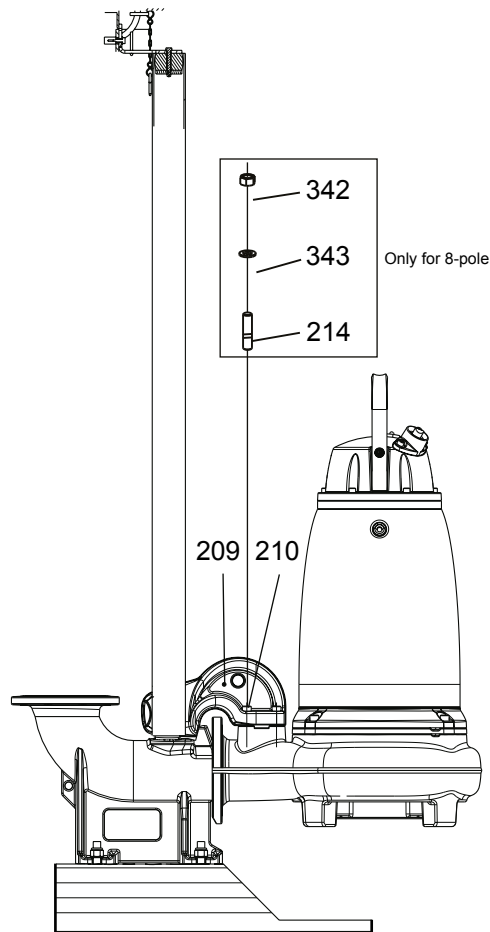
Pos. No	Part. No	Type	Denomination	Qty/Version			
				660	670	860	870
158	766 07 20		Impeller 464 HT 50Hz	1	1	1	1
			464 HT 60Hz				
158	766 07 30		Impeller 466 HT 50Hz	1	1	1	1
			466 HT 60Hz				
158	766 07 40		Impeller 468 HT 60Hz	1	1	1	1
162	82 38 01		Plain washer STAINLESS STEEL A4	1	1	1	1
169	83 04 60		Hex.socket hd screw M16X120-A4 80	1	1	1	1
186	704 78 01		Insert ring LT DN 350	1	1		
186	704 56 01		Insert ring MT DN 250	1	1	1	1
186	704 59 01		Insert ring HT DN 150	1	1	1	1
193	83 04 53		Hex.socket hd screw M12X45-A4-80	4	4	4	4
200	704 77 01		Pump housing LT DN 350 Drilled acc. to: EN 1092-2 tab. 8	1	1		
200,4	83 04 56		Hex.socket hd screw M10X35-A4-80	2	2		
200,5	82 81 93		O-ring 44,2X5,7 FPM	1	1		
200,6	648 00 00		Cover	1	1		
200	704 77 05		Pump housing LT DN 350 Drilled acc. to: ANSI B16.1-89; tab.5	1	1		
200,4	83 04 56		Hex.socket hd screw M10X35-A4-80	2	2		
200,5	82 81 93		O-ring 44,2X5,7 FPM	1	1		
200,6	648 00 00		Cover	1	1		
200	704 77 07		Pump housing LT DN 350 Drilled acc. to: EN 1092-2 tab. 9	1	1		
200,4	83 04 56		Hex.socket hd screw M10X35-A4-80	2	2		
200,5	82 81 93		O-ring 44,2X5,7 FPM	1	1		
200,6	648 00 00		Cover	1	1		
200	704 77 03		Pump housing LT DN 350 Drilled inlet Prepared for zinc anodes (only for P and S installation)	1	1		
200,4	83 04 56		Hex.socket hd screw M10X35-A4-80	2	2		
200,5	82 81 93		O-ring 44,2X5,7 FPM	1	1		
200,6	648 00 00		Cover	1	1		
200	704 55 01		Pump housing MT DN 250 Drilled acc. to: EN 1092-2 tab. 8	1	1	1	1
200,4	83 04 56		Hex.socket hd screw M10X35-A4-80	2	2	2	2
200,5	82 81 93		O-ring 44,2X5,7 FPM	1	1	1	1
200,6	648 00 00		Cover	1	1	1	1
200	704 55 05		Pump housing MT DN 250 Drilled acc. to: ANSI B16.1-89; tab.5	1	1	1	1
200,4	83 04 56		Hex.socket hd screw M10X35-A4-80	2	2	2	2
200,5	82 81 93		O-ring 44,2X5,7 FPM	1	1	1	1
200,6	648 00 00		Cover	1	1	1	1
200	704 55 07		Pump housing MT DN 250 Drilled acc. to: EN 1092-2 tab. 9	1	1	1	1
200,4	83 04 56		Hex.socket hd screw M10X35-A4-80	2	2	2	2
200,5	82 81 93		O-ring 44,2X5,7 FPM	1	1	1	1

Pos. No	Part. No	Type	Denomination	Qty/Version			
				660	670	860	870
200,6	648 00 00		Cover	1	1	1	1
200	704 55 03		Pump housing MT DN 250 Drilled inlet Prepared for zinc anodes (only for P and S installation)	1	1	1	1
200,4	83 04 56		Hex.socket hd screw M10X35-A4-80	2	2	2	2
200,5	82 81 93		O-ring 44,2X5,7 FPM	1	1	1	1
200,6	648 00 00		Cover	1	1	1	1
200	704 58 06		Pump housing HT DN 150 Drilled acc. to: EN 1092-2 tab. 9 ANSI B16.1-89; tab.5	1	1	1	1
200,4	83 04 56		Hex.socket hd screw M10X35-A4-80	2	2	2	2
200,5	82 81 93		O-ring 44,2X5,7 FPM	1	1	1	1
200,6	648 00 00		Cover	1	1	1	1
200	704 58 03		Pump housing HT DN 150 Drilled inlet Prepared for zinc anodes (only for P and S installation)	1	1	1	1
200,4	83 04 56		Hex.socket hd screw M10X35-A4-80	2	2	2	2
200,5	82 81 93		O-ring 44,2X5,7 FPM	1	1	1	1
200,6	648 00 00		Cover	1	1	1	1
258	720 17 00		Sleeve unit	1	1	1	1
267	725 07 00		Plug	4	4	4	4

Installation Components

NP

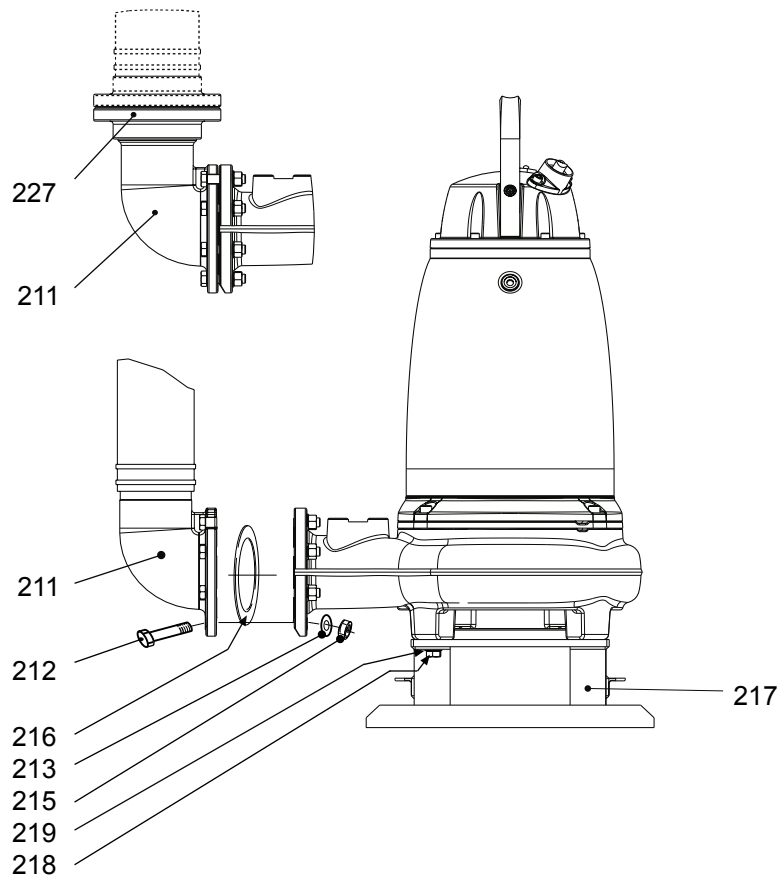
NP 3301



31142C

NS

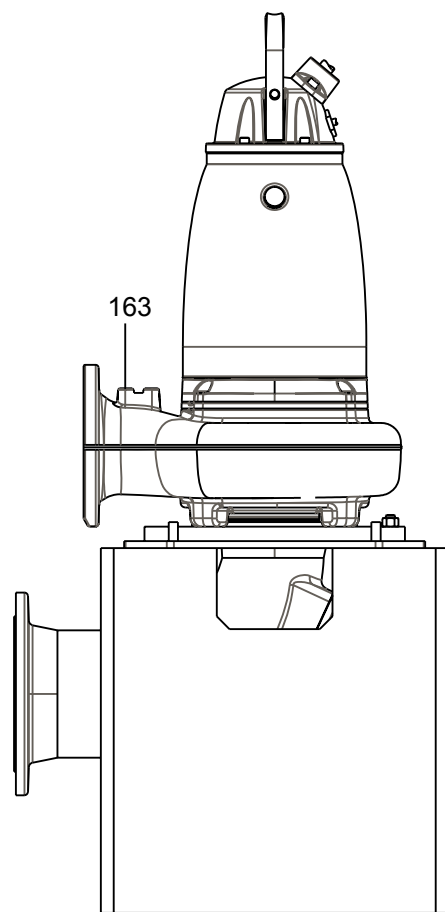
NS 3301



31143

NT

NT 3301



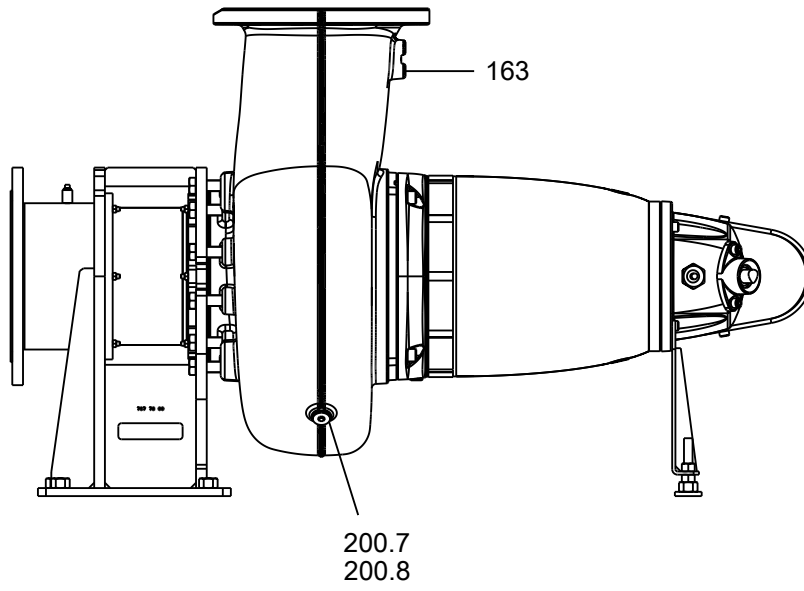
31491

NZ

Standard design

NZ 3301

Alt. 1

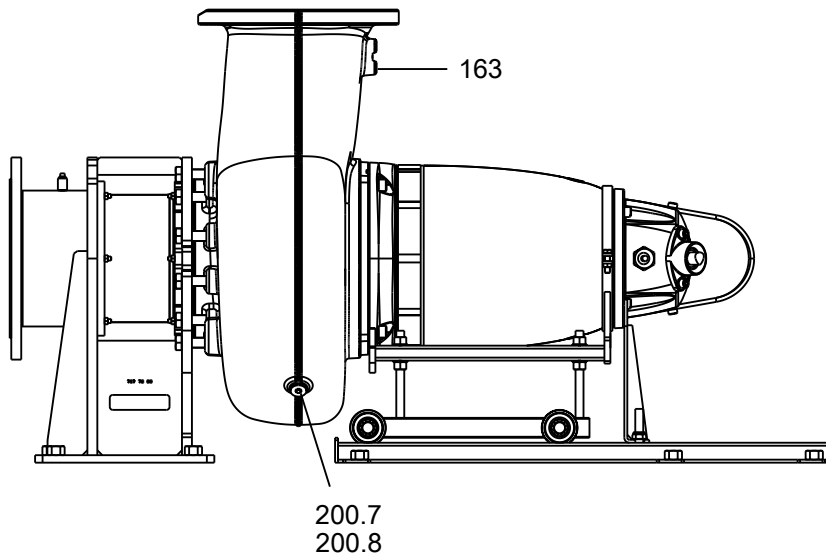


311496

Alternative design, with service cart

NZ 3301

Alt. 2



31497

For more information, refer to Mechanical Installation Equipment on TPI.

3301.090/180/800/810

Pos. No	Part. No	Type	Denomination	Qty/Version			
				090	180	800	810
163	82 69 41		Protective plug F11	4	4	4	4
	200,7 80 14 40		Plug	1	1	1	1
	200,8 80 14 42		Gasket	1	1	1	1
209	454 87 00		Sliding bracket No of poles: 8 LT	1	1	1	1
209	607 38 00		Sliding bracket LT MT HT	1	1	1	1
209	669 84 00		Sliding bracket Optional	1	1	1	1
210	83 04 58		Hex.socket hd screw M16X60-A4-80	4	4	4	4
211	457 68 00		Discharge connection "LT" LOW No of poles: 6 LT DN 250 HEAD DN 300	1	1	1	1
211	479 26 00		Discharge connection MT DN 250	1	1	1	1
211	379 32 00		Discharge connection MT DN 200	1	1	1	1
211	295 57 00		Discharge connection HT DN 150	1	1	1	1
211	309 31 00		Discharge connection HT Thread : 6-8 NPSM Outer DN 150	1	1	1	1
211	309 31 01		Discharge connection S HT Thread : ISO G6 Outer Quick coupling: Quick Coupling DN 150	1	1	1	1
212	84 34 35		Hexagon head screw M20X90-A2-70 No of poles: 6 LT MT	4	4	4	4
212	84 34 35		Hexagon head screw M20X90-A2-70 No of poles: 6 LT MT	12	12	12	12
212	84 34 34		Hexagon head screw M20X80-A2-70 HT	8	8	8	8
213	82 35 26		Plain washer 20-A2-A-170 HT No of poles: 6 LT DN 250 MT MT	8	8	8	8
213	82 35 26		Plain washer 20-A2-A-170 HT No of poles: 6 LT MT	24	24	24	24
213	82 35 26		Plain washer 20-A2-A-170 HT No of poles: 6 LT MT	16	16	16	16
214	80 95 96		Stud 24X100-A2-70 No of poles: 8 LT	2	2	2	2
214	80 96 04		Stud 24X120-A2-70 No of poles: 8 LT	2	2	2	2
215	82 23 62		Hexagon nut M20-A2-70 HT No of poles: 6 LT MT	4	4	4	4
215	82 23 62		Hexagon nut M20-A2-70 HT No of poles: 6 LT MT	12	12	12	12
215	82 23 62		Hexagon nut M20-A2-70 HT No of poles: 6 LT MT	8	8	8	8
216	380 25 01		Gasket 370 MM No of poles: 6 LT	1	1	1	1
216	384 45 00		Gasket 8" MT	1	1	1	1
216	295 64 00		Gasket 6" HT	1	1	1	1

Pos. No	Part. No	Type	Denomination	Qty/Version			
				090	180	800	810
217	437 88 01		Stand compl. S/T INSTALLATION	1	1	1	1
218	84 34 05		Hexagon head screw M16X50-A2-70	4	4	4	4
219	82 35 23		Plain washer 16-A2-A-170	4	4	4	4
227	83 19 36		Coupling part	1	1	1	1
342	82 23 63		Hexagon nut M24-A2-70	4	4	4	4
343	82 35 28		Plain washer 24-A2-170	4	4	4	4

3301.095/185/820/830

Pos. No	Part. No	Type	Denomination	Qty/Version			
				095	185	820	830
163	82 69 41		Protective plug F11 HT No of poles: 6 LT MT	4	4	4	4
163	82 70 91		Protective plug F181 No of poles: 8 LT		4		
200,7	80 14 40		Plug	1	1	1	1
200,8	80 14 42		Gasket	1	1	1	1
209	454 87 00		Sliding bracket No of poles: 8 LT	1	1	1	1
209	607 38 00		Sliding bracket For a new installation LT MT HT	1	1	1	1
209	669 84 00		Sliding bracket Optional	1	1	1	1
210	83 04 58		Hex.socket hd screw M16X60-A4-80	4	4	4	4
211	457 68 00		Discharge connection "LT" LOW HEAD DN 300 No of poles: 6 LT DN 250	1	1	1	1
211	479 26 00		Discharge connection MT DN 250	1	1	1	1
211	379 32 00		Discharge connection MT DN 200	1	1	1	1
211	295 57 00		Discharge connection HT DN 150	1	1	1	1
211	309 31 00		Discharge connection HT Thread : 6-8 NPSM Outer DN 150	1	1	1	1
211	309 31 01		Discharge connection HT Thread : ISO G6 Outer DN 150 Quick coupling: Storz	1	1	1	1
212	84 34 35		Hexagon head screw M20X90-A2-70 MT No of poles: 6 LT HT	4	4	4	4
212	84 34 35		Hexagon head screw M20X90-A2-70 MT No of poles: 6 LT HT	12	12	12	12
212	84 34 34		Hexagon head screw M20X80-A2-70 HT	8	8	8	8
213	82 35 26		Plain washer 20-A2-A-170 HT No of poles: 6 LT MT	8	8	8	8
213	82 35 26		Plain washer 20-A2-A-170 HT No of poles: 8LT HT No of poles: 6 LT No of poles: 8LT MT	24	24	24	24

Pos. No	Part. No	Type	Denomination	Qty/Version			
				095	185	820	830
213	82 35 26		Plain washer 20-A2-A-170 HT No of poles: 6 LT MT No of poles: 8LT	16	16	16	16
213	82 35 26		Plain washer 20-A2-A-170 HT No of poles: 6 LT No of poles: 8LT MT		12		
213	82 35 26		Plain washer 20-A2-A-170 HT No of poles: 6 LT MT No of poles: 8LT		4		
214	80 95 96		Stud 24X100-A2-70 No of poles: 8LT	2	2	2	2
214	80 96 04		Stud 24X120-A2-70 No of poles: 8LT	2	2	2	2
215	82 23 62		Hexagon nut M20-A2-70 MT HT No of poles: 6 LT	4	4	4	4
215	82 23 62		Hexagon nut M20-A2-70 MT HT No of poles: 6 LT	12	12	12	12
215	82 23 62		Hexagon nut M20-A2-70 MT HT No of poles: 6 LT	8	8	8	8
216	380 25 01		Gasket 370 MM No of poles: 6 LT	1	1	1	1
216	384 45 00		Gasket 8" MT	1	1	1	1
216	295 64 00		Gasket 6" HT	1	1	1	1
217	437 88 01		Stand compl. S/T INSTALLATION	1	1	1	1
218	84 34 05		Hexagon head screw M16X50-A2-70	4	4	4	4
219	82 35 23		Plain washer 16-A2-A-170	4	4	4	4
221	84 65 81		Gasket 350 PN10 No of poles: 6 LT No of poles: 8LT		1		
221	384 45 00		Gasket 8" MT		1		
221	345 44 00		Gasket 250 PN10 HT		1		
222	84 34 38		Hexagon head screw M20X120-A2-70 No of poles: 8LT		16		
222	84 34 37		Hexagon head screw M20X110-A2-70 No of poles: 6 LT		16		
227	83 19 36		Coupling part	1	1	1	1
342	82 23 63		Hexagon nut M24-A2-70	4	4	4	4
343	82 35 28		Plain washer 24-A2-170	4	4	4	4

3301.660/670/860/870

Pos. No	Part. No	Type	Denomination	Qty/Version			
				660	670	860	870
163	82 69 41		Protective plug F11	4	4	4	4

Pos. No	Part. No	Type	Denomination	Qty/Version				
				660	670	860	870	
209	454 87 00		Sliding bracket	No of poles: 8 LT	1	1	1	1
209	607 38 00		Sliding bracket	For a new installation LT MT HT	1	1	1	1
209	669 84 00		Sliding bracket	Optional	1	1	1	1
210	83 04 58		Hex.socket hd screw M16X60-A4-80		4	4	4	4
211	479 26 00		Discharge connection	MT DN 250	1	1	1	1
211	379 32 00		Discharge connection	MT DN 200	1	1	1	1
211	295 57 00		Discharge connection	HT DN 150	1	1	1	1
211	309 31 00		Discharge connection	HT Thread : 6-8 NPSM Outer DN 150	1	1	1	1
211	309 31 01		Discharge connection	HT Thread : ISO G6 Outer Quick coupling: Storz DN 150	1	1	1	1
212	84 34 35		Hexagon head screw M20X90-A2-70	MT	4	4	4	4
212	84 34 35		Hexagon head screw M20X90-A2-70	MT	12	12	12	12
212	84 34 34		Hexagon head screw M20X80-A2-70	HT	8	8	8	8
213	82 35 26		Plain washer 20-A2-A-170	MT	8	8	8	8
				HT				
213	82 35 26		Plain washer 20-A2-A-170	MT	24	24	24	24
				HT				
213	82 35 26		Plain washer 20-A2-A-170	MT	16	16	16	16
				HT				
214	80 95 96		Stud 24X100-A2-70	No of poles: 8 LT	2	2	2	2
214	80 96 04		Stud 24X120-A2-70	No of poles: 8 LT	2	2	2	2
215	82 23 62		Hexagon nut M20-A2-70	MT	4	4	4	4
				HT				
215	82 23 62		Hexagon nut M20-A2-70	MT	12	12	12	12
				HT				
215	82 23 62		Hexagon nut M20-A2-70	MT	8	8	8	8
				HT				
216	384 45 00		Gasket 8"	MT	1	1	1	1
216	295 64 00		Gasket 6"	HT	1	1	1	1
217	437 88 01		Stand compl. S/T INSTALLATION		1	1	1	1
218	84 34 05		Hexagon head screw M16X50-A2-70		4	4	4	4
219	82 35 23		Plain washer 16-A2-A-170		4	4	4	4
227	83 19 36		Coupling part		1	1	1	1
342	82 23 63		Hexagon nut M24-A2-70		4	4	4	4
343	82 35 28		Plain washer 24-A2-170		4	4	4	4

Service Parts

3301.090/180/800/810

Pos. No	Part. No	Type	Denomination	Qty/Version			
				090	180	800	810
800	82 97 00		O-ring kit	1	1	1	1
800	82 97 01		O-ring kit	1	1	1	1
808	769 32 00		N-pump kit CURVE: 810 "N-LT"	1	1		
808	769 32 01		N-pump kit CURVE: 812	1	1		
808	769 32 02		N-pump kit CURVE: 814 "N-LT"	1	1		
808	769 32 03		N-pump kit CURVE: 816	1	1		
808	769 32 04		N-pump kit CURVE: 818	1	1		
808	769 32 05		N-pump kit CURVE: 620 "N-LT"	1	1		
808	769 32 06		N-pump kit CURVE: 622	1	1		
808	769 32 07		N-pump kit CURVE: 624 "N-LT"	1	1		
808	769 32 08		N-pump kit CURVE: 626	1	1		
808	769 32 09		N-pump kit CURVE: 628	1	1		
808	769 32 10		N-pump kit CURVE: 630 "N-MT"	1	1		
808	769 32 11		N-pump kit CURVE: 632	1	1		
808	769 32 12		N-pump kit CURVE: 634 "N-MT"	1	1		
808	769 32 13		N-pump kit CURVE: 636	1	1		
808	769 32 14		N-pump kit CURVE: 638 "N-MT"	1	1		
808	769 32 15		N-pump kit CURVE: 639	1	1		
808	769 32 17		N-pump kit CURVE: 452 "N-HT"	1	1		
808	769 32 18		N-pump kit CURVE: 454 "N-HT"	1	1		
808	769 32 19		N-pump kit CURVE: 456 "N-HT"	1	1		
808	769 32 20		N-pump kit CURVE: 458	1	1		
808	769 32 22		N-pump kit CURVE: 460	1	1		
808	769 32 23		N-pump kit CURVE: 462 "N-HT"	1	1		
808	769 32 24		N-pump kit CURVE: 464	1	1		
808	769 32 25		N-pump kit CURVE: 466 "N-HT"	1	1		
808	769 32 26		N-pump kit CURVE: 468	1	1		
900	657 17 05		Basic repair kit	1	1	1	1
900	657 17 06		Basic repair kit	1	1	1	1
901	90 20 76		Monopropylene glycol	*	*	*	*

3301.095/185/820/830

Pos. No	Part. No	Type	Denomination	Qty/Version			
				095	185	820	830
800	82 97 00		O-ring kit	1	1	1	1
800	82 97 01		O-ring kit	1	1	1	1
900	657 17 05		Basic repair kit	1	1	1	1
900	657 17 06		Basic repair kit	1	1	1	1
901	90 20 76		Monopropylene glycol	*	*	*	*

3301.660/670/860/870

Pos. No	Part. No	Type	Denomination	Qty/Version			
				660	670	860	870
800	82 97 00		O-ring kit	1	1	1	1
800	82 97 01		O-ring kit	1	1	1	1
808	769 32 00		N-pump kit CURVE: 810 "N-LT"	1	1		
808	769 32 01		N-pump kit CURVE: 812	1	1		
808	769 32 02		N-pump kit CURVE: 814 "N-LT"	1	1		
808	769 32 03		N-pump kit CURVE: 816	1	1		
808	769 32 04		N-pump kit CURVE: 818	1	1		
808	769 32 05		N-pump kit CURVE: 620 "N-LT"	1	1		
808	769 32 06		N-pump kit CURVE: 622	1	1		
808	769 32 07		N-pump kit CURVE: 624 "N-LT"	1	1		
808	769 32 08		N-pump kit CURVE: 626	1	1		
808	769 32 09		N-pump kit CURVE: 628	1	1		
808	769 32 10		N-pump kit CURVE: 630 "N-MT"	1	1		
808	769 32 11		N-pump kit CURVE: 632	1	1		
808	769 32 12		N-pump kit CURVE: 634 "N-MT"	1	1		
808	769 32 13		N-pump kit CURVE: 636	1	1		
808	769 32 14		N-pump kit CURVE: 638 "N-MT"	1	1		
808	769 32 15		N-pump kit CURVE: 639	1	1		
808	769 32 17		N-pump kit CURVE: 452 "N-HT"	1	1		
808	769 32 18		N-pump kit CURVE: 454 "N-HT"	1	1		
808	769 32 19		N-pump kit CURVE: 456 "N-HT"	1	1		
808	769 32 20		N-pump kit CURVE: 458	1	1		
808	769 32 22		N-pump kit CURVE: 460	1	1		
808	769 32 23		N-pump kit CURVE: 462 "N-HT"	1	1		
808	769 32 24		N-pump kit CURVE: 464	1	1		
808	769 32 25		N-pump kit CURVE: 466 "N-HT"	1	1		
808	769 32 26		N-pump kit CURVE: 468	1	1		
900	657 17 05		Basic repair kit	1	1	1	1
900	657 17 06		Basic repair kit	1	1	1	1
901			Monopropylene glycol	*	*	*	*