



# Flygt 3171

# Table of Contents

<b>Introduction.....</b>	<b>2</b>
Specially approved products.....	2
<b>Product Description.....</b>	<b>3</b>
The data plate.....	3
Approvals.....	4
Product denomination.....	5
<b>Drive Unit.....</b>	<b>7</b>
Standard and explosion-proof.....	7
3171.091/095/181/185.....	8
3171.800/810/820/830.....	15
3171.660/670/860/870.....	20
3171.350/390/840/850.....	26
<b>Hydraulic Unit.....</b>	<b>35</b>
F_ MT.....	35
F_ HT.....	36
F_ SH.....	37
N_ LT.....	38
N_ MT.....	39
N_ HT.....	40
N_ SH.....	41
3171.091/181/800/810.....	42
3171.095/185/820/830.....	45
3171.660/670/860/870.....	49
3171.350/390/840/850.....	50
<b>Installation Components.....</b>	<b>53</b>
FP/NP.....	53
FS/NS.....	54
FT/NT.....	55
FZ/NZ.....	56
3171.091/181/800/810.....	58
3171.095/185/820/830.....	59
3171.660/670/860/870.....	60
3171.350/390/840/850.....	60
<b>Service Parts.....</b>	<b>62</b>
3171.091/181/800/810.....	62
3171.095/185/820/830.....	63
3171.660/670/860/870.....	63
3171.350/390/840/850.....	65

# Introduction

## Purpose of this manual

The purpose of this manual is to provide necessary information on spare parts and accessories order.

## Disclaimer

Always use genuine Flygt parts. The use of other spare parts or accessories can invalidate any claims for warranty or compensation. Xylem does not take any responsibility for damages that are caused by the use of non-original parts. For more information, contact your local sales and service representative.

## Data for ordering spare parts

The following information is needed for spare part orders:

- Serial number of the product
- Part number
- Quantity of bulk material, see \* in tables

## Specially approved products

### Qualification of personnel

Only Xylem or Xylem-authorized service personnel may undertake repair work on Ex-approved products.

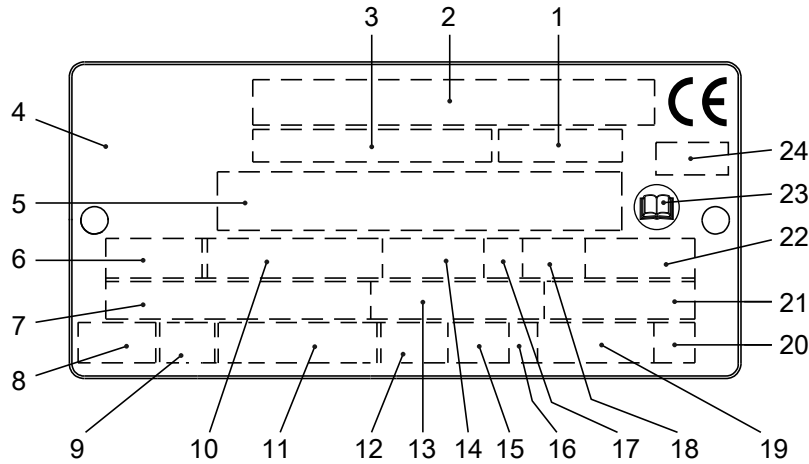
### Dimensional accuracy inspection

Spare parts marked with (Ex) after the part number are subject to dimensional accuracy inspection.

# Product Description

## The data plate

The data plate is a metal label that is located on the main body of the products. The data plate lists key product specifications. Specially approved products also have an approval plate.



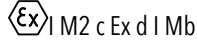
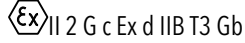

WS006257A

1. Curve code or Propeller code
2. Serial number
3. Product number
4. Country of origin
5. Additional information
6. Phase; type of current; frequency
7. Rated voltage
8. Thermal protection
9. Thermal class
10. Rated shaft power
11. International standard
12. Degree of protection
13. Rated current
14. Rated speed
15. Maximum submergence
16. Direction of rotation: L=left, R=right
17. Duty class
18. Duty factor
19. Product weight
20. Locked rotor code letter
21. Power factor
22. Maximum ambient temperature
23. Read installation manual
24. Notified body, only for EN-approved Ex products

Figure 1: The data plate

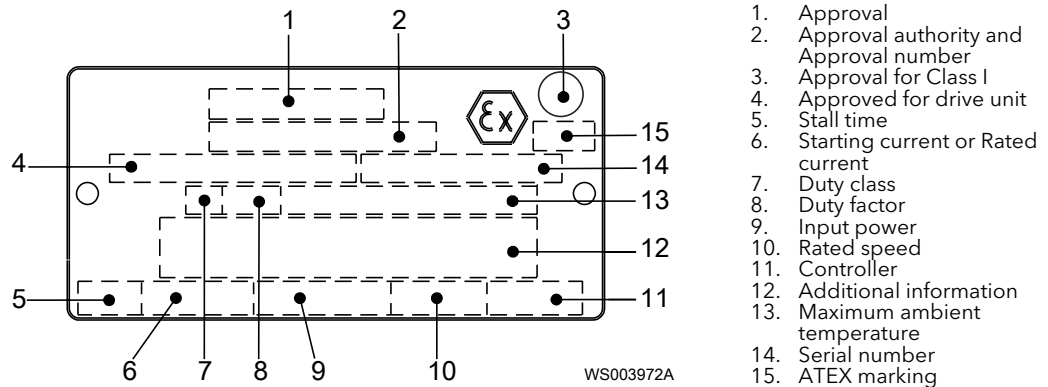
# Approvals

## Product approvals for hazardous locations

Pump	Approval
<ul style="list-style-type: none"> <li>• 3171.091</li> <li>• 3171.095</li> <li>• 3171.390</li> <li>• 3171.670</li> <li>• 3171.810</li> <li>• 3171.830</li> <li>• 3171.850</li> <li>• 3171.870</li> </ul>	European Norm (EN) <ul style="list-style-type: none"> <li>• ATEX Directive</li> <li>• EN 60079-0:2009, EN 60079-1:2007, EN 13463-1:2009, EN 13463-5:2011</li> <li>•  I M2 c Ex d I Mb</li> <li>•  II 2 G c Ex d IIB T3 Gb</li> </ul>
	EN approval for cable entry: <ul style="list-style-type: none"> <li>• Certificate number: INERIS 02ATEX9008 U</li> <li>•  II 2 G Ex d IIC Gb or I M2 Ex d I Mb</li> </ul>
	IEC <ul style="list-style-type: none"> <li>• IECEx scheme</li> <li>• IEC 60079-0, IEC 60079-1</li> <li>• Ex d I</li> <li>• Ex d IIB T3</li> </ul>
	FM (FM Approvals) <ul style="list-style-type: none"> <li>• Explosionproof for use in Class I, Div. 1, Group C and D</li> <li>• Dust ignition proof for use in Class II, Div. 1, Group E, F and G</li> <li>• Suitable for use in Class III, Div. 1, Hazardous Locations</li> </ul>

### EN approval plate

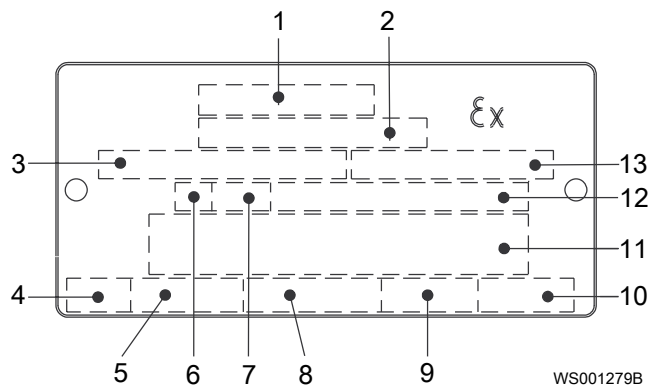
This illustration describes the EN approval plate and the information that is contained in its fields.



### IEC approval plate

This illustration describes the IEC approval plate and the information that is contained in its fields.

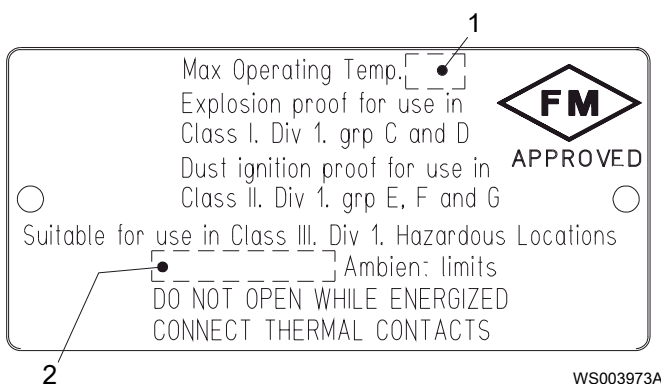
International Norm; not for EU member countries.



1. Approval
2. Approval authority and Approval number
3. Approved for drive unit
4. Stall time
5. Starting current or Rated current
6. Duty class
7. Duty factor
8. Input power
9. Rated speed
10. Controller
11. Additional information
12. Maximum ambient temperature
13. Serial number

**FM approval plate**

This illustration describes the FM approval plate and the information that is contained in its fields.



1. Temperature class
2. Maximum ambient temperature

**Product denomination**

**Reading instruction**

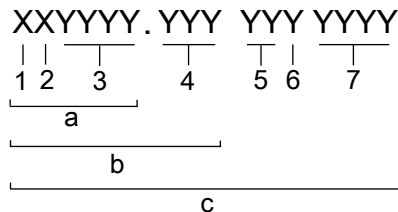
In this section, code characters are illustrated accordingly:

X = letter

Y = digit

The different types of codes are marked up with a, b and c. Code parameters are marked up with numbers.

**Codes and parameters**



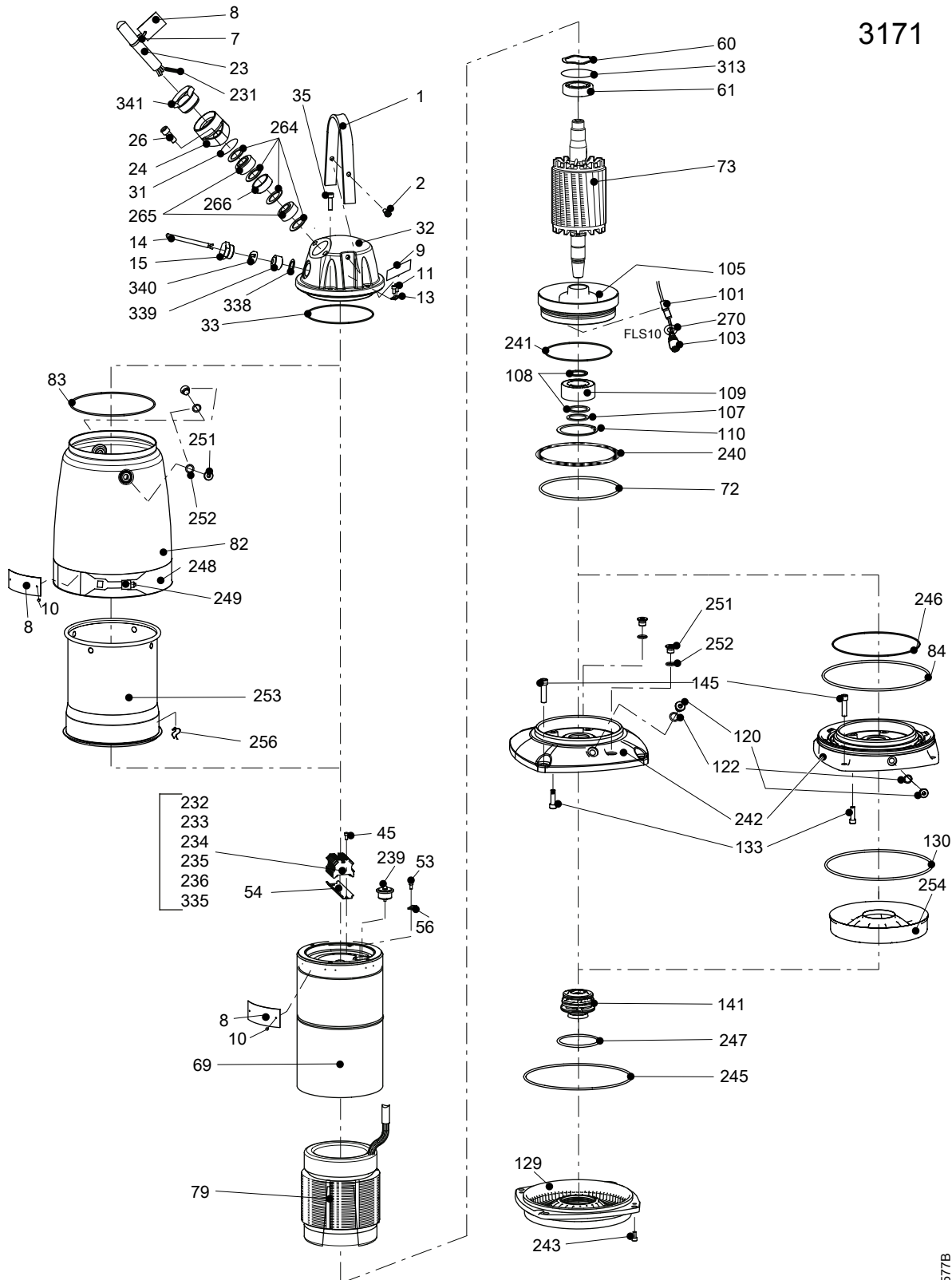
WS006265B

Type of Callout	Number	Indication
Type of code	a	Sales denomination
	b	Product code
	c	Serial number

Type of Callout	Number	Indication
Parameter	1	Hydraulic end
	2	Type of installation
	3	Sales code
	4	Version
	5	Production year
	6	Production cycle
	7	Running number

# Drive Unit

Standard and explosion-proof



31577B



## 3171.091/095/181/185

Pos. No	Part. No	Type	Denomination	Qty/Version			
				091	095	181	185
1	651 05 00		Lifting handle	1	1	1	1
2	83 04 53		Hex.socket hd screw M12X45-A4-80	2	2	2	2
7	83 45 52		Cable tie 292X3.5 MM	1	1	1	1
7	83 45 59		Cable tie 200X2.4 PA 6/6 -55+105	1	1	1	1
8	630 68 00		Data plate USE 6306801 AS SPARE PART	2	2	2	2
8	630 69 00		Certificate plate EN	2	2		
8	630 70 00		Certificate plate FM	2	2		
8	630 69 01	(Ex)	Certificate plate IECEX	2	2		
8	630 76 00		Plate HOT WATER PRODUCT			1	1
9	773 29 00		Connection plate	1	1	1	1
9	83 93 50		Marking strip 5-GW(T1;T2;T15;T16)	1	1	1	1
9	81 65 46		Marking plate	1	1	1	1
9	83 93 51		Marking strip W5;V5;U5;V2;W1;U2;V1;W2;U	1	1	1	1
10	82 20 88		Drive screw 4X5-A2/A4	4	4	4	4
10	82 20 88		Drive screw 4X5-A2/A4	2	2		
11	82 00 11		Hex.socket hd screw M6X12-A2-70	2	2		
13	642 16 00		Earthing plate	1	1		
14	94 19 22		Control cable subcab 7X1,5 OD=15-17 MM	*	*	*	*
14	94 19 30		Control cable s-flex 25X1.5 OD=19.4-21.4 MM	Optional	1	1	1
15	397 81 00	(Ex)	Gland screw FOR CABLE ENTRY	1	1	1	1
23	94 20 59		Motor cable subcab	SUBCAB 4G2,5+2x1,5	*	*	*
23	94 20 60		Motor cable subcab	SUBCAB 4G4+2x1,5	*	*	*
23	94 20 56		Motor cable subcab	SUBCAB 4G6+2x1,5	*	*	*
23	94 19 81		Motor cable subcab	SUBCAB 4G10+S(2x0,5)	*	*	*
23	94 19 82		Motor cable subcab	SUBCAB 4G16+S(2x0,5)	*	*	*
23	94 20 82		Motor cable subcab	SUBCAB 7G2,5+2x1,5	*	*	*
23	94 20 80		Motor cable subcab	SUBCAB 7G4+2x1,5	*	*	*
23	94 19 80		Motor cable subcab	SUBCAB 7G6+S(2x0,5)	*	*	*
23	94 19 83		Motor cable subcab	SUBCAB 4G25+S(2x0,5)	*	*	*
23	94 19 90		Motor cable subcab	SUBCAB S3x2,5+3x2,5/3+S(4x0,5)	*	*	*
23	94 19 91		Motor cable subcab	SUBCAB S3x6+3x6/3+S(4x0,5)	*	*	*
23	94 19 93		Motor cable subcab	SUBCAB S3x16+3x16/3+S(4x0,5)	*	*	*
23	94 21 04		Motor cable subcab				*
24	642 17 01	(Ex)	Entrance flange	1	1	1	1
24	597 87 01	(Ex)	Entrance flange SS	1	1	1	1
24	597 87 04	(Ex)	Entrance flange ISO 228/1-G2	1		1	
24	597 87 08	(Ex)	Entrance flange 2-11.5 NPT	1		1	
24	597 87 11	(Ex)	Entrance flange 1 1/2-11.5 NPT	1	1	1	1
26	83 04 53		Hex.socket hd screw M12X45-A4-80	2	2	2	2
30	517 38 00		Metal hose ISO 7/1 RP 2"	1	1	1	1

Pos. No	Part. No	Type	Denomination	Qty/Version			
				091	095	181	185
31	82 74 63		O-ring 49.5X3 NBR	1	1	1	1
31	82 81 03		O-ring 49.5X3 FPM	1	1	1	1
32	650 87 01	(Ex)	Entrance cover	1	1		
32	650 87 03	(Ex)	Entrance cover	1	1		
32	650 87 00		Entrance cover			1	1
32	650 87 02		Entrance cover			1	1
33	82 74 92		O-ring 194.3X5.7 NBR	1	1	1	1
33	82 75 24		O-ring 194.3X5.7 FPM	1	1	1	1
35	83 04 53		Hex.socket hd screw M12X45-A4-80	4	4	4	4
45	82 00 11		Hex.socket hd screw M6X12-A2-70	2	2	2	2
49	83 42 48		End sleeve H16/24	3	3	3	3
49	83 42 49		End sleeve H25/30	3	3	3	3
51	83 42 62		Closed end splice 0.33-0.82(AWG 22-18) L=18	2	2	2	2
53	82 00 11		Hex.socket hd screw M6X12-A2-70	2	2	2	2
54	651 04 00		Rail	1	1	1	1
56	642 16 00		Earthing plate	1	1	1	1
60	82 56 25		Spring washer 71.5X59X0.55 MM	1	1	1	1
61	83 30 16		Ball bearing 30X72X30.2 MM	1	1	1	1
69	650 90 05	(Ex)	Stator housing	1	1		
69	650 90 04		Stator housing			1	1
72	82 74 97		O-ring 239.5X5.7 NBR	1	1	1	1
72	82 80 86		O-ring 239.3X5.7 FPM	1	1	1	1
73	647 45 00	(Ex)	Shaft unit	1	1	1	1
73	652 46 03	(Ex)	Shaft unit	1	1	1	1
73	652 46 04	(Ex)	Shaft unit	1	1	1	1
73	652 46 05	(Ex)	Shaft unit	1	1	1	1
73	649 74 00	(Ex)	Shaft unit	1	1	1	1
79	647 43 01		Stator 25-18-2a	1	1	1	1
			50Hz 2-poles 400V-440V D 690V Y P2=22kW				
			60Hz 2-poles 460V D P1=23KW				
			50Hz 2-poles 400V-440V D 690V Y P1=19,7KW				
			60Hz 2-poles 460V D P2=26kW/ 35hp				
79	647 43 02		Stator 25-18-2a	1	1	1	1
			50Hz 2-poles 400V Y 230V D P2=22kW				
			50Hz 2-poles 400V Y 230V D P1=19,7KW				
79	647 43 03		Stator 25-18-2a	1	1	1	1
			50Hz 2-poles 660V Y 380V D P2=22kW				
			60Hz 2-poles 440V D P1=23KW				
			50Hz 2-poles 660V Y 380V D P1=19,7KW				
			60Hz 2-poles 440V D P2=26kW/ 35hp				

Pos. No	Part. No	Type	Denomination	Qty/Version			
				091	095	181	185
79	647 43 07		Stator 25-18-2a 50Hz 2-poles 500V D P2=22kW 60Hz 2-poles 575V-600V D P1=23KW 50Hz 2-poles 500V D P1=19,7KW 60Hz 2-poles 575V-600V D P2=26kW/35hp	1	1	1	1
79	647 43 09		Stator 25-18-2a 60Hz 2-poles 460V YSER 230V Y// P1=23KW 60Hz 2-poles 460V YSER 230V Y// P2=26kW/35hp	1	1	1	1
79	647 25 01		Stator 25-14-4a 50Hz 4-poles 660V-690V Y 380V-400V D P2=15kW 60Hz 4-poles 460V D P1=18,6KW 50Hz 4-poles 660V-690V Y 380V-400V D P1=13,5KW 60Hz 4-poles 460V D P2=18,6kW/ 25hp	1	1	1	1
79	647 25 02		Stator 25-14-4a 50Hz 4-poles 400V Y 230V D P2=15kW 50Hz 4-poles 400V Y 230V D P1=13,5KW	1	1	1	1
79	647 25 05		Stator 25-14-4a 50Hz 4-poles 415V-440V D P2=15kW 50Hz 4-poles 415V-440V D Max P1=13,6KW	1	1	1	1
79	647 25 07		Stator 25-14-4a 60Hz 4-poles 460V YSER 230V Y// P1=18,5KW 60Hz 4-poles 460V YSER 230V Y// P2=18,6kW/25hp	1	1	1	1
79	647 25 08		Stator 25-14-4a 60Hz 4-poles 380V D P1=18,6KW 60Hz 4-poles 380V D P2=18,6kW/ 25hp	1	1	1	1
79	647 25 06		Stator 25-14-4a 50Hz 4-poles 500V D P2=15kW 60Hz 4-poles 575V-600V D P1=18,6KW 50Hz 4-poles 500V D P1=13,5KW 60Hz 4-poles 575V-600V D P2=18,6kW/25hp	1	1	1	1
79	647 62 01		Stator 25-17-4a 50Hz 4-poles 660V-690V Y 380V-400V D P2=18,5kW 60Hz 4-poles 440V-460V D Max P1=20KW 50Hz 4-poles 660V-690V Y 380V-400V D P1=17KW 60Hz 4-poles 440V-460V D P2=22kW/30hp	1	1	1	1
79	647 62 02		Stator 25-17-4a 50Hz 4-poles 400V Y 230V D P2=18,5kW 50Hz 4-poles 400V Y 230V D P1=17KW	1	1	1	1

Pos. No	Part. No	Type	Denomination	Qty/Version			
				091	095	181	185
79	647 62 05		Stator 25-17-4a 50Hz 4-poles 415V-440V D P2=18,5kW 50Hz 4-poles 415V-440V D Max P1=17,1KW	1	1	1	1
79	647 62 07		Stator 25-17-4a 60Hz 4-poles 460V YSER 230V Y// P1=20KW 60Hz 4-poles 460V YSER 230V Y// P2=22kW/30hp	1	1	1	1
79	647 62 13		Stator 25-17-4a 60Hz 4-poles 380V D P1=20KW 60Hz 4-poles 380V D P2=22kW/ 30hp	1	1	1	1
79	647 62 06		Stator 25-17-4a 50Hz 4-poles 500V D P2=18,5kW 60Hz 4-poles 575V-600V D P1=20KW 50Hz 4-poles 500V D P1=17KW 60Hz 4-poles 575V-600V D P2=22kW/30hp	1	1	1	1
79	692 99 01		Stator 25-19-4a 50Hz 4-poles 660V-690V Y 380V-400V D P2=22kW 60Hz 4-poles 440V-460V D Max P1=26KW 50Hz 4-poles 660V-690V Y 380V-400V D P1=23KW 60Hz 4-poles 440V-460V D P2=25kW/34hp	1	1	1	1
79	692 99 02		Stator 25-19-4a 50Hz 4-poles 400V Y 230V D P2=22kW 50Hz 4-poles 400V Y 230V D P1=22KW	1	1	1	1
79	692 99 05		Stator 25-19-4a 50Hz 4-poles 415V-440V D P2=22kW 50Hz 4-poles 415V-440V D P1=22KW	1	1	1	1
79	692 99 07		Stator 25-19-4a 60Hz 4-poles 460V YSER 230V Y// P1=25KW 60Hz 4-poles 460V YSER 230V Y// P2=25kW/34hp	1	1	1	1
79	692 99 06		Stator 25-19-4a 50Hz 4-poles 500V D P2=22kW 60Hz 4-poles 575V-600V D Max P1=26KW 50Hz 4-poles 500V D P1=22KW 60Hz 4-poles 575V-600V D P2=25kW/34hp	1	1	1	1
79	692 99 08		Stator 25-19-4a 60Hz 4-poles 380V D P1=26KW 60Hz 4-poles 380V D P2=25kW/ 34hp	1	1	1	1

Pos. No	Part. No	Type	Denomination	Qty/Version			
				091	095	181	185
79	660 06 01		Stator 25-18-6b 50Hz 6-poles 660V-690V Y 380V-400V D P2=15kW 60Hz 6-poles 440V-460V D P1=17KW 50Hz 6-poles 660V-690V Y 380V-400V D P1=14,5KW 60Hz 6-poles 440V-460V D P2=18,6kW/25hp	1	1	1	1
79	660 06 02		Stator 25-18-6b 50Hz 6-poles 400V Y 230V D P2=15kW 50Hz 6-poles 400V Y 230V D P1=14,4KW	1	1	1	1
79	660 06 05		Stator 25-18-6b 50Hz 6-poles 415V-440V D P2=15kW 50Hz 6-poles 415V-440V D Max P1=14,5KW	1	1	1	1
79	660 06 07		Stator 25-18-6b 60Hz 6-poles 460V YSER 230V Y// P1=17KW 60Hz 6-poles 460V YSER 230V Y// P2=18,6kW/25hp	1	1	1	1
79	660 06 08		Stator 25-18-6b 60Hz 6-poles 380V D P1=17KW 60Hz 6-poles 380V D P2=18,6kW/ 25hp	1	1	1	1
79	660 06 06		Stator 25-18-6b 50Hz 6-poles 500V D P2=15kW 60Hz 6-poles 575V-600V D P1=16,9KW 50Hz 6-poles 500V D P1=14,4KW 60Hz 6-poles 575V-600V D P2=18,6kW/25hp	1	1	1	1
79	657 94 05		Stator 25-14-4a 50Hz 4-poles 415V-440V D P2=15kW Termistor 50Hz 4-poles 415V-440V D Max P1=13,6KW Termistor			1	1
79	657 95 05		Stator 25-17-4a 50Hz 4-poles 415V-440V D P2=18,5kW Termistor 50Hz 4-poles 415V-440V D Max P1=17,1KW Termistor			1	1
79	696 41 05		Stator 25-19-4a 50Hz 4-poles 415V-440V D P2=22kW Termistor 50Hz 4-poles 415V-440V D P1=22KW Termistor			1	1
79	678 83 05		Stator 25-18-6b 50Hz 6-poles 415V-440V D P2=15kW Termistor 50Hz 6-poles 415V-440V D Max P1=14,5KW Termistor			1	1
79	689 08 01		Stator 25-18-2a 50Hz 2-poles 400V-440V D P2=22kW Termistor 50Hz 2-poles 400V-440V D P1=19,7KW Termistor			1	
82	650 93 00		Cooling jacket Material: Steel	1	1	1	1
82	650 93 01		Cooling jacket Material: stainless steel (ASTM 316L)	1	1	1	1

Pos. No	Part. No	Type	Denomination	Qty/Version			
				091	095	181	185
83	82 74 99		O-ring 259.3X5.7 NBR	1	1	1	1
83	82 81 06		O-ring 259.3X5.7 FPM	1	1	1	1
84	82 75 05		O-ring 339.3X5.7 NBR	1	1	1	1
84	82 75 23		O-ring 339.3X5.7 FPM	1	1	1	1
101	650 51 00		Cable unit FLS10	1	1	1	1
103	663 04 00	(Ex)	Level sensor FLS10	1	1	1	1
105	650 80 01	(Ex)	Bearing holder	1	1		
105	650 80 00		Bearing holder			1	1
107	82 59 12		Retaining ring SGA 55	1	1	1	1
108	82 44 19		Supporting washer S 55X68X3	2	2	2	2
109	83 30 21		Ball bearing 3311A-2Z/C3VT113	1	1	1	1
110	83 07 63		Retaining ring 120/2,85	1	1	1	1
120	642 13 00		Plug	1	1	1	1
122	82 76 85		O-ring 17X3 NBR	1	1	1	1
122	82 79 15		O-ring 17X3 FPM	1	1	1	1
129	650 78 00		Seal housing cover	1	1	1	1
130	82 78 59		O-ring 290X3 NBR	1	1	1	1
133	83 04 53		Hex.socket hd screw M12X45-A4-80	6	6	6	6
141	619 64 30		Mechanical seal DIAM.45 PLUGIN, WCCR/WCCR	1	1	1	1
141	619 64 31		Mechanical seal DIAM.45 PLUGIN, WCCR/RSIC	1	1	1	1
145	83 04 58		Hex.socket hd screw M16X60-A4-80	4	4	4	4
228	663 85 00		Connection plate	1	1	1	1
229	667 40 01		Sticker	2	2	2	2
231	93 00 77		Shrink hose ID=6.4 MM	*	*	*	*
231	93 00 78		Shrink hose ID=9.5 MM	*	*	*	*
232	83 53 58		Terminal clamp WDU6/10	3	3	3	3
232	83 53 58		Terminal clamp WDU6/10			4	4
233	83 53 61		Terminal clamp WDU16,1000V	6	6	6	6
233	83 53 17		Terminal clamp WDU35/IK/ZA	6	6	6	6
233	83 53 17		Terminal clamp WDU35/IK/ZA	8	8	8	8
234	83 53 67		Cross connection WQV16/2	3	3	3	3
234	650 20 02		Cross connection	1	1	1	1
234	83 53 49		Cross connection WQW35/2	3	3	3	3
234	650 20 03		Cross connection	1	1	1	1
234	83 53 49		Cross connection WQW35/2	4	4	4	4
235	83 53 54		End support WEW 35/2	2	2	2	2
236	83 53 50		Partition	1	1	1	1
239	650 84 01		El.lead through unit	1	1	1	1
240	607 48 04		Spring	1	1	1	1
241	82 74 95		O-ring 219.3X5.7 NBR	1	1	1	1
241	82 75 21		O-ring 219.3X5.7 FPM	1	1	1	1
241	82 75 21		O-ring 219.3X5.7 FPM	1		1	
242	650 89 01	(Ex)	Adapter	1	1		

Pos. No	Part. No	Type	Denomination	Qty/Version			
				091	095	181	185
242	650 88 11	(Ex)	Adapter Cooling jacket	1	1		
242	650 89 00		Adapter			1	1
242	650 88 10		Adapter Cooling jacket			1	1
243	83 04 61		Hex.socket hd screw M12X25-A4-80	2	2	2	2
245	82 75 05		O-ring 339.3X5.7 NBR	1	1	1	1
245	82 75 23		O-ring 339.3X5.7 FPM	1	1	1	1
246	82 78 59		O-ring 290X3 NBR	1	1	1	1
247	82 95 70		O-ring 92X4 FPM	1	1	1	1
248	608 27 01		Strip	1	1	1	1
249	82 32 50		Clip	1	1	1	1
251	642 13 00		Plug	2	2	2	2
252	82 76 85		O-ring 17X3 NBR	2	2	2	2
252	82 79 15		O-ring 17X3 FPM	2	2	2	2
253	650 94 00		Cooling jacket "INNER"	1	1	1	1
254	651 06 00		Flow diffusor	1	1	1	1
256	608 42 00		Wire bow	4	4	4	4
264	82 40 81		Plain washer (30)-32 MM	4	4	4	
264	82 40 82		Plain washer (32)-34 MM	4	4	4	4
264	82 40 69		Plain washer (33)-35 MM	4	4	4	4
265	84 18 00		Seal sleeve (14)-17 MM	2		2	
265	84 18 02		Seal sleeve (20)-23 MM	2	2	2	2
265	84 18 03		Seal sleeve (23)-26 MM	2	2	2	2
265	84 18 04		Seal sleeve (26)-29 MM	2	2	2	2
265	84 18 06		Seal sleeve (32)-35 MM	2	2	2	2
265	84 18 01		Seal sleeve (17)-20 MM	2	2	2	
265	84 18 05		Seal sleeve (29)-32 MM	2	2	2	2
266	597 98 02		Ring	1	1	1	1
270	608 31 00		Lock washer	1	1		
313	82 71 72		O-ring 71.2X3 FPM	1	1	1	1
335	83 53 77		Terminal clamp	1	1	1	1
336	83 42 36		End sleeve 0.75 MM2; L=6 MM	2	2	2	2
337	94 10 83		Insulating hose pvc D=8 MM	*	*	*	*
338	82 40 61		Plain washer (10)-22 MM	1	1	1	1
339	84 17 90		Seal sleeve (10)-12 MM	1	1	1	1
339	84 17 92		Seal sleeve (14)-16 MM	1	1	1	1
340	678 58 12		Cable clip (10)-12 MM	1	1	1	1
340	678 58 16		Cable clip (14)-16 MM	1	1	1	1
341	633 11 01		Gland screw 1 1/4" ISO.FOR METAL HOSE	1	1	1	1
341	633 11 04		Gland screw 1 1/2" NPT.FOR METAL HOSE	1	1	1	1
912	82 76 85		O-ring 17X3 NBR	3	3	3	3
912	82 79 15		O-ring 17X3 FPM	3	3	3	3

3171.800/810/820/830

Pos. No	Part. No	Type	Denomination	Qty/Version			
				800	810	820	830
1	651 05 00		Lifting handle	1	1	1	1
2	83 04 53		Hex.socket hd screw M12X45-A4-80	2	2	2	2
7	83 45 52		Cable tie 292X3.5 MM	1	1	1	1
7	83 45 59		Cable tie 200X2.4 PA 6/6 -55+105	1	1	1	1
8	630 68 00		Data plate USE 6306801 AS SPARE PART	2	2	2	2
8	630 69 00		Certificate plate EN		2		2
8	630 70 00		Certificate plate FM		2		2
8	630 69 01	(Ex)	Certificate plate IECEX		2		2
9	773 29 00		Connection plate	1	1	1	1
9	83 93 50		Marking strip 5-GW(T1;T2;T15;T16)	1	1	1	1
9	81 65 46		Marking plate	1	1	1	1
9	83 93 51		Marking strip W5;V5;U5;V2;W1;U2;V1;W2;U	1	1	1	1
10	82 20 88		Drive screw 4X5-A2/A4	4	4	4	4
10	82 20 88		Drive screw 4X5-A2/A4		2		2
11	82 00 11		Hex.socket hd screw M6X12-A2-70		2		2
13	642 16 00		Earthing plate		1		1
14	94 19 22		Control cable subcab 7X1,5 OD=15-17 MM	*	*	*	*
14	94 19 30		Control cable s-flex 25X1.5 OD=19.4-21.4 MM	Optional	1	1	1
15	397 81 00	(Ex)	Gland screw FOR CABLE ENTRY	1	1	1	1
23	94 20 59		Motor cable subcab	SUBCAB 4G2,5+2x1,5	*	*	
23	94 20 60		Motor cable subcab	SUBCAB 4G4+2x1,5	*	*	*
23	94 20 56		Motor cable subcab	SUBCAB 4G6+2x1,5	*	*	*
23	94 19 81		Motor cable subcab	SUBCAB 4G10+S(2x0,5)	*	*	*
23	94 19 82		Motor cable subcab	SUBCAB 4G16+S(2x0,5)	*	*	*
23	94 20 82		Motor cable subcab	SUBCAB 7G2,5+2x1,5	*	*	*
23	94 20 80		Motor cable subcab	SUBCAB 7G4+2x1,5	*	*	*
23	94 19 80		Motor cable subcab	SUBCAB 7G6+S(2x0,5)	*	*	*
23	94 19 83		Motor cable subcab	SUBCAB 4G25+S(2x0,5)	*	*	*
23	94 19 90		Motor cable subcab	SUBCAB S3x2,5+3x2,5/3+S(4x0,5)	*	*	
23	94 19 91		Motor cable subcab	SUBCAB S3x6+3x6/3+S(4x0,5)	*	*	*
23	94 19 93		Motor cable subcab	SUBCAB S3x16+3x16/3+S(4x0,5)	*	*	*
24	642 17 01	(Ex)	Entrance flange	1	1	1	1
24	597 87 01	(Ex)	Entrance flange SS	1	1	1	1
24	597 87 04	(Ex)	Entrance flange ISO 228/1-G2	1	1		
24	597 87 08	(Ex)	Entrance flange 2-11.5 NPT	1	1		
24	597 87 11	(Ex)	Entrance flange 1 1/2-11.5 NPT	1	1	1	1
25	84 41 09		Plate 35 MM	1	1	1	1
26	83 04 53		Hex.socket hd screw M12X45-A4-80	2	2	2	2
30	517 38 00		Metal hose ISO 7/1 RP 2"	1	1	1	1
31	82 74 63		O-ring 49.5X3 NBR	1	1	1	1



Pos. No	Part. No	Type	Denomination	Qty/Version			
				800	810	820	830
31	82 81 03		O-ring 49.5X3 FPM	1	1	1	1
32	650 87 00		Entrance cover	1		1	
32	650 87 02		Entrance cover Cable entry auxiliary cable	1		1	
32	650 87 01	(Ex)	Entrance cover		1		1
32	650 87 03	(Ex)	Entrance cover Cable entry auxiliary cable		1		1
33	82 74 92		O-ring 194.3X5.7 NBR	1	1	1	1
33	82 75 24		O-ring 194.3X5.7 FPM	1	1	1	1
35	83 04 53		Hex.socket hd screw M12X45-A4-80	4	4	4	4
45	82 00 11		Hex.socket hd screw M6X12-A2-70	2	2	2	2
49	83 42 48		End sleeve H16/24	3	3	3	3
49	83 42 49		End sleeve H25/30	3	3	3	3
51	83 42 62		Closed end splice 0.33-0.82(AWG 22-18) L=18	2	2	2	2
53	82 00 11		Hex.socket hd screw M6X12-A2-70	2	2	2	2
54	651 04 00		Rail	1	1	1	1
56	642 16 00		Earthing plate	1	1	1	1
60	82 56 25		Spring washer 71.5X59X0.55 MM	1	1	1	1
61	83 30 16		Ball bearing 30X72X30.2 MM	1	1	1	1
69	755 95 00		Stator housing	1		1	
69	755 95 01	(Ex)	Stator housing		1		1
72	82 74 97		O-ring 239.5X5.7 NBR	1	1	1	1
72	82 80 86		O-ring 239.3X5.7 FPM	1	1	1	1
73	647 45 02	(Ex)	Shaft unit 25-31-2	1	1	1	1
73	755 94 00	(Ex)	Shaft unit 25-32-6	1	1	1	1
73	754 67 02	(Ex)	Shaft unit 25-27-4	1	1	1	1
73	754 67 01	(Ex)	Shaft unit 25-32-4	1	1	1	1
73	786 45 00		Stator base 25-32-6k	1		1	
79	760 24 01		Stator 25-31-2i 50Hz 2-poles 380V-400V D 660V-690V Y P2=22kW 60Hz 2-poles 460V D P2=26kW/35hp	1	1	1	1
79	760 24 02		Stator 25-31-2i 50Hz 2-poles 230V D 400V Y P2=22kW	1	1	1	1
79	760 24 03		Stator 25-31-2i 50Hz 2-poles 415V-440V D P2=22kW 60Hz 2-poles 440V D P2=26kW/35hp	1	1	1	1
79	760 24 07		Stator 25-31-2i 50Hz 2-poles 500V D P2=22kW 60Hz 2-poles 575V-600V D P2=26kW/35hp	1	1	1	1
79	760 24 09		Stator 25-31-2i 60Hz 2-poles 230V Y/// 460V YSER P2=26kW/35hp	1	1	1	1
79	760 24 11	(Ex)	Stator 25-31-2i 60Hz 2-poles 380V D P2=26kW/35hp	1	1	1	1

Pos. No	Part. No	Type	Denomination	Qty/Version			
				800	810	820	830
79	786 44 01		Stator 25-32-6k 50Hz 6-poles 380V-400V D 660V-690V Y P2=10kW 60Hz 6-poles 440V-460V D P2=13,40kW/18hp	1	1	1	1
79	786 44 02		Stator 25-32-6k 50Hz 6-poles 230V D 400V Y P2=10kW	1	1	1	1
79	786 44 05		Stator 25-32-6k 50Hz 6-poles 415V-440V D P2=10kW	1	1	1	1
79	786 44 07		Stator 25-32-6k 60Hz 6-poles 230V Y// 460V YSER P2=13,40kW/18hp	1	1	1	1
79	786 44 08		Stator 25-32-6k 60Hz 6-poles 380V D P2=13,40kW/ 18hp	1	1	1	1
79	786 44 06		Stator 25-32-6k 50Hz 6-poles 500V D P2=10kW 60Hz 6-poles 575V-600V D P2=13,40kW/18hp	1	1	1	1
79	769 20 01		Stator 25-27-4i 50Hz 4-poles 380V-400V D 660V-690V Y P2=15kW 60Hz 4-poles 440V-460V D P2=18,60kW/25hp	1	1	1	1
79	769 20 02		Stator 25-27-4i 50Hz 4-poles 230V D 400V Y P2=15kW	1	1	1	1
79	769 20 05		Stator 25-27-4i 50Hz 4-poles 415V-440V D P2=15kW	1	1	1	1
79	769 20 07		Stator 25-27-4i 60Hz 4-poles 230V Y// 460V YSER P2=18,60kW/25hp	1	1	1	1
79	769 20 08		Stator 25-27-4i 60Hz 4-poles 380V D P2=18,60kW/ 25hp	1	1	1	1
79	769 20 06		Stator 25-27-4i 50Hz 4-poles 500V D P2=15kW 60Hz 4-poles 575V-600V D P2=18,60kW/25hp	1	1	1	1
79	769 21 01		Stator 25-32-4k 50Hz 4-poles 380V-400V D 660V-690V Y P2=18,50kW 60Hz 4-poles 440V-460V D P2=22kW/30hp	1	1	1	1
79	769 21 02		Stator 25-32-4k 50Hz 4-poles 230V D 400V Y P2=18,50kW	1	1	1	1
79	769 21 05		Stator 25-32-4k 50Hz 4-poles 400V-440V D 690V Y P2=18,50kW	1	1	1	1
79	769 21 07		Stator 25-32-4k 60Hz 4-poles 230V Y// 460V YSER P2=22kW/30hp	1	1	1	1
79	769 21 13		Stator 25-32-4k 60Hz 4-poles 380V D P2=22kW/ 30hp	1	1	1	1
79	769 21 06		Stator 25-32-4k 50Hz 4-poles 500V D P2=18,50kW 60Hz 4-poles 575V-600V D P2=22kW/30hp	1	1	1	1
79	761 73 01		Stator 25-32-4i 50Hz 4-poles 380V-400V D 660V-690V Y P2=22kW 60Hz 4-poles 440V-460V D P2=25kW/34hp	1	1	1	1
79	761 73 02		Stator 25-32-4i 50Hz 4-poles 230V D 400V Y P2=22kW	1	1	1	1

Pos. No	Part. No	Type	Denomination	Qty/Version			
				800	810	820	830
79	761 73 05		Stator 25-32-4i 50Hz 4-poles 415V D P2=22kW	1	1	1	1
79	761 73 07		Stator 25-32-4i 60Hz 4-poles 230V Y// 460V YSER P2=25kW/34hp	1	1	1	1
79	761 73 06		Stator 25-32-4i 50Hz 4-poles 500V D P2=22kW 60Hz 4-poles 575V-600V D P2=25kW/34hp	1	1	1	1
79	761 73 08		Stator 25-32-4i 60Hz 4-poles 380V D P2=25kW/ 34hp	1	1	1	1
79	755 91 01		Stator 25-32-6i 50Hz 6-poles 380V-400V D 660V-690V Y P2=15,50kW 60Hz 6-poles 440V-460V D P2=16,40kW/22hp	1	1	1	1
79	755 91 02		Stator 25-32-6i 50Hz 6-poles 230V D 400V Y P2=15,50kW	1	1	1	1
79	755 91 05		Stator 25-32-6i 50Hz 6-poles 415V D P2=15,50kW	1	1	1	1
79	755 91 07		Stator 25-32-6i 60Hz 6-poles 230V Y// 460V YSER P2=16,40kW/22hp	1	1	1	1
79	755 91 08		Stator 25-32-6i 60Hz 6-poles 380V D P2=16,40kW/ 22hp	1	1	1	1
79	755 91 06		Stator 25-32-6i 50Hz 6-poles 500V D P2=15,50kW 60Hz 6-poles 575V-600V D 230V Y// P2=16,40kW/22hp	1	1	1	1
79	769 23 05		Stator 25-27-4i 50Hz 4-poles 415V-440V D P2=15kW Termistor	1		1	
79	769 24 05		Stator 25-32-4k 50Hz 4-poles 415V-440V D P2=18,50kW Termistor	1		1	
79	769 22 05		Stator 25-32-4i 50Hz 4-poles 415V-440V D P2=22kW Termistor	1		1	
79	769 25 05		Stator 25-32-6i 50Hz 6-poles 415V D P2=15,50kW Termistor	1		1	
79	769 19 01		Stator 25-31-2i 50Hz 2-poles 415V-440V D P2=22kW Termistor	1		1	
79	786 45 05		Stator 25-32-6k 50Hz 6-poles 415V-440V D P2=10kW Termistor	1		1	
82	608 03 00		Cooling jacket	1	1	1	1
83	82 74 99		O-ring 259.3X5.7 NBR	1	1	1	1
83	82 81 06		O-ring 259.3X5.7 FPM	1	1	1	1
84	82 75 05		O-ring 339.3X5.7 NBR	1	1	1	1
84	82 75 23		O-ring 339.3X5.7 FPM	1	1	1	1
101	650 51 00		Cable unit FLS10	1	1	1	1
103	663 04 00	(Ex)	Level sensor FLS10	1	1	1	1
105	650 80 00		Bearing holder	1		1	
105	650 80 01	(Ex)	Bearing holder		1		1
107	82 59 12		Retaining ring SGA 55	1	1	1	1
108	82 44 19		Supporting washer S 55X68X3	2	2	2	2
109	83 30 21		Ball bearing 3311A-2Z/C3VT113	1	1	1	1
110	83 07 63		Retaining ring 120/2,85	1	1	1	1
120	642 13 00		Plug	1	1	1	1

Pos. No	Part. No	Type	Denomination	Qty/Version			
				800	810	820	830
122	82 76 85		O-ring 17X3 NBR	1	1	1	1
122	82 79 15		O-ring 17X3 FPM	1	1	1	1
129	650 78 00		Seal housing cover	1	1	1	1
130	82 78 59		O-ring 290X3 NBR	1	1	1	1
131	82 75 05		O-ring 339.3X5.7 NBR	1	1	1	1
131	82 75 23		O-ring 339.3X5.7 FPM	1	1	1	1
133	83 04 53		Hex.socket hd screw M12X45-A4-80	6	6	6	6
141	619 64 30		Mechanical seal DIAM.45 PLUGIN, WCCR/WCCR	1	1	1	1
141	619 64 31		Mechanical seal DIAM.45 PLUGIN, WCCR/RSIC	1	1	1	1
145	83 04 58		Hex.socket hd screw M16X60-A4-80	4	4	4	4
228	663 85 00		Connection plate				1
229	667 40 01		Sticker	2	2	2	2
231	93 00 77		Shrink hose ID=6.4 MM	*	*	*	*
231	93 00 78		Shrink hose ID=9.5 MM	*	*	*	*
232	83 53 58		Terminal clamp WDU6/10	3	3	3	3
232	83 53 58		Terminal clamp WDU6/10	4		4	
233	83 53 61		Terminal clamp WDU16,1000V	6	6	6	6
233	83 53 17		Terminal clamp WDU35/IK/ZA	6	6	6	6
233	83 53 17		Terminal clamp WDU35/IK/ZA	8	8	8	8
234	83 53 67		Cross connection WQV16/2	3	3	3	3
234	650 20 02		Cross connection	1	1	1	1
234	83 53 49		Cross connection WQW35/2	3	3	3	3
234	650 20 03		Cross connection	1	1	1	1
234	83 53 49		Cross connection WQW35/2	4	4	4	4
235	83 53 54		End support WEW 35/2	2	2	2	2
236	83 53 50		Partition	1	1	1	1
239	650 84 01		El.lead through unit	1	1	1	1
240	607 48 04		Spring	1	1	1	1
241	82 74 95		O-ring 219.3X5.7 NBR	1	1	1	1
241	82 75 21		O-ring 219.3X5.7 FPM	1	1	1	1
242	650 89 00		Adapter	1		1	
242	650 88 10		Adapter	1		1	
242	650 89 01	(Ex)	Adapter		1		1
242	650 88 11	(Ex)	Adapter		1		1
243	83 04 61		Hex.socket hd screw M12X25-A4-80	2	2	2	2
245	82 75 05		O-ring 339.3X5.7 NBR	1	1	1	1
245	82 75 23		O-ring 339.3X5.7 FPM	1	1	1	1
246	82 78 59		O-ring 290X3 NBR	1	1	1	1
247	82 95 70		O-ring 92X4 FPM	1	1	1	1
248	608 27 01		Strip	1	1	1	1
249	82 32 50		Clip	1	1	1	1
251	642 13 00		Plug	2	2	2	2
252	82 76 85		O-ring 17X3 NBR	2	2	2	2

Pos. No	Part. No	Type	Denomination	Qty/Version			
				800	810	820	830
252	82 79 15		O-ring 17X3 FPM	2	2	2	2
253	650 94 00		Cooling jacket "INNER"	1	1	1	1
254	651 06 00		Flow diffusor	1	1	1	1
256	608 42 00		Wire bow	4	4	4	4
264	82 40 81		Plain washer (30)-32 MM	4	4		4
264	82 40 82		Plain washer (32)-34 MM	4	4	4	4
264	82 40 69		Plain washer (33)-35 MM	4	4	4	4
265	84 18 00		Seal sleeve (14)-17 MM	2	2		
265	84 18 02		Seal sleeve (20)-23 MM	2	2	2	2
265	84 18 03		Seal sleeve (23)-26 MM	2	2	2	2
265	84 18 04		Seal sleeve (26)-29 MM	2	2	2	2
265	84 18 06		Seal sleeve (32)-35 MM	2	2	2	2
265	84 18 01		Seal sleeve (17)-20 MM	2	2		2
265	84 18 05		Seal sleeve (29)-32 MM	2	2	2	2
265	94 19 83		Motor cable subcab		*		
266	597 98 02		Ring	1	1	1	1
270	608 31 00		Lock washer		1		1
313	82 71 72		O-ring 71.2X3 FPM	1	1	1	1
335	83 53 77		Terminal clamp	1	1	1	1
336	83 42 36		End sleeve 0.75 MM2; L=6 MM	2	2	2	2
338	82 40 61		Plain washer (10)-22 MM	1	1	1	1
339	84 17 90		Seal sleeve (10)-12 MM	1	1	1	1
339	84 17 92		Seal sleeve (14)-16 MM	1	1	1	1
340	678 58 12		Cable clip (10)-12 MM	1	1	1	1
340	678 58 16		Cable clip (14)-16 MM	1	1	1	1
341	633 11 01		Gland screw 1 1/4" ISO.FOR METAL HOSE	1	1	1	1
341	633 11 04		Gland screw 1 1/2" NPT.FOR METAL HOSE	1	1	1	1
912	82 76 85		O-ring 17X3 NBR	3	3	3	3
912	82 79 15		O-ring 17X3 FPM	3	3	3	3

## 3171.660/670/860/870

Pos. No	Part. No	Type	Denomination	Qty/Version			
				660	670	860	870
1	651 05 00		Lifting handle	1	1	1	1
2	83 04 53		Hex.socket hd screw M12X45-A4-80	2	2	2	2
7	83 45 52		Cable tie 292X3.5 MM	1	1	1	1
7	83 45 59		Cable tie 200X2.4 PA 6/6 -55+105	1	1	1	1
8	630 68 00		Data plate USE 6306801 AS SPARE PART	2	2	2	2
8	630 76 00		Plate HOT WATER PRODUCT	1			
8	630 69 00		Certificate plate EN		2		2
8	630 70 00		Certificate plate FM		2		2
8	630 69 01	(Ex)	Certificate plate IECEX		2		2

Pos. No	Part. No	Type	Denomination	Qty/Version			
				660	670	860	870
9	773 29 00		Connection plate	1	1	1	1
9	83 93 50		Marking strip 5-GW(T1;T2;T15;T16)	1	1	1	1
9	81 65 46		Marking plate	1	1	1	1
9	83 93 51		Marking strip W5;V5;U5;V2;W1;U2;V1;W2;U	1	1	1	1
10	82 20 88		Drive screw 4X5-A2/A4	4	4	4	4
10	82 20 88		Drive screw 4X5-A2/A4		2		2
11	82 00 11		Hex.socket hd screw M6X12-A2-70		2		2
13	642 16 00		Earthing plate		1		1
14	94 19 22		Control cable subcab 7X1,5 OD=15-17 MM	*	*	*	*
14	94 19 30		Control cable s-flex 25X1.5 OD=19.4-21.4 MM	Optional	1	1	1
15	397 81 00	(Ex)	Gland screw FOR CABLE ENTRY		1	1	1
23	94 20 59		Motor cable subcab	SUBCAB 4G2,5+2x1,5	*	*	*
23	94 20 60		Motor cable subcab	SUBCAB 4G4+2x1,5	*	*	*
23	94 20 56		Motor cable subcab	SUBCAB 4G6+2x1,5	*	*	*
23	94 19 81		Motor cable subcab	SUBCAB 4G10+S(2x0,5)	*	*	*
23	94 19 82		Motor cable subcab	SUBCAB 4G16+S(2x0,5)	*	*	*
23	94 20 82		Motor cable subcab	SUBCAB 7G2,5+2x1,5	*	*	*
23	94 20 80		Motor cable subcab	SUBCAB 7G4+2x1,5	*	*	*
23	94 19 80		Motor cable subcab	SUBCAB 7G6+S(2x0,5)	*	*	*
23	94 19 83		Motor cable subcab	SUBCAB 4G25+S(2x0,5)	*	*	*
23	94 19 90		Motor cable subcab	SUBCAB S3x2,5+3x2,5/3+S(4x0,5)	*	*	*
23	94 19 91		Motor cable subcab	SUBCAB S3x6+3x6/3+S(4x0,5)	*	*	*
23	94 19 93		Motor cable subcab	SUBCAB S3x16+3x16/3+S(4x0,5)	*	*	*
24	642 17 01	(Ex)	Entrance flange		1	1	1
24	597 87 01	(Ex)	Entrance flange SS		1	1	1
24	597 87 04	(Ex)	Entrance flange ISO 228/1-G2		1	1	1
24	597 87 11	(Ex)	Entrance flange 1 1/2-11.5 NPT		1	1	1
24	597 87 08	(Ex)	Entrance flange 2-11.5 NPT		1	1	1
25	84 41 09		Plate 35 MM			1	1
26	83 04 53		Hex.socket hd screw M12X45-A4-80		2	2	2
30	517 38 00		Metal hose ISO 7/1 RP 2"		1	1	1
31	82 74 63		O-ring 49.5X3 NBR		1	1	1
31	82 81 03		O-ring 49.5X3 FPM		1	1	1
32	650 87 00		Entrance cover		1	1	
32	650 87 02		Entrance cover	Cable entry auxiliary cable	1	1	
32	650 87 01	(Ex)	Entrance cover		1		1
32	650 87 03	(Ex)	Entrance cover	Cable entry auxiliary cable	1		1
33	82 74 92		O-ring 194.3X5.7 NBR		1	1	1
33	82 75 24		O-ring 194.3X5.7 FPM		1	1	1
35	83 04 53		Hex.socket hd screw M12X45-A4-80		4	4	4
45	82 00 11		Hex.socket hd screw M6X12-A2-70		2	2	2
49	83 42 48		End sleeve H16/24		3	3	3

Pos. No	Part. No	Type	Denomination	Qty/Version			
				660	670	860	870
49	83 42 49		End sleeve H25/30	3	3	3	3
51	83 42 62		Closed end splice 0.33-0.82(AWG 22-18) L=18	2	2	2	2
53	82 00 11		Hex.socket hd screw M6X12-A2-70	2	2	2	2
54	651 04 00		Rail	1	1	1	1
56	642 16 00		Earthing plate	1	1	1	1
60	82 56 25		Spring washer 71.5X59X0.55 MM	1	1	1	1
61	83 30 16		Ball bearing 30X72X30.2 MM	1	1	1	1
69	650 90 04		Stator housing	1			
69	650 90 05	(Ex)	Stator housing		1		
69	755 95 00		Stator housing			1	
69	755 95 01	(Ex)	Stator housing				1
72	82 74 97		O-ring 239.5X5.7 NBR	1	1	1	1
72	82 80 86		O-ring 239.3X5.7 FPM	1	1	1	1
73	652 46 04	(Ex)	Shaft unit 25-17-4	1	1		
73	652 46 05	(Ex)	Shaft unit 25-19-4	1	1		
73	754 67 01	(Ex)	Shaft unit 25-32-4			1	1
79	647 62 01		Stator 25-17-4a 50Hz 4-poles 380V-400V D 660V-690V Y P2=18,50kW 60Hz 4-poles 440V-460V D Max P1=20,20KW 50Hz 4-poles 380V-400V D 660V-690V Y P1=17KW 60Hz 4-poles 440V-460V D P2=22kW/30hp	1	1		
79	647 62 02		Stator 25-17-4a 50Hz 4-poles 230V D 400V Y P2=18,50kW 50Hz 4-poles 230V D 400V Y P1=17KW	1	1		
79	647 62 05		Stator 25-17-4a 50Hz 4-poles 415V-440V D P2=18,50kW 50Hz 4-poles 415V-440V D Max P1=17KW	1	1		
79	647 62 07		Stator 25-17-4a 60Hz 4-poles 230V Y// 460V YSER P1=20KW 60Hz 4-poles 230V Y// 460V YSER P2=22kW/30hp	1	1		
79	647 62 13		Stator 25-17-4a 60Hz 4-poles 380V D P1=20KW 60Hz 4-poles 380V D P2=22kW/ 30hp	1	1		
79	647 62 06		Stator 25-17-4a 50Hz 4-poles 500V D P2=18,50kW 60Hz 4-poles 575V-600V D P1=20KW 50Hz 4-poles 500V D P1=17KW 60Hz 4-poles 575V-600V D P2=22kW/30hp	1	1		

Pos. No	Part. No	Type	Denomination	Qty/Version			
				660	670	860	870
79	692 99 01		Stator 25-19-4a 50Hz 4-poles 380V-400V D 660V-690V Y P2=22kW 60Hz 4-poles 440V-460V D Max P1=26KW 50Hz 4-poles 380V-400V D 660V-690V Y Max P1=23KW 60Hz 4-poles 440V-460V D P2=25kW/34hp	1	1		
79	692 99 02		Stator 25-19-4a 50Hz 4-poles 230V D 400V Y P2=22kW 50Hz 4-poles 230V D 400V Y P1=22KW	1	1		
79	692 99 05		Stator 25-19-4a 50Hz 4-poles 415V-440V D P2=22kW 50Hz 4-poles 415V-440V D P1=22KW	1	1		
79	692 99 07		Stator 25-19-4a 60Hz 4-poles 230V Y// 460V YSER P1=25KW 60Hz 4-poles 230V Y// 460V YSER P2=25kW/34hp	1	1		
79	692 99 06		Stator 25-19-4a 50Hz 4-poles 500V D P2=22kW 60Hz 4-poles 575V-600V D P1=25KW 50Hz 4-poles 500V D P1=22KW 60Hz 4-poles 575V-600V D P2=25kW/34hp	1	1		
79	692 99 08		Stator 25-19-4a 60Hz 4-poles 380V D P1=26KW 60Hz 4-poles 380V D P2=25kW/ 34hp	1	1		
79	657 95 05		Stator 25-17-4a 50Hz 4-poles 415V-440V D P2=18,50kW Thermistor 50Hz 4-poles 415V-440V D Max P1=17KW Thermistor	1			
79	696 41 05		Stator 25-19-4a 50Hz 4-poles 415V-440V D P2=22kW Thermistor 50Hz 4-poles 415V-440V D P1=22KW Thermistor	1			
79	769 21 01		Stator 25-32-4k 50Hz 4-poles 380V-400V D 660V-690V Y P2=18,50kW 60Hz 4-poles 440V-460V D P2=22kW/30hp			1	1
79	769 21 02		Stator 25-32-4k 50Hz 4-poles 230V D 400V Y P2=18,50kW			1	1
79	769 21 05		Stator 25-32-4k 50Hz 4-poles 415V-440V D P2=18,50kW			1	1
79	769 21 07		Stator 25-32-4k 60Hz 4-poles 230V Y// 460V YSER P2=22kW/30hp			1	1
79	769 21 13		Stator 25-32-4k 60Hz 4-poles 380V D P2=22kW/ 30hp			1	1



Pos. No	Part. No	Type	Denomination	Qty/Version			
				660	670	860	870
79	769 21 06		Stator 25-32-4k 50Hz 4-poles 500V D P2=18,50kW 60Hz 4-poles 575V-600V D P2=22kW/30hp			1	1
79	761 73 01		Stator 25-32-4i 50Hz 4-poles 380V-400V D 660V-690V Y P2=22kW 60Hz 4-poles 440V-460V D P2=25kW/34hp			1	1
79	761 73 02		Stator 25-32-4i 50Hz 4-poles 230V D 400V Y P2=22kW			1	1
79	761 73 05		Stator 25-32-4i 50Hz 4-poles 415V-440V D P2=22kW			1	1
79	761 73 07		Stator 25-32-4i 60Hz 4-poles 230V Y// 460V YSER P2=25kW/34hp			1	1
79	761 73 06		Stator 25-32-4i 50Hz 4-poles 500V D P2=22kW 60Hz 4-poles 575V-600V D P2=25kW/34hp			1	1
79	761 73 08		Stator 25-32-4i 60Hz 4-poles 380V D P2=25kW/ 34hp			1	1
79	769 24 05		Stator 25-32-4k 50Hz 4-poles 415V-440V D P2=18,50kW			1	
79	769 22 05		Stator 25-32-4i 50Hz 4-poles 415V-440V D P2=22kW			1	
82	650 93 00		Cooling jacket Material: Steel	1	1		
82	650 93 01		Cooling jacket Material: stainless steel (ASTM 316L)	1	1		
82	608 03 00		Cooling jacket Material: stainless steel (ASTM 316L)			1	1
83	82 74 99		O-ring 259.3X5.7 NBR	1	1	1	1
83	82 81 06		O-ring 259.3X5.7 FPM	1	1	1	1
84	82 75 05		O-ring 339.3X5.7 NBR	1	1	1	1
84	82 75 23		O-ring 339.3X5.7 FPM	1	1	1	1
101	650 51 00		Cable unit FLS10	1	1	1	1
103	663 04 00	(Ex)	Level sensor FLS10	1	1	1	1
105	650 80 00		Bearing holder	1		1	
105	650 80 01	(Ex)	Bearing holder		1		1
107	82 59 12		Retaining ring SGA 55	1	1	1	1
108	82 44 19		Supporting washer S 55X68X3	2	2	2	2
109	83 30 21		Ball bearing 3311A-2Z/C3VT113	1	1	1	1
110	83 07 63		Retaining ring 120/2,85	1	1	1	1
120	642 13 00		Plug	1	1	1	1
122	82 76 85		O-ring 17X3 NBR	1	1	1	1
122	82 79 15		O-ring 17X3 FPM	1	1	1	1
129	650 78 00		Seal housing cover	1	1	1	1
130	82 78 59		O-ring 290X3 NBR	1	1	1	1
133	83 04 53		Hex.socket hd screw M12X45-A4-80	6	6	6	6
141	619 64 30		Mechanical seal DIAM.45 PLUGIN, WCCR/WCCR	1	1	1	1
141	619 64 31		Mechanical seal DIAM.45 PLUGIN, WCCR/RSIC	1	1	1	1

Pos. No	Part. No	Type	Denomination	Qty/Version			
				660	670	860	870
145	83 04 58		Hex.socket hd screw M16X60-A4-80	4	4	4	4
228	663 85 00		Connection plate	1			
229	667 40 01		Sticker	2	2	2	2
231	93 00 77		Shrink hose ID=6.4 MM	*	*	*	*
231	93 00 78		Shrink hose ID=9.5 MM	*	*	*	*
232	83 53 58		Terminal clamp WDU6/10	3	3	3	3
232	83 53 58		Terminal clamp WDU6/10	4		4	
233	83 53 61		Terminal clamp WDU16,1000V	6	6	6	6
233	83 53 17		Terminal clamp WDU35/IK/ZA	6	6	6	6
233	83 53 17		Terminal clamp WDU35/IK/ZA	8	8	8	8
234	83 53 67		Cross connection WQV16/2	3	3	3	3
234	650 20 02		Cross connection	1	1	1	1
234	83 53 49		Cross connection WQW35/2	3	3	3	3
234	650 20 03		Cross connection	1	1	1	1
234	83 53 49		Cross connection WQW35/2	4	4	4	4
235	83 53 54		End support WEW 35/2	2	2	2	2
236	83 53 50		Partition	1	1	1	1
239	650 84 01		El.lead through unit	1	1	1	1
240	607 48 04		Spring	1	1	1	1
241	82 74 95		O-ring 219.3X5.7 NBR	1	1	1	1
241	82 75 21		O-ring 219.3X5.7 FPM	1	1	1	1
242	650 89 00		Adapter	1		1	
242	650 88 10		Adapter Cooling jacket	1		1	
242	650 89 01	(Ex)	Adapter		1		1
242	650 88 11	(Ex)	Adapter Cooling jacket		1		1
243	83 04 61		Hex.socket hd screw M12X25-A4-80	2	2	2	2
245	82 75 05		O-ring 339.3X5.7 NBR	1	1	1	1
245	82 75 23		O-ring 339.3X5.7 FPM	1	1	1	1
246	82 78 59		O-ring 290X3 NBR	1	1	1	1
247	82 95 70		O-ring 92X4 FPM	1	1	1	1
248	608 27 01		Strip	1	1	1	1
249	82 32 50		Clip	1	1	1	1
251	642 13 00		Plug	2	2	2	2
252	82 76 85		O-ring 17X3 NBR	2	2	2	2
252	82 79 15		O-ring 17X3 FPM	2	2	2	2
253	650 94 00		Cooling jacket "INNER"	1	1	1	1
254	651 06 00		Flow diffusor	1	1	1	1
256	608 42 00		Wire bow	4	4	4	4
264	82 40 81		Plain washer (30)-32 MM	4	4	4	4
264	82 40 82		Plain washer (32)-34 MM	4	4	4	4
264	82 40 69		Plain washer (33)-35 MM	4	4	4	4
265	84 18 00		Seal sleeve (14)-17 MM	2	2	2	2
265	84 18 02		Seal sleeve (20)-23 MM	2	2	2	2
265	84 18 03		Seal sleeve (23)-26 MM	2	2	2	2

Pos. No	Part. No	Type	Denomination	Qty/Version			
				660	670	860	870
265	84 18 04		Seal sleeve (26)-29 MM	2	2	2	2
265	84 18 06		Seal sleeve (32)-35 MM	2	2	2	2
265	84 18 01		Seal sleeve (17)-20 MM	2	2	2	2
265	84 18 05		Seal sleeve (29)-32 MM	2	2	2	2
265	94 19 83		Motor cable subcab				*
266	597 98 02		Ring	1	1	1	1
270	608 31 00		Lock washer		1		1
313	82 71 72		O-ring 71.2X3 FPM	1	1	1	1
335	83 53 77		Terminal clamp	1	1	1	1
336	83 42 36		End sleeve 0.75 MM2; L=6 MM	2	2	2	2
337	94 10 83		Insulating hose pvc D=8 MM	*	*		
338	82 40 61		Plain washer (10)-22 MM	1	1	1	1
339	84 17 90		Seal sleeve (10)-12 MM	1	1	1	1
339	84 17 92		Seal sleeve (14)-16 MM	1	1	1	1
340	678 58 12		Cable clip (10)-12 MM	1	1	1	1
340	678 58 16		Cable clip (14)-16 MM	1	1	1	1
341	633 11 01		Gland screw 1 1/4" ISO.FOR METAL HOSE	1	1	1	1
341	633 11 04		Gland screw 1 1/2" NPT.FOR METAL HOSE	1	1	1	1
912	82 76 85		O-ring 17X3 NBR	3	3	3	3
912	82 79 15		O-ring 17X3 FPM	3	3	3	3

### 3171.350/390/840/850

Pos. No	Part. No	Type	Denomination	Qty/Version			
				350	390	840	850
1	651 05 00		Lifting handle	1	1	1	1
2	83 04 53		Hex.socket hd screw M12X45-A4-80	2	2	2	2
7	83 45 52		Cable tie 292X3.5 MM	1	1	1	1
7	83 45 59		Cable tie 200X2.4 PA 6/6 -55+105	1	1	1	1
8	630 68 00		Data plate USE 6306801 AS SPARE PART	2	2	2	2
8	630 76 00		Plate HOT WATER PRODUCT	1			
8	630 69 00		Certificate plate EN		2		2
8	630 70 00		Certificate plate FM		2		2
8	630 69 01	(Ex)	Certificate plate IECEX		2		2
9	773 29 00		Connection plate	1	1	1	1
9	83 93 50		Marking strip 5-GW(T1;T2;T15;T16)	1	1	1	1
9	81 65 46		Marking plate	1	1	1	1
9	83 93 51		Marking strip W5;V5;U5;V2;W1;U2;V1;W2;U	1	1	1	1
10	82 20 88		Drive screw 4X5-A2/A4	4	4	4	4
10	82 20 88		Drive screw 4X5-A2/A4		2		2
11	82 00 11		Hex.socket hd screw M6X12-A2-70		2		2
13	642 16 00		Earthing plate		1		1

Pos. No	Part. No	Type	Denomination	Qty/Version			
				350	390	840	850
14	94 19 22		Control cable subcab 7X1,5 OD=15-17 MM	*	*	*	*
14	94 19 30		Control cable s-flex 25X1.5 OD=19.4-21.4 MM	Optional	1	1	1
15	397 81 00	(Ex)	Gland screw FOR CABLE ENTRY	1	1	1	1
23	94 20 60		Motor cable subcab	SUBCAB 4G4+2x1,5	*	*	*
23	94 20 56		Motor cable subcab	SUBCAB 4G6+2x1,5	*	*	*
23	94 19 81		Motor cable subcab	SUBCAB 4G10+S(2x0,5)	*	*	*
23	94 19 82		Motor cable subcab	SUBCAB 4G16+S(2x0,5)	*	*	*
23	94 20 82		Motor cable subcab	SUBCAB 7G2,5+2x1,5	*	*	*
23	94 20 80		Motor cable subcab	SUBCAB 7G4+2x1,5	*	*	*
23	94 19 80		Motor cable subcab	SUBCAB 7G6+S(2x0,5)	*	*	*
23	94 21 04		Motor cable subcab		*		
23	94 19 83		Motor cable subcab	SUBCAB 4G25+S(2x0,5)	*	*	*
23	94 19 91		Motor cable subcab	SUBCAB S3x6+3x6/3+S(4x0,5)	*	*	*
23	94 19 93		Motor cable subcab	SUBCAB S3x16+3x16/3+S(4x0,5)	*	*	*
24	642 17 01	(Ex)	Entrance flange	1	1	1	1
24	597 87 01	(Ex)	Entrance flange SS	1	1	1	1
24	597 87 11	(Ex)	Entrance flange 1 1/2-11.5 NPT	1	1	1	1
25	84 41 09		Plate 35 MM			1	1
26	83 04 53		Hex.socket hd screw M12X45-A4-80	2	2	2	2
31	82 74 63		O-ring 49.5X3 NBR	1	1	1	1
31	82 81 03		O-ring 49.5X3 FPM	1	1	1	1
32	650 87 00		Entrance cover	1		1	
32	650 87 02		Entrance cover	Cable entry auxiliary cable	1	1	
32	650 87 01	(Ex)	Entrance cover		1		1
32	650 87 03	(Ex)	Entrance cover	Cable entry auxiliary cable		1	1
33	82 74 92		O-ring 194.3X5.7 NBR	1	1	1	1
33	82 75 24		O-ring 194.3X5.7 FPM	1	1	1	1
35	83 04 53		Hex.socket hd screw M12X45-A4-80	4	4	4	4
45	82 00 11		Hex.socket hd screw M6X12-A2-70	2	2	2	2
49	83 42 48		End sleeve H16/24	3	3	3	3
49	83 42 49		End sleeve H25/30	3	3	3	3
51	83 42 62		Closed end splice 0.33-0.82(AWG 22-18) L=18	2	2	2	2
53	82 00 11		Hex.socket hd screw M6X12-A2-70	2	2	2	2
54	651 04 00		Rail	1	1	1	1
56	642 16 00		Earthing plate	1	1	1	1
60	82 56 25		Spring washer 71.5X59X0.55 MM	1	1	1	1
61	83 30 16		Ball bearing 30X72X30.2 MM	1	1	1	1
69	650 90 04		Stator housing	1			
69	650 90 05	(Ex)	Stator housing		1		
69	755 95 00		Stator housing			1	
69	755 95 01	(Ex)	Stator housing				1
72	82 74 97		O-ring 239.5X5.7 NBR	1	1	1	1

Pos. No	Part. No	Type	Denomination	Qty/Version			
				350	390	840	850
72	82 80 86		O-ring 239.3X5.7 FPM	1	1	1	1
73	647 45 00	(Ex)	Shaft unit 25-18-2	1	1		
73	652 46 03	(Ex)	Shaft unit 25-14-4	1	1		
73	652 46 04	(Ex)	Shaft unit 25-17-4	1	1		
73	652 46 05	(Ex)	Shaft unit 25-19-4	1	1		
73	647 45 02	(Ex)	Shaft unit 25-31-2			1	1
73	754 67 02	(Ex)	Shaft unit 25-27-4			1	1
73	754 67 01	(Ex)	Shaft unit 25-32-4			1	1
79	647 43 01		Stator 25-18-2a 50Hz 2-poles 690V Y 400V-440V D P2=22kW 60Hz 2-poles 460V D P1=23KW 50Hz 2-poles 690V Y 400V-440V D P1=19,7KW 60Hz 2-poles 460V D P2=26kW/35hp	1	1		
79	647 43 02		Stator 25-18-2a 50Hz 2-poles 400V Y 230V D P2=22kW 50Hz 2-poles 400V Y 230V D P1=19,7KW	1	1		
79	647 43 03		Stator 25-18-2a 50Hz 2-poles 660V Y 380V D P2=22kW 60Hz 2-poles 440V D P1=23KW 50Hz 2-poles 660V Y 380V D P1=19,7KW 60Hz 2-poles 440V D P2=26kW/35hp	1	1		
79	647 43 07		Stator 25-18-2a 50Hz 2-poles 500V D P2=22kW 60Hz 2-poles 575V-600V D P1=23KW 50Hz 2-poles 500V D P1=19,7KW 60Hz 2-poles 575V-600V D P2=26kW/35hp	1	1		
79	647 43 09		Stator 25-18-2a 60Hz 2-poles 460V YSER 230V Y// P1=23KW 60Hz 2-poles 460V YSER 230V Y// P2=26kW/35hp	1	1		
79	647 25 01		Stator 25-14-4a 50Hz 4-poles 660V-690V Y 380V-400V D P2=15kW 60Hz 4-poles 460V D P1=18,6KW 50Hz 4-poles 660V-690V Y 380V-400V D P1=13,5KW 60Hz 4-poles 460V D P2=18,6kW/25hp	1	1		
79	647 25 02		Stator 25-14-4a 50Hz 4-poles 400V Y 230V D P2=15kW 50Hz 4-poles 400V Y 230V D P1=13,5KW	1	1		

Pos. No	Part. No	Type	Denomination	Qty/Version			
				350	390	840	850
79	647 25 05		Stator 25-14-4a 50Hz 4-poles 415V-440V D P2=15kW 50Hz 4-poles 415V-440V D Max P1=13,6KW	1	1		
79	647 25 07		Stator 25-14-4a 60Hz 4-poles 460V YSER 230V Y// P1=18,5KW 60Hz 4-poles 460V YSER 230V Y// P2=18,6kW/25hp	1	1		
79	647 25 08		Stator 25-14-4a 60Hz 4-poles 380V D P1=18,6KW 60Hz 4-poles 380V D P2=18,6kW/ 25hp	1	1		
79	647 25 06		Stator 25-14-4a 50Hz 4-poles 500V D P2=15kW 60Hz 4-poles 575V-600V D P1=18,6KW 50Hz 4-poles 500V D P1=13,5KW 60Hz 4-poles 575V-600V D P2=18,6kW/25hp	1	1		
79	647 62 01		Stator 25-17-4a 50Hz 4-poles 660V-690V Y 380V-400V D P2=18,5kW 60Hz 4-poles 460V D P1=20KW 50Hz 4-poles 660V-690V Y 380V-400V D P1=17KW 60Hz 4-poles 460V D P2=22kW/ 30hp	1	1		
79	647 62 02		Stator 25-17-4a 50Hz 4-poles 400V Y 230V D P2=18,5kW 50Hz 4-poles 400V Y 230V D P1=17KW	1	1		
79	647 62 05		Stator 25-17-4a 50Hz 4-poles 415V-440V D P2=18,5kW 50Hz 4-poles 415V-440V D Max P1=17,1KW	1	1		
79	647 62 07		Stator 25-17-4a 60Hz 4-poles 460V YSER 230V Y// P1=20KW 60Hz 4-poles 460V YSER 230V Y// P2=22kW/30hp	1	1		
79	647 62 13		Stator 25-17-4a 60Hz 4-poles 380V D P1=20KW 60Hz 4-poles 380V D P2=22kW/ 30hp	1	1		
79	647 62 06		Stator 25-17-4a 50Hz 4-poles 500V D P2=18,5kW 60Hz 4-poles 575V-600V D P1=20KW 50Hz 4-poles 500V D P1=17KW 60Hz 4-poles 575V-600V D P2=22kW/30hp	1	1		

Pos. No	Part. No	Type	Denomination	Qty/Version			
				350	390	840	850
79	692 99 01		Stator 25-19-4a 50Hz 4-poles 660V-690V Y 380V-400V D P2=22kW 60Hz 4-poles 440V-460V D Max P1=26KW 50Hz 4-poles 660V-690V Y 380V-400V D P1=23KW 60Hz 4-poles 440V-460V D P2=25kW/34hp	1	1		
79	692 99 02		Stator 25-19-4a 50Hz 4-poles 400V Y 230V D P2=22kW 50Hz 4-poles 400V Y 230V D P1=22KW	1	1		
79	692 99 05		Stator 25-19-4a 50Hz 4-poles 415V-440V D P2=22kW 50Hz 4-poles 415V-440V D P1=22KW	1	1		
79	692 99 07		Stator 25-19-4a 60Hz 4-poles 460V YSER 230V Y// P1=25KW 60Hz 4-poles 460V YSER 230V Y// P2=25kW/34hp	1	1		
79	692 99 06		Stator 25-19-4a 50Hz 4-poles 500V D P2=22kW 60Hz 4-poles 575V-600V D Max P1=26KW 50Hz 4-poles 500V D P1=22KW 60Hz 4-poles 575V-600V D P2=25kW/34hp	1	1		
79	692 99 08		Stator 25-19-4a 60Hz 4-poles 380V D P1=26KW 60Hz 4-poles 380V D P2=25kW/ 34hp	1	1		
79	657 94 05		Stator 25-14-4a 50Hz 4-poles 415V-440V D P2=15kW Termistor 50Hz 4-poles 415V-440V D Max P1=13,6KW Termistor	1			
79	657 95 05		Stator 25-17-4a 50Hz 4-poles 415V-440V D P2=18,5kW Termistor 50Hz 4-poles 415V-440V D Max P1=17,1KW Termistor	1			
79	696 41 05		Stator 25-19-4a 50Hz 4-poles 415V-440V D P2=22kW Termistor 50Hz 4-poles 415V-440V D P1=22KW Termistor	1			
79	760 24 01		Stator 25-31-2i 50Hz 2-poles 380V-400V D 660V-690V Y P2=22kW 60Hz 2-poles 460V D P2=26kW/ 35hp			1	1
79	760 24 02		Stator 25-31-2i 50Hz 2-poles 230V D 400V Y P2=22kW			1	1
79	760 24 03		Stator 25-31-2i 50Hz 2-poles 415V-440V D P2=22kW 60Hz 2-poles 440V D P2=26kW/ 35hp			1	1

Pos. No	Part. No	Type	Denomination	Qty/Version			
				350	390	840	850
79	760 24 07		Stator 25-31-2i 50Hz 2-poles 500V D P2=22kW 60Hz 2-poles 575V-600V D P2=26kW/35hp			1	1
79	760 24 09		Stator 25-31-2i 60Hz 2-poles 230V Y// 460V YSER P2=26kW/35hp			1	1
79	760 24 11	(Ex)	Stator 25-31-2i 60Hz 2-poles 380V D P2=26kW/ 35hp			1	1
79	769 20 01		Stator 25-27-4i 50Hz 4-poles 380V-400V D 660V-690V Y P2=15kW 60Hz 4-poles 440V-460V D P2=18,6kW/25hp			1	1
79	769 20 02		Stator 25-27-4i 50Hz 4-poles 230V D 400V Y P2=15kW			1	1
79	769 20 05		Stator 25-27-4i 50Hz 4-poles 415V-440V D P2=15kW			1	1
79	769 20 07		Stator 25-27-4i 60Hz 4-poles 230V Y// 460V YSER P2=18,6kW/25hp			1	1
79	769 20 08		Stator 25-27-4i 60Hz 4-poles 380V D P2=18,6kW/ 25hp			1	1
79	769 20 06		Stator 25-27-4i 50Hz 4-poles 500V D P2=15kW 60Hz 4-poles 575V-600V D P2=18,6kW/25hp			1	1
79	769 21 01		Stator 25-32-4k 50Hz 4-poles 380V-400V D 660V-690V Y P2=18,5kW 60Hz 4-poles 440V-460V D P2=22kW/30hp			1	1
79	769 21 02		Stator 25-32-4k 50Hz 4-poles 230V D 400V Y P2=18,5kW			1	1
79	769 21 05		Stator 25-32-4k 50Hz 4-poles 415V-440V D P2=18,5kW			1	1
79	769 21 07		Stator 25-32-4k 60Hz 4-poles 230V Y// 460V YSER P2=22kW/30hp			1	1
79	769 21 13		Stator 25-32-4k 60Hz 4-poles 380V D P2=22kW/ 30hp			1	1
79	769 21 06		Stator 25-32-4k 50Hz 4-poles 500V D P2=18,5kW 60Hz 4-poles 575V-600V D P2=22kW/30hp			1	1
79	761 73 01		Stator 25-32-4i 50Hz 4-poles 380V-400V D 660V-690V Y P2=22kW 60Hz 4-poles 440V-460V D P2=25kW/34hp			1	1
79	761 73 02		Stator 25-32-4i 50Hz 4-poles 230V D 400V Y P2=22kW			1	1
79	761 73 05		Stator 25-32-4i 50Hz 4-poles 415V D P2=22kW			1	1
79	761 73 07		Stator 25-32-4i 60Hz 4-poles 230V Y// 460V YSER P2=25kW/34hp			1	1
79	761 73 06		Stator 25-32-4i 50Hz 4-poles 500V D P2=22kW 60Hz 4-poles 575V-600V D P2=25kW/34hp			1	1
79	761 73 08		Stator 25-32-4i 60Hz 4-poles 380V D P2=25kW/ 34hp			1	1



Pos. No	Part. No	Type	Denomination	Qty/Version			
				350	390	840	850
79	769 23 05		Stator 25-27-4i 50Hz 4-poles 415V-440V D P2=15kW Termistor			1	
79	769 24 05		Stator 25-32-4k 50Hz 4-poles 415V-440V D P2=18,5kW Termistor			1	
79	769 22 05		Stator 25-32-4i 50Hz 4-poles 415V-440V D P2=22kW Termistor			1	
82	650 93 00		Cooling jacket Material: Steel	1	1		
82	650 93 01		Cooling jacket Material: stainless steel (ASTM 316L)	1	1		
82	608 03 00		Cooling jacket Material: stainless steel (ASTM 316L)			1	1
83	82 74 99		O-ring 259.3X5.7 NBR	1	1	1	1
83	82 81 06		O-ring 259.3X5.7 FPM	1	1	1	1
84	82 75 05		O-ring 339.3X5.7 NBR	1	1	1	1
84	82 75 23		O-ring 339.3X5.7 FPM	1	1	1	1
101	650 51 00		Cable unit FLS10	1	1	1	1
103	663 04 00	(Ex)	Level sensor FLS10	1	1	1	1
105	650 80 00		Bearing holder	1		1	
105	650 80 01	(Ex)	Bearing holder		1		1
107	82 59 12		Retaining ring SGA 55	1	1	1	1
108	82 44 19		Supporting washer S 55X68X3	2	2	2	2
109	83 30 21		Ball bearing 3311A-2Z/C3VT113	1	1	1	1
110	83 07 63		Retaining ring 120/2,85	1	1	1	1
120	642 13 00		Plug	1	1	1	1
122	82 76 85		O-ring 17X3 NBR	1	1	1	1
122	82 79 15		O-ring 17X3 FPM	1	1	1	1
129	650 78 00		Seal housing cover	1	1	1	1
130	82 78 59		O-ring 290X3 NBR	1	1	1	1
133	83 04 53		Hex.socket hd screw M12X45-A4-80	6	6	6	6
141	619 64 30		Mechanical seal DIAM.45 PLUGIN, WCCR/WCCR	1	1	1	1
141	619 64 31		Mechanical seal DIAM.45 PLUGIN, WCCR/RSIC	1	1	1	1
145	83 04 58		Hex.socket hd screw M16X60-A4-80	4	4	4	4
228	663 85 00		Connection plate	1	1	1	1
229	667 40 01		Sticker	2	2	2	2
231	93 00 77		Shrink hose ID=6.4 MM	*	*	*	*
231	93 00 78		Shrink hose ID=9.5 MM	*	*	*	*
232	83 53 58		Terminal clamp WDU6/10	3	3	3	3
232	83 53 58		Terminal clamp WDU6/10	4		4	
233	83 53 61		Terminal clamp WDU16,1000V	6	6	6	6
233	83 53 17		Terminal clamp WDU35/IK/ZA	6	6	6	6
233	83 53 17		Terminal clamp WDU35/IK/ZA	8	8	8	8
234	83 53 67		Cross connection WQV16/2	3	3	3	3
234	650 20 02		Cross connection	1	1	1	1
234	83 53 49		Cross connection WQW35/2	3	3	3	3
234	650 20 03		Cross connection	1	1	1	1

Pos. No	Part. No	Type	Denomination	Qty/Version			
				350	390	840	850
234	83 53 49		Cross connection WQW35/2	4	4	4	4
235	83 53 54		End support WEW 35/2	2	2	2	2
236	83 53 50		Partition	1	1	1	1
239	650 84 01		El.lead through unit	1	1	1	1
240	607 48 04		Spring	1	1	1	1
241	82 74 95		O-ring 219.3X5.7 NBR	1	1	1	1
241	82 75 21		O-ring 219.3X5.7 FPM	1	1	1	1
242	650 88 10		Adapter	1		1	
242	650 88 11	(Ex)	Adapter		1		1
243	83 04 61		Hex.socket hd screw M12X25-A4-80	2	2	2	2
245	82 75 05		O-ring 339.3X5.7 NBR	1	1	1	1
245	82 75 23		O-ring 339.3X5.7 FPM	1	1	1	1
246	82 78 59		O-ring 290X3 NBR	1	1	1	1
247	82 95 70		O-ring 92X4 FPM	1	1	1	1
248	608 27 01		Strip	1	1	1	1
249	82 32 50		Clip	1	1	1	1
251	642 13 00		Plug	2	2	2	2
252	82 76 85		O-ring 17X3 NBR	2	2	2	2
252	82 79 15		O-ring 17X3 FPM	2	2	2	2
253	650 94 00		Cooling jacket "INNER"	1	1	1	1
254	651 06 00		Flow diffusor	1	1	1	1
256	608 42 00		Wire bow	4	4	4	4
264	82 40 82		Plain washer (32)-34 MM	4	4	4	4
264	82 40 69		Plain washer (33)-35 MM	4	4	4	4
264	82 40 81		Plain washer (30)-32 MM		4		4
265	84 18 02		Seal sleeve (20)-23 MM	2	2	2	2
265	84 18 03		Seal sleeve (23)-26 MM	2	2	2	2
265	84 18 04		Seal sleeve (26)-29 MM	2	2	2	2
265	84 18 06		Seal sleeve (32)-35 MM	2	2	2	2
265	84 18 05		Seal sleeve (29)-32 MM	2	2	2	2
265	84 18 01		Seal sleeve (17)-20 MM		2		2
266	597 98 02		Ring	1	1	1	1
270	608 31 00		Lock washer		1		1
313	82 71 72		O-ring 71.2X3 FPM	1	1	1	1
335	83 53 77		Terminal clamp	1	1	1	1
336	83 42 36		End sleeve 0.75 MM2; L=6 MM	2	2	2	2
337	94 10 83		Insulating hose pvc D=8 MM	*	*		
338	82 40 61		Plain washer (10)-22 MM	1	1	1	1
339	84 17 90		Seal sleeve (10)-12 MM	1	1	1	1
339	84 17 92		Seal sleeve (14)-16 MM	1	1	1	1
340	678 58 12		Cable clip (10)-12 MM	1	1	1	1
340	678 58 16		Cable clip (14)-16 MM	1	1	1	1
341	633 11 01		Gland screw 1 1/4" ISO.FOR METAL HOSE	1	1	1	1

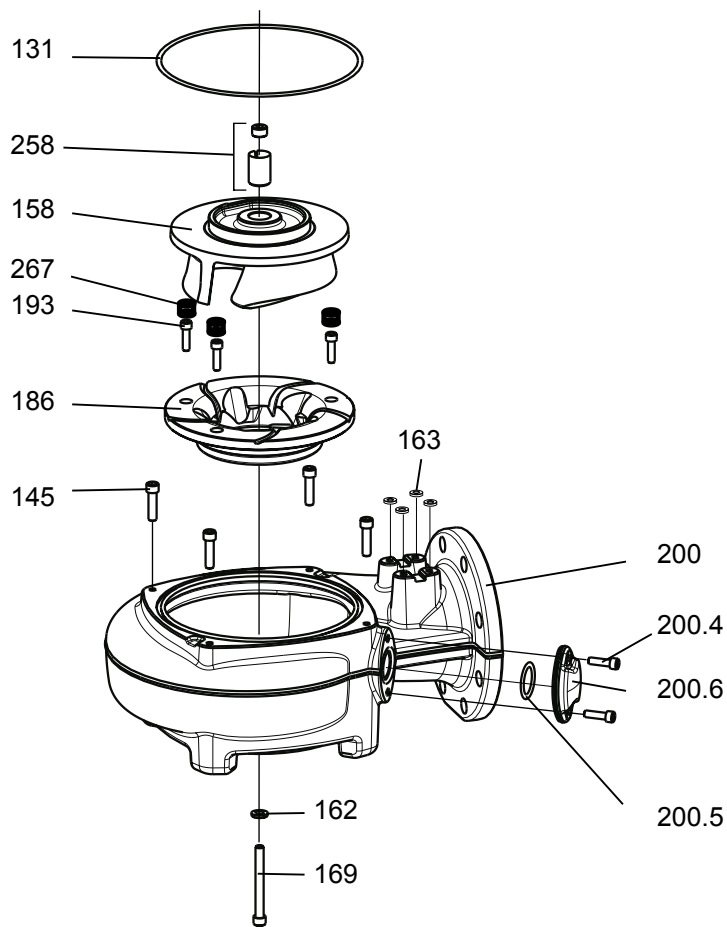
Pos. No	Part. No	Type	Denomination	Qty/Version			
				350	390	840	850
341	633 11 04		Gland screw 1 1/2" NPT.FOR METAL HOSE	1	1	1	1
912	82 76 85		O-ring 17X3 NBR	3	3	3	3
912	82 79 15		O-ring 17X3 FPM	3	3	3	3

# Hydraulic Unit

F\_MT

Curve: 431 – 437

F\_3171 MT

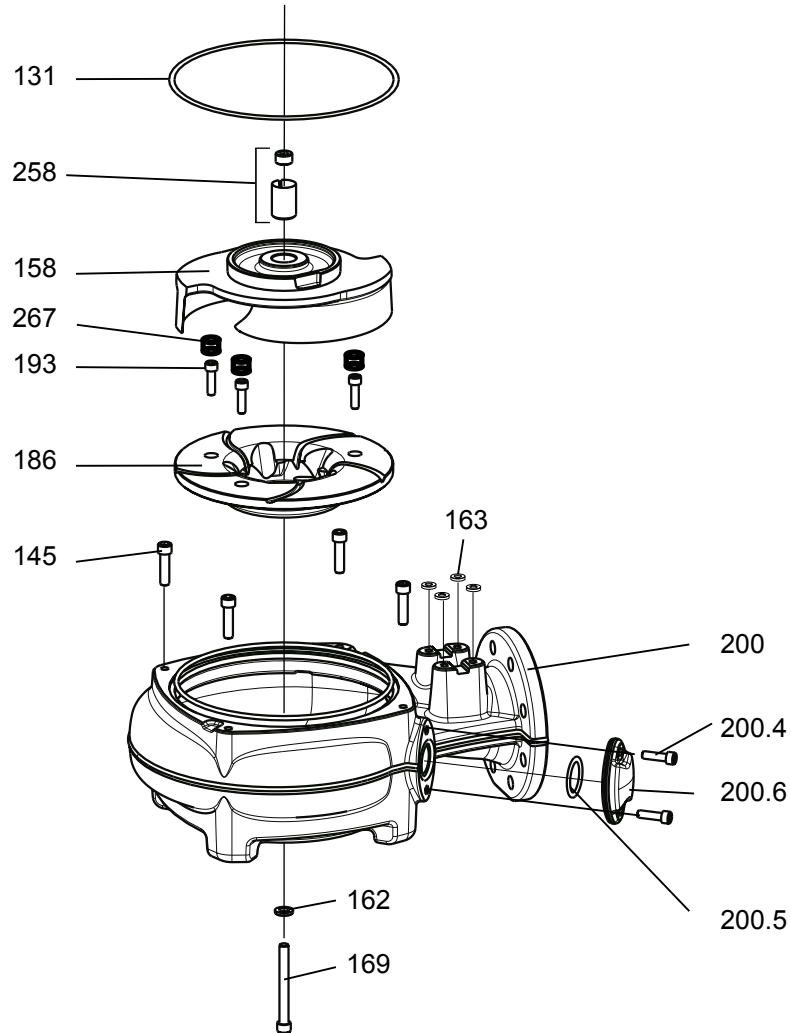


31279

# F\_HT

Curve: 451, 453, 455

## F\_3171 HT

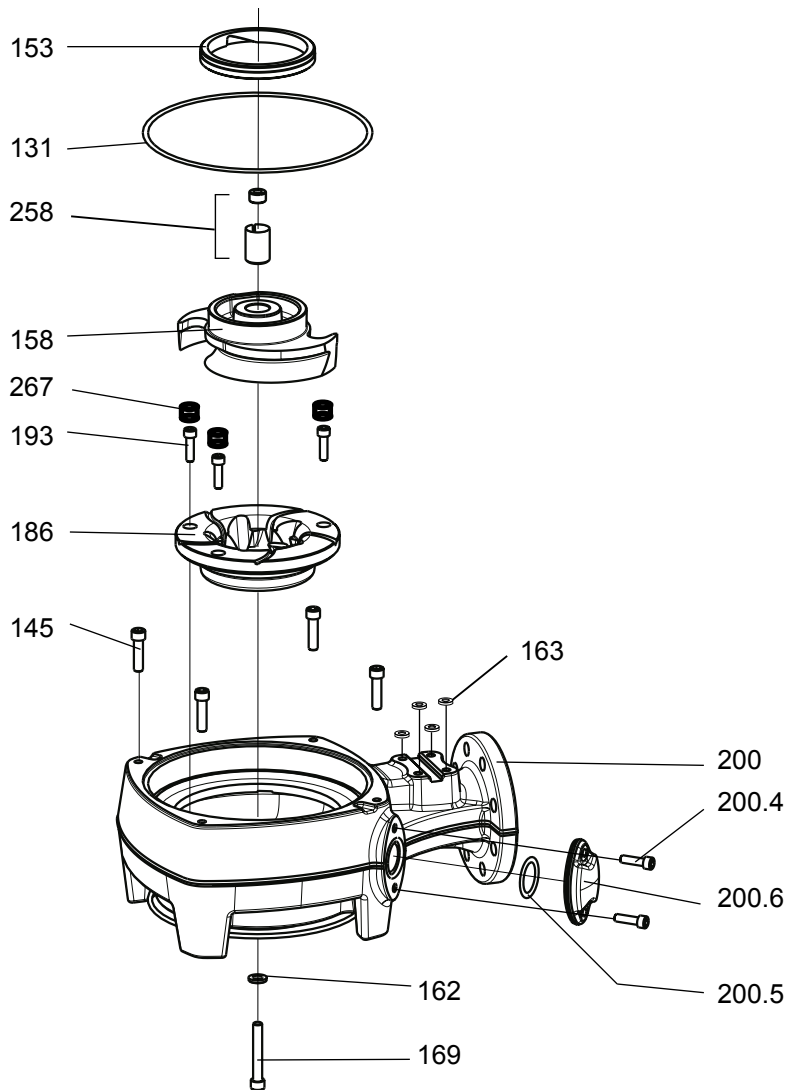


31281

F\_SH

Curve: 270, 272, 274, 275, 277, 278

F\_3171 SH

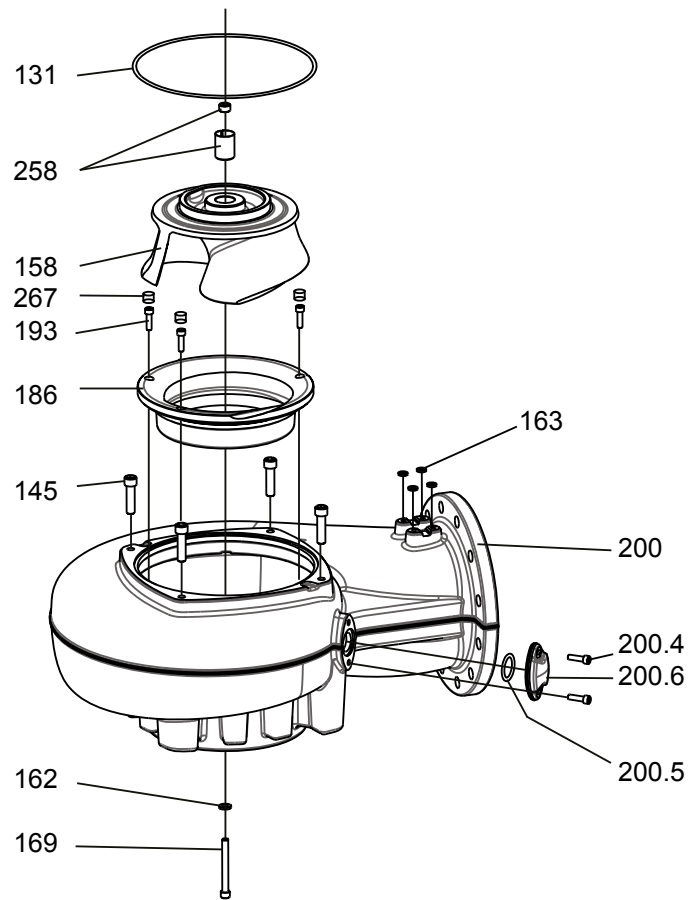


31324

# N\_LT

Curve: 611 – 617

## N\_3171 LT

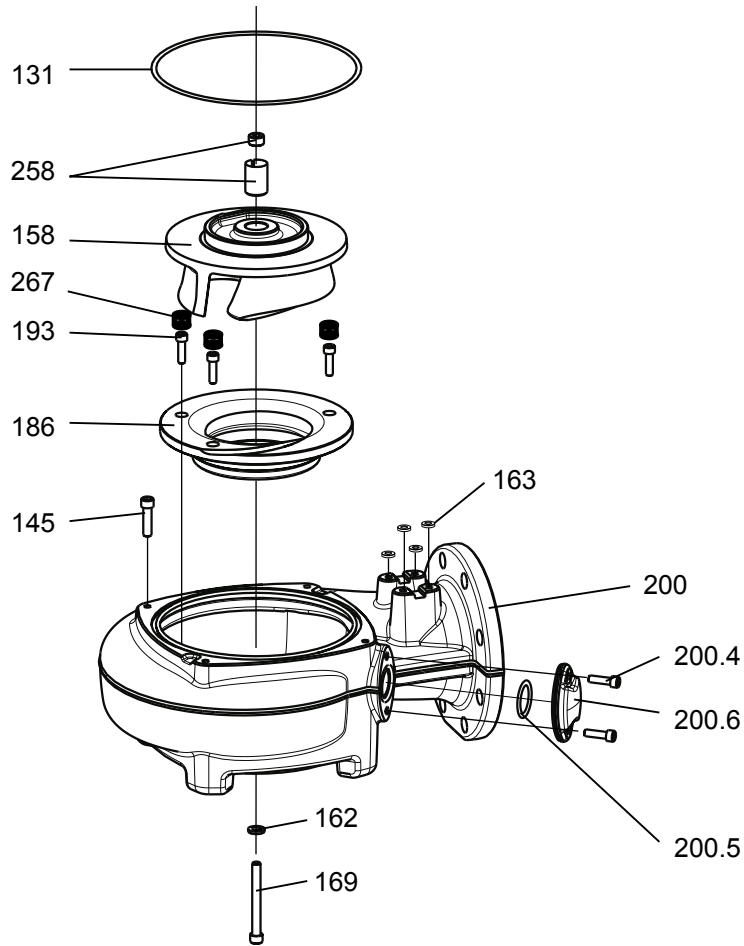


31366

N\_MT

Curve: 430 – 437

N\_3171 MT



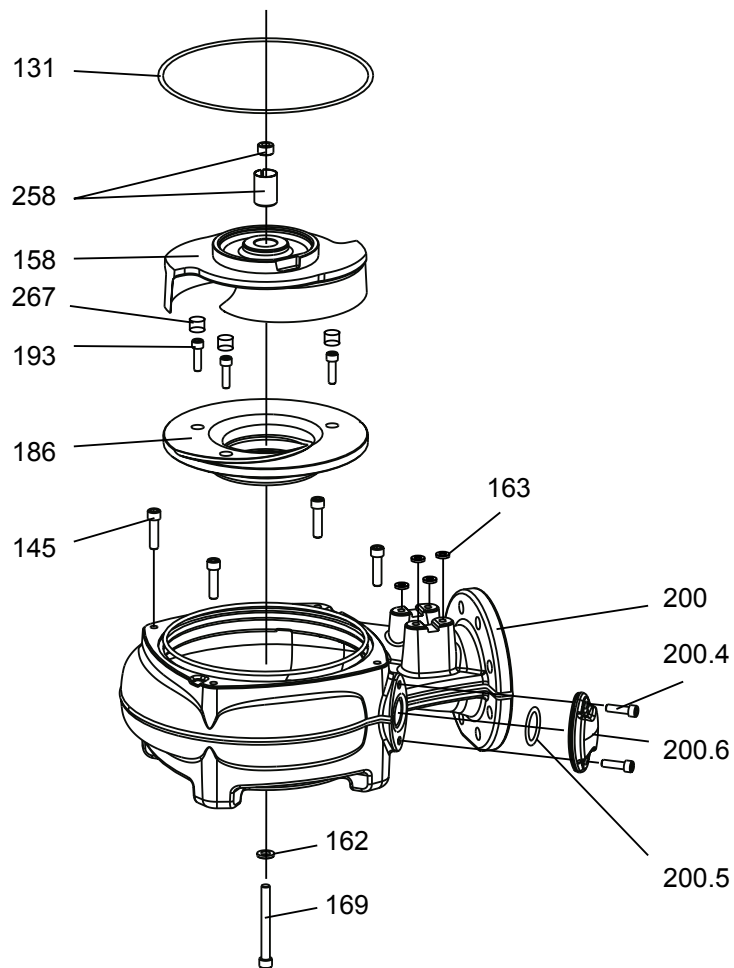
31283



# N\_HT

Curve: 451 – 455

## N\_3171 HT

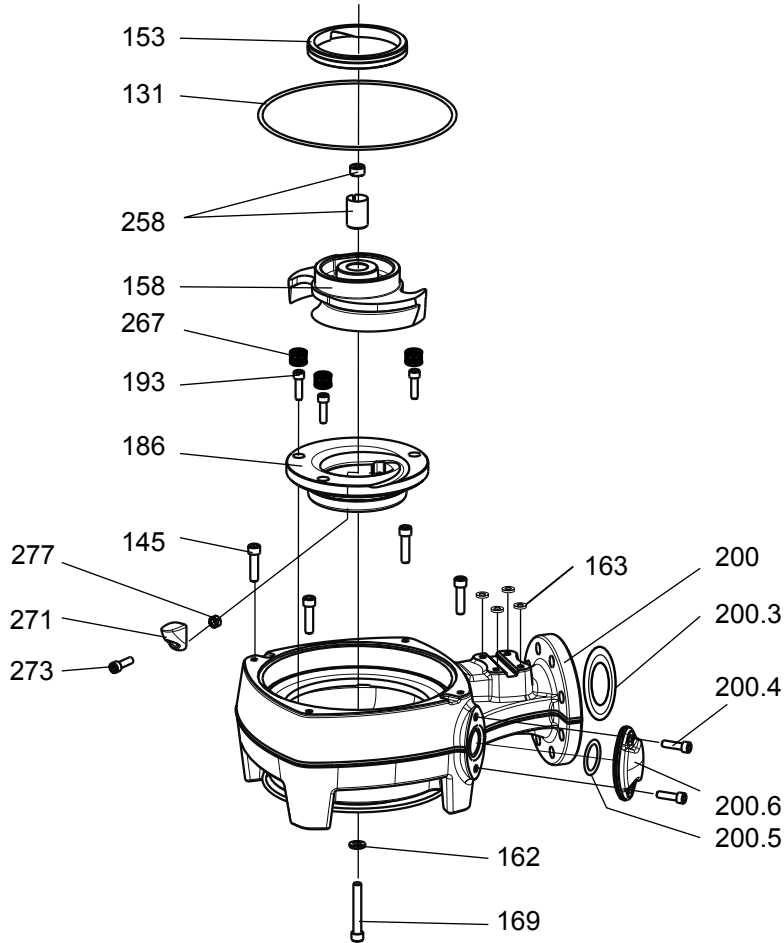


31285

# N\_SH

Curve: 270, 272, 274, 275, 277, 278

## N\_3171 SH



31332

## 3171.091/181/800/810

Pos. No	Part. No	Denomination	Qty/Version			
			091	181	800	810
131	82 75 05	O-ring 339.3X5.7 NBR	1	1		
131	82 75 23	O-ring 339.3X5.7 FPM	1	1		
153	681 31 00	Insert ring	1	1	1	1
158	665 95 00	Impeller	1	1	1	1
158	665 95 09	Impeller	1	1	1	1
158	665 95 15	Impeller	1	1	1	1
		611 LT 50Hz				
		612 LT 50Hz				
		613 LT 50Hz				
		613 LT 60Hz				
158	665 95 24	Impeller	1	1	1	1
		614 LT 50Hz				
		614 LT 60Hz				
158	665 95 30	Impeller	1	1	1	1
158	696 52 00	Impeller	1	1	1	1
158	696 52 12	Impeller	1	1	1	1
158	696 52 24	Impeller	1	1	1	1
158	696 52 36	Impeller	1	1	1	1
		430 MT 50Hz				
		431 MT 50Hz				
		432 MT 50Hz				
		433 MT 50Hz				
		433 MT 60Hz				
158	696 52 47	Impeller	1	1	1	1
		434 MT 50Hz				
		434 MT 60Hz				
158	696 52 58	Impeller	1	1	1	1
158	696 52 68	Impeller	1	1	1	1
158	696 52 78	Impeller	1	1	1	1
		437 MT 50Hz				
		437 MT 60Hz				
158	696 51 00	Impeller	1	1	1	1
158	696 51 17	Impeller	1	1	1	1
		451 HT 50Hz				
		452 HT 50Hz				
		452 HT 60Hz				
158	696 51 34	Impeller	1	1	1	1
		453 HT 50Hz				
		453 HT 60Hz				
158	696 51 50	Impeller	1	1	1	1
		454 HT 50Hz				
		454 HT 60Hz				
158	696 51 64	Impeller	1	1	1	1
		455 HT 50Hz				
		455 HT 60Hz				
158	685 16 00	Impeller	1	1	1	1
158	685 16 19	Impeller	1	1	1	1
158	685 16 32	Impeller	1	1	1	1
		270 SH 50Hz				
		272 SH 50Hz				
		274 SH 50Hz				
		274 SH 60Hz				
158	685 16 50	Impeller	1	1	1	1
		275 SH 50Hz				
		275 SH 60Hz				
158	685 16 65	Impeller	1	1	1	1
158	685 16 77	Impeller	1	1	1	1
		277 SH 60Hz				
		278 SH 60Hz				
158	665 95 38	Impeller			1	1
		616 LT 50Hz				
		616 LT 60Hz				
158	665 95 49	Impeller			1	1
		617 LT 50Hz				
		617 LT 60Hz				
162	82 38 00	Plain washer STAINLESS STEEL A4	1	1	1	1

Pos. No	Part. No	Denomination	Qty/Version			
			091	181	800	810
169	83 04 55	Hex.socket hd screw M12X110-A4-80	1	1	1	1
169	83 04 66	Hex.socket hd screw M12X80-A4-80	1	1	1	1
186	704 69 00	Insert ring	1	1	1	1
186	704 02 00	Insert ring	1	1	1	1
186	704 09 00	Insert ring	1	1	1	1
186	704 62 00	Insert ring	1	1	1	1
186	704 62 01	Insert ring	1	1	1	1
193	83 04 56	Hex.socket hd screw M10X35-A4-80	3	3	3	3
200	704 68 00	Pump housing	1	1	1	1
200	704 68 01	Pump housing	1	1	1	1
200	704 68 05	Pump housing	1	1	1	1
200	704 68 07	Pump housing	1	1	1	1
200	704 68 03	Pump housing	1	1	1	1
200	704 68 31	Pump housing	1	1	1	1
200	704 68 35	Pump housing	1	1	1	1
200	704 68 37	Pump housing	1	1	1	1
200	704 01 00	Pump housing	1	1	1	1
200,4	83 04 56	Hex.socket hd screw M10X35-A4-80	2	2	2	2
200,5	82 81 93	O-ring 44,2X5,7 FPM	1	1	1	1
200,6	648 00 00	Cover	1	1	1	1
200	704 01 06	Pump housing	1	1	1	1
200,4	83 04 56	Hex.socket hd screw M10X35-A4-80	2	2	2	2
200,5	82 81 93	O-ring 44,2X5,7 FPM	1	1	1	1
200,6	648 00 00	Cover	1	1	1	1
200	704 01 03	Pump housing	1	1	1	1
200,4	83 04 56	Hex.socket hd screw M10X35-A4-80	2	2	2	2
200,5	82 81 93	O-ring 44,2X5,7 FPM	1	1	1	1
200,6	648 00 00	Cover	1	1	1	1
200	704 01 36	Pump housing	1	1	1	1
200,4	83 04 56	Hex.socket hd screw M10X35-A4-80	2	2	2	2
200,5	82 81 93	O-ring 44,2X5,7 FPM	1	1	1	1
200,6	648 00 00	Cover	1	1	1	1
200	704 08 00	Pump housing	1	1	1	1
200,4	83 04 56	Hex.socket hd screw M10X35-A4-80	2	2	2	2
200,5	82 81 93	O-ring 44,2X5,7 FPM	1	1	1	1

Pos. No	Part. No	Denomination	Qty/Version			
			091	181	800	810
200	200,6 648 00 00	Cover	1	1	1	1
	704 08 01	Pump housing HT DN 100 Drilled acc. to: EN 1092-2 tab. 9	1	1	1	1
	200,4 83 04 56	Hex.socket hd screw M10X35-A4-80	2	2	2	2
200,5	82 81 93	O-ring 44,2X5,7 FPM	1	1	1	1
200	200,6 648 00 00	Cover	1	1	1	1
	704 08 05	Pump housing HT DN 100 Drilled acc. to: ANSI B16.1-89; tab.5	1	1	1	1
	200,4 83 04 56	Hex.socket hd screw M10X35-A4-80	2	2	2	2
200,5	82 81 93	O-ring 44,2X5,7 FPM	1	1	1	1
200	200,6 648 00 00	Cover	1	1	1	1
	704 08 03	Pump housing HT DN 100 Drilled inlet Prepared for zinc anodes (only for P and S installation)	1	1	1	1
	200,4 83 04 56	Hex.socket hd screw M10X35-A4-80	2	2	2	2
200,5	82 81 93	O-ring 44,2X5,7 FPM	1	1	1	1
200	200,6 648 00 00	Cover	1	1	1	1
	704 08 31	Pump housing HT DN 100 Drilled acc. to: EN 1092-2 tab. 9 Installation: Z Drainage plug	1	1	1	1
	200,4 83 04 56	Hex.socket hd screw M10X35-A4-80	2	2	2	2
200,5	82 81 93	O-ring 44,2X5,7 FPM	1	1	1	1
200	200,6 648 00 00	Cover	1	1	1	1
	704 08 35	Pump housing HT DN 100 Drilled acc. to: ANSI B16.1-89; tab.5 Installation: Z Drainage plug	1	1	1	1
	200,4 83 04 56	Hex.socket hd screw M10X35-A4-80	2	2	2	2
200,5	82 81 93	O-ring 44,2X5,7 FPM	1	1	1	1
200	200,6 648 00 00	Cover	1	1	1	1
	704 61 00	Pump housing SH DN 100	1	1	1	1
	200,4 83 04 56	Hex.socket hd screw M10X35-A4-80	2	2	2	2
200,5	82 81 93	O-ring 44,2X5,7 FPM	1	1	1	1
200	200,6 648 00 00	Cover	1	1	1	1
	704 61 01	Pump housing SH DN 100 Drilled acc. to: EN 1092-2 tab. 9	1	1	1	1
	200,4 83 04 56	Hex.socket hd screw M10X35-A4-80	2	2	2	2
200,5	82 81 93	O-ring 44,2X5,7 FPM	1	1	1	1
200	200,6 648 00 00	Cover	1	1	1	1
	704 61 05	Pump housing SH DN 100 Drilled acc. to: ANSI B16.1-89; tab.5	1	1	1	1
	200,4 83 04 56	Hex.socket hd screw M10X35-A4-80	2	2	2	2
200,5	82 81 93	O-ring 44,2X5,7 FPM	1	1	1	1
200	200,6 648 00 00	Cover	1	1	1	1
	704 61 03	Pump housing SH DN 100 Drilled inlet Prepared for zinc anodes (only for P and S installation)	1	1	1	1
	200,4 83 04 56	Hex.socket hd screw M10X35-A4-80	2	2	2	2
200,5	82 81 93	O-ring 44,2X5,7 FPM	1	1	1	1
200,6	648 00 00	Cover	1	1	1	1

Pos. No	Part. No	Denomination	Qty/Version			
			091	181	800	810
200	704 61 10	Pump housing with outlet sealing SH DN 100	1	1	1	1
200,3	84 90 94	Seal ring	1	1	1	1
200,4	83 04 56	Hex.socket hd screw M10X35-A4-80	2	2	2	2
200,5	82 81 93	O-ring 44,2X5,7 FPM	1	1	1	1
200,6	648 00 00	Cover	1	1	1	1
200	704 61 13	Pump housing with outlet sealing SH DN 100 Drilled inlet Prepared for zinc anodes (only for P and S installation)	1	1	1	1
200,3	84 90 94	Seal ring	1	1	1	1
200,4	83 04 56	Hex.socket hd screw M10X35-A4-80	2	2	2	2
200,5	82 81 93	O-ring 44,2X5,7 FPM	1	1	1	1
200,6	648 00 00	Cover	1	1	1	1
200	704 61 31	Pump housing SH DN 100 Drilled acc. to: EN 1092-2 tab. 9 Installation: Z Drainage plug	1	1	1	1
200,4	83 04 56	Hex.socket hd screw M10X35-A4-80	2	2	2	2
200,5	82 81 93	O-ring 44,2X5,7 FPM	1	1	1	1
200,6	648 00 00	Cover	1	1	1	1
200	704 61 35	Pump housing SH DN 100 Drilled acc. to: ANSI B16.1-89; tab.5 Installation: Z Drainage plug	1	1	1	1
200,4	83 04 56	Hex.socket hd screw M10X35-A4-80	2	2	2	2
200,5	82 81 93	O-ring 44,2X5,7 FPM	1	1	1	1
200,6	648 00 00	Cover	1	1	1	1
258	720 15 00	Sleeve unit	1	1	1	1
267	725 06 00	Plug	3	3	3	3
271	703 22 00	Lip	1	1	1	1
273	83 04 56	Hex.socket hd screw M10X35-A4-80	1	1	1	1
277	82 23 33	Hexagon nut M10-A4-70	1	1	1	1

### 3171.095/185/820/830

Pos. No	Part. No	Denomination	Qty/Version			
			095	185	820	830
131	82 75 05	O-ring 339.3X5.7 NBR	1	1		
131	82 75 23	O-ring 339.3X5.7 FPM	1	1		
153	681 31 00	Insert ring	1	1	1	1
158	704 37 00	Impeller 611 LT 50Hz	1	1	1	1
158	704 37 09	Impeller 612 LT 50Hz	1	1	1	1
158	704 37 15	Impeller 613 LT 50Hz	1	1	1	1
		613 LT 60Hz				
158	704 37 24	Impeller 614 LT 50Hz	1	1	1	1
		614 LT 60Hz				
158	704 37 30	Impeller 615 LT 60Hz	1	1	1	1
158	704 06 12	Impeller 431 MT 50Hz	1	1	1	1
158	704 06 24	Impeller 432 MT 50Hz	1	1	1	1

Pos. No	Part. No	Denomination	Qty/Version			
			095	185	820	830
158	704 06 36	Impeller 433 MT 50Hz	1	1	1	1
		433 MT 60Hz				
158	704 06 47	Impeller 434 MT 50Hz	1	1	1	1
		434 MT 60Hz				
158	704 06 58	Impeller 435 MT 60Hz	1	1	1	1
158	704 06 68	Impeller 436 MT 50Hz	1	1	1	1
		436 MT 60Hz				
158	704 06 78	Impeller 437 MT 60Hz	1	1	1	1
158	704 13 00	Impeller 437 HT 50Hz	1	1	1	1
158	704 13 17	Impeller 452 HT 50Hz	1	1	1	1
		452 HT 60Hz				
158	704 13 34	Impeller 453 HT 50Hz	1	1	1	1
		453 HT 60Hz				
158	704 13 50	Impeller 454 HT 50Hz	1	1	1	1
		454 HT 560Hz				
158	704 13 64	Impeller 455 HT 50Hz	1	1	1	1
		455 HT 60Hz				
158	704 35 00	Impeller 270 SH 50Hz	1	1	1	1
158	704 35 19	Impeller 272 SH50Hz	1	1	1	1
158	704 35 32	Impeller 274 SH50Hz	1	1	1	1
		274 SH60Hz				
158	704 35 50	Impeller 275 SH50Hz	1	1	1	1
		275 SH60Hz				
158	704 35 65	Impeller 277 SH60Hz	1	1	1	1
158	704 35 77	Impeller 278 SH60Hz	1	1	1	1
158	704 37 38	Impeller 616 LT50Hz			1	1
		616 LT60Hz				
158	704 37 49	Impeller 617 LT50Hz			1	1
		617 LT60Hz				
162	82 38 00	Plain washer STAINLESS STEEL A4	1	1	1	1
169	83 04 55	Hex.socket hd screw M12X110-A4-80	1	1	1	1
169	83 04 66	Hex.socket hd screw M12X80-A4-80	1	1	1	1
186	704 70 00	Insert ring LT DN 250	1	1	1	1
186	704 03 00	Insert ring MT DN 150	1	1	1	1
186	704 10 00	Insert ring HT DN 100	1	1	1	1
186	704 63 00	Insert ring SH DN 100	1	1	1	1
186	704 63 01	Insert ring SH DN 100	1	1	1	1
193	83 04 56	Hex.socket hd screw M10X35-A4-80	3	3	3	3
200	704 68 00	Pump housing LT DN 250 Undrilled inlet	1	1	1	1
200	704 68 01	Pump housing LTDN 250 Drilled acc. to: EN 1092-2 tab. 8	1	1	1	1
200	704 68 05	Pump housing LTDN 250 Drilled acc. to: ANSI B16.1-89; tab.5	1	1	1	1
200	704 68 07	Pump housing LTDN 250 Drilled acc. to: EN 1092-2 tab. 9	1	1	1	1

Pos. No	Part. No	Denomination	Qty/Version			
			095	185	820	830
200	704 68 03	Pump housing LTDN 250 Drilled inlet Prepared for zinc anodes (only for P and S installation)	1	1	1	1
200	704 68 31	Pump housing LT N DN 250 Drilled acc. to: EN 1092-2 tab. 8 Installation: Z Drainage plug	1	1	1	1
200	704 68 35	Pump housing LTDN 250 Drilled acc. to: ANSI B16.1-89; tab.5 Installation: Z Drainage plug	1	1	1	1
200	704 68 37	Pump housing LTDN 250 Drilled acc. to: EN 1092-2 tab. 9 Installation: Z Drainage plug	1	1	1	1
200	704 01 00	Pump housing MTDN 150 Undrilled inlet	1	1	1	1
200,4	83 04 56	Hex.socket hd screw M10X35-A4-80	2	2	2	2
200,5	82 81 93	O-ring 44,2X5,7 FPM	1	1	1	1
200,6	648 00 00	Cover	1	1	1	1
200	704 01 06	Pump housing MTDN 150 Drilled acc. to: EN 1092-2 tab. 9 ANSI B16.1-89; tab.5	1	1	1	1
200,4	83 04 56	Hex.socket hd screw M10X35-A4-80	2	2	2	2
200,5	82 81 93	O-ring 44,2X5,7 FPM	1	1	1	1
200,6	648 00 00	Cover	1	1	1	1
200	704 01 03	Pump housing MTDN 150 Drilled inlet Prepared for zinc anodes (only for P and S installation)	1	1	1	1
200,4	83 04 56	Hex.socket hd screw M10X35-A4-80	2	2	2	2
200,5	82 81 93	O-ring 44,2X5,7 FPM	1	1	1	1
200,6	648 00 00	Cover	1	1	1	1
200	704 01 36	Pump housing MTDN 150 Drilled acc. to: ANSI B16.1-89; tab.5 EN 1092-2 tab. 9 Installation: Z Drainage plug	1	1	1	1
200,4	83 04 56	Hex.socket hd screw M10X35-A4-80	2	2	2	2
200,5	82 81 93	O-ring 44,2X5,7 FPM	1	1	1	1
200,6	648 00 00	Cover	1	1	1	1
200	704 08 00	Pump housing HTDN 100 Undrilled inlet	1	1	1	1
200,4	83 04 56	Hex.socket hd screw M10X35-A4-80	2	2	2	2
200,5	82 81 93	O-ring 44,2X5,7 FPM	1	1	1	1
200,6	648 00 00	Cover	1	1	1	1
200	704 08 01	Pump housing HTDN 100 Drilled acc. to: EN 1092-2 tab. 9	1	1	1	1
200,4	83 04 56	Hex.socket hd screw M10X35-A4-80	2	2	2	2
200,5	82 81 93	O-ring 44,2X5,7 FPM	1	1	1	1
200,6	648 00 00	Cover	1	1	1	1
200	704 08 05	Pump housing HTDN 100 Drilled acc. to: ANSI B16.1-89; tab.5	1	1	1	1
200,4	83 04 56	Hex.socket hd screw M10X35-A4-80	2	2	2	2
200,5	82 81 93	O-ring 44,2X5,7 FPM	1	1	1	1
200,6	648 00 00	Cover	1	1	1	1
200	704 08 03	Pump housing HTDN 100 Drilled inlet Prepared for zinc anodes (only for P and S installation)	1	1	1	1
200,4	83 04 56	Hex.socket hd screw M10X35-A4-80	2	2	2	2
200,5	82 81 93	O-ring 44,2X5,7 FPM	1	1	1	1
200,6	648 00 00	Cover	1	1	1	1



Pos. No	Part. No	Denomination	Qty/Version			
			095	185	820	830
200	704 08 31	Pump housing HTDN 100 Drilled acc. to: EN 1092-2 tab. 9 Installation: Z Drainage plug	1	1	1	1
	200,4 83 04 56	Hex.socket hd screw M10X35-A4-80	2	2	2	2
	200,5 82 81 93	O-ring 44,2X5,7 FPM	1	1	1	1
	200,6 648 00 00	Cover	1	1	1	1
200	704 08 35	Pump housing HTDN 100 Drilled acc. to: ANSI B16.1-89; tab.5 Installation: Z Drainage plug	1	1	1	1
	200,4 83 04 56	Hex.socket hd screw M10X35-A4-80	2	2	2	2
	200,5 82 81 93	O-ring 44,2X5,7 FPM	1	1	1	1
	200,6 648 00 00	Cover	1	1	1	1
200	704 61 00	Pump housing SHDN 100	1	1	1	1
	200,4 83 04 56	Hex.socket hd screw M10X35-A4-80	2	2	2	2
	200,5 82 81 93	O-ring 44,2X5,7 FPM	1	1	1	1
	200,6 648 00 00	Cover	1	1	1	1
200	704 61 01	Pump housing SHDN 100 Drilled acc. to: EN 1092-2 tab. 9	1	1	1	1
	200,4 83 04 56	Hex.socket hd screw M10X35-A4-80	2	2	2	2
	200,5 82 81 93	O-ring 44,2X5,7 FPM	1	1	1	1
	200,6 648 00 00	Cover	1	1	1	1
200	704 61 05	Pump housing SHDN 100 Drilled acc. to: ANSI B16.1-89; tab.5	1	1	1	1
	200,4 83 04 56	Hex.socket hd screw M10X35-A4-80	2	2	2	2
	200,5 82 81 93	O-ring 44,2X5,7 FPM	1	1	1	1
	200,6 648 00 00	Cover	1	1	1	1
200	704 61 03	Pump housing SHDN 100 Drilled inlet Prepared for zinc anodes (only for P and S installation)	1	1	1	1
	200,4 83 04 56	Hex.socket hd screw M10X35-A4-80	2	2	2	2
	200,5 82 81 93	O-ring 44,2X5,7 FPM	1	1	1	1
	200,6 648 00 00	Cover	1	1	1	1
200	704 61 10	Pump housing Pump housing with outlet sealing SH DN 100	1	1	1	1
	200,3 84 90 94	Seal ring	1	1	1	1
	200,4 83 04 56	Hex.socket hd screw M10X35-A4-80	2	2	2	2
	200,5 82 81 93	O-ring 44,2X5,7 FPM	1	1	1	1
	200,6 648 00 00	Cover	1	1	1	1
200	704 61 13	Pump housing Pump housing with outlet sealing SH DN 100 Drilled inlet Prepared for zinc anodes (only for P and S installation)	1	1	1	1
	200,3 84 90 94	Seal ring	1	1	1	1
	200,4 83 04 56	Hex.socket hd screw M10X35-A4-80	2	2	2	2
	200,5 82 81 93	O-ring 44,2X5,7 FPM	1	1	1	1
	200,6 648 00 00	Cover	1	1	1	1
200	704 61 31	Pump housing SH DN 100 Drilled acc. to: EN 1092-2 tab. 9 Installation: Z Drainage plug	1	1	1	1
	200,4 83 04 56	Hex.socket hd screw M10X35-A4-80	2	2	2	2
	200,5 82 81 93	O-ring 44,2X5,7 FPM	1	1	1	1

Pos. No	Part. No	Denomination	Qty/Version			
			095	185	820	830
200	200,6 648 00 00	Cover	1	1	1	1
	704 61 35	Pump housing SH DN 100 Drilled acc. to: ANSI B16.1-89; tab.5 Installation: Z Drainage plug	1	1	1	1
	200,4 83 04 56	Hex.socket hd screw M10X35-A4-80	2	2	2	2
	200,5 82 81 93	O-ring 44,2X5,7 FPM	1	1	1	1
	200,6 648 00 00	Cover	1	1	1	1
258	720 15 00	Sleeve unit	1	1	1	1
267	725 06 00	Plug	3	3	3	3
267	725 06 00	Plug	3			3
271	703 22 00	Lip	1	1	1	1
273	83 04 56	Hex.socket hd screw M10X35-A4-80	1	1	1	1
277	82 23 33	Hexagon nut M10-A4-70	1	1	1	1

### 3171.660/670/860/870

Pos. No	Part. No	Denomination	Qty/Version			
			660	670	860	870
131	82 75 05	O-ring 339.3X5.7 NBR	1	1	1	1
131	82 75 23	O-ring 339.3X5.7 FPM	1	1	1	1
158	766 03 00	Impeller 430 MT 50Hz	1	1	1	1
158	766 03 12	Impeller 431 MT 50Hz	1	1	1	1
158	766 03 24	Impeller 432 MT 50Hz	1	1	1	1
158	766 03 36	Impeller 433 MT 50Hz	1	1	1	1
		433 MT 60Hz				
158	766 03 47	Impeller 434 MT 50Hz	1	1	1	1
		434 MT 60Hz				
158	766 03 58	Impeller 435 MT 60Hz	1	1	1	1
158	766 03 68	Impeller 436 MT 60Hz	1	1	1	1
158	766 03 78	Impeller 437 MT 60Hz	1	1	1	1
162	82 38 00	Plain washer STAINLESS STEEL A4	1	1	1	1
169	83 04 55	Hex.socket hd screw M12X110-A4-80	1	1	1	1
186	704 02 00	Insert ring	1	1	1	1
193	83 04 56	Hex.socket hd screw M10X35-A4-80	3	3	3	3
200	704 01 06	Pump housing MTDN 150 Drilled acc. to: EN 1092-2 tab. 9 ANSI B16.1-89; tab.5	1	1	1	1
	200,4 83 04 56	Hex.socket hd screw M10X35-A4-80	2	2	2	2
	200,5 82 81 93	O-ring 44,2X5,7 FPM	1	1	1	1
	200,6 648 00 00	Cover	1	1	1	1
	704 01 03	Pump housing MTDN 150 Drilled inlet Prepared for zinc anodes (only for P and S installation)	1	1	1	1
	200,4 83 04 56	Hex.socket hd screw M10X35-A4-80	2	2	2	2
200	200,5 82 81 93	O-ring 44,2X5,7 FPM	1	1	1	1
	200,6 648 00 00	Cover	1	1	1	1
258	720 15 00	Sleeve unit	1	1	1	1
267	725 06 00	Plug	3	3	3	3

## 3171.350/390/840/850

Pos. No	Part. No	Denomination	Qty/Version				
			350	390	840	850	
131	82 75 05	O-ring 339.3X5.7 NBR	1	1	1	1	
131	82 75 23	O-ring 339.3X5.7 FPM	1	1	1	1	
153	681 31 00	Insert ring	1	1	1	1	
158	704 06 12	Impeller	431 MT 50Hz	1	1	1	1
158	704 06 24	Impeller	432 MT 50Hz	1	1	1	1
158	704 06 36	Impeller	433 MT 50Hz	1	1	1	1
			433 MT 60Hz				
158	704 06 47	Impeller	434 MT 50Hz	1	1	1	1
			434 MT 60Hz				
158	704 06 58	Impeller	435 MT 60Hz	1	1	1	1
158	704 06 68	Impeller	436 MT 50Hz	1	1	1	1
			436 MT 60Hz				
158	704 06 78	Impeller	437 MT 60Hz	1	1	1	1
158	704 13 00	Impeller	451 HT 50Hz	1	1	1	1
158	704 13 17	Impeller	452 HT 50Hz	1	1	1	1
158	704 13 34	Impeller	453 HT 50Hz	1	1	1	1
			453 HT 60Hz				
158	704 13 50	Impeller	454 HT 50Hz	1	1	1	1
			454 HT 60Hz				
158	704 13 64	Impeller	455 HT 50Hz	1	1	1	1
			455 HT 60Hz				
158	704 35 00	Impeller	270 SH 50Hz	1	1	1	1
158	704 35 19	Impeller	272 SH 50Hz	1	1	1	1
158	704 35 32	Impeller	274 SH 50Hz	1	1	1	1
158	704 35 50	Impeller	275 SH 50Hz	1	1	1	1
			275 SH 60Hz				
158	704 35 65	Impeller	277 SH 60Hz	1	1	1	1
158	704 35 77	Impeller	278 SH 60Hz	1	1	1	1
162	82 38 00	Plain washer STAINLESS STEEL A4		1	1	1	1
163	82 69 40	Protective plug			4	4	
169	83 04 55	Hex.socket hd screw M12X110-A4-80	MT HT SH	1	1	1	1
169	83 04 66	Hex.socket hd screw M12X80-A4-80	SH	1	1	1	1
186	704 04 00	Insert ring	MT DN 150	1	1	1	1
186	704 11 00	Insert ring	HT DN 100	1	1	1	1
186	702 72 01	Insert ring	SH DN 100	1	1	1	1
193	83 04 56	Hex.socket hd screw M10X35-A4-80		3	3	3	3
200	704 01 00	Pump housing	MTDN 150 Undrilled inlet	1	1	1	1
200,4	83 04 56	Hex.socket hd screw M10X35-A4-80		2	2	2	2
200,5	82 81 93	O-ring 44,2X5,7 FPM		1	1	1	1
200,6	648 00 00	Cover		1	1	1	1
200	704 01 06	Pump housing	MTDN 150 Drilled acc. to: EN 1092-2 tab. 9 ANSI B16.1-89; tab.5	1	1	1	1
200,4	83 04 56	Hex.socket hd screw M10X35-A4-80		2	2	2	2

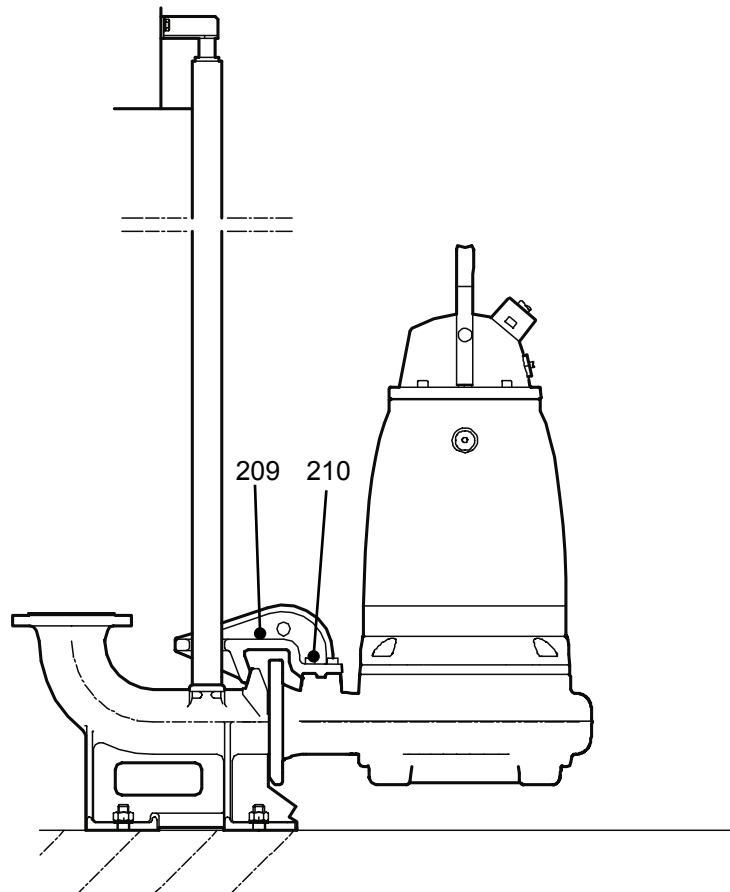
Pos. No	Part. No	Denomination	Qty/Version			
			350	390	840	850
200	200,5 82 81 93	O-ring 44,2X5,7 FPM	1	1	1	1
	200,6 648 00 00	Cover	1	1	1	1
	704 01 03	Pump housing	1	1	1	1
			MTDN 150 Drilled inlet Prepared for zinc anodes (only for P and S installation)			
200	200,4 83 04 56	Hex.socket hd screw M10X35-A4-80	2	2	2	2
	200,5 82 81 93	O-ring 44,2X5,7 FPM	1	1	1	1
	200,6 648 00 00	Cover	1	1	1	1
	704 01 36	Pump housing	1	1	1	1
		MTDN 150 Drilled acc. to: ANSI B16.1-89; tab.5 EN 1092-2 tab. 9 Installation: Z Drainage plug				
200	200,4 83 04 56	Hex.socket hd screw M10X35-A4-80	2	2	2	2
	200,5 82 81 93	O-ring 44,2X5,7 FPM	1	1	1	1
	200,6 648 00 00	Cover	1	1	1	1
	704 08 00	Pump housing	1	1	1	1
		HTDN 100 Undrilled inlet				
200	200,4 83 04 56	Hex.socket hd screw M10X35-A4-80	2	2	2	2
	200,5 82 81 93	O-ring 44,2X5,7 FPM	1	1	1	1
	200,6 648 00 00	Cover	1	1	1	1
	704 08 01	Pump housing	1	1	1	1
		HTDN 100 Drilled acc. to: EN 1092-2 tab. 9				
200	200,4 83 04 56	Hex.socket hd screw M10X35-A4-80	2	2	2	2
	200,5 82 81 93	O-ring 44,2X5,7 FPM	1	1	1	1
	200,6 648 00 00	Cover	1	1	1	1
	704 08 05	Pump housing	1	1	1	1
		HTDN 100 Drilled acc. to: ANSI B16.1-89; tab.5				
200	200,4 83 04 56	Hex.socket hd screw M10X35-A4-80	2	2	2	2
	200,5 82 81 93	O-ring 44,2X5,7 FPM	1	1	1	1
	200,6 648 00 00	Cover	1	1	1	1
	704 08 03	Pump housing	1	1	1	1
		HTDN 100 Drilled inlet Prepared for zinc anodes (only for P and S installation)				
200	200,4 83 04 56	Hex.socket hd screw M10X35-A4-80	2	2	2	2
	200,5 82 81 93	O-ring 44,2X5,7 FPM	1	1	1	1
	200,6 648 00 00	Cover	1	1	1	1
	704 08 31	Pump housing	1	1	1	1
		HTDN 100 Drilled acc. to: EN 1092-2 tab. 9 Installation: Z Drainage plug				
200	200,4 83 04 56	Hex.socket hd screw M10X35-A4-80	2	2	2	2
	200,5 82 81 93	O-ring 44,2X5,7 FPM	1	1	1	1
	200,6 648 00 00	Cover	1	1	1	1
	704 08 35	Pump housing	1	1	1	1
		HTDN 100 Drilled acc. to: ANSI B16.1-89; tab.5 Installation: Z Drainage plug				
200	200,4 83 04 56	Hex.socket hd screw M10X35-A4-80	2	2	2	2
	200,5 82 81 93	O-ring 44,2X5,7 FPM	1	1	1	1
	200,6 648 00 00	Cover	1	1	1	1
	704 61 00	Pump housing	1	1	1	1
		SH DN 100				
200	200,4 83 04 56	Hex.socket hd screw M10X35-A4-80	2	2	2	2
	200,5 82 81 93	O-ring 44,2X5,7 FPM	1	1	1	1

Pos. No	Part. No	Denomination	Qty/Version			
			350	390	840	850
200	200,6 648 00 00	Cover	1	1	1	1
	704 61 01	Pump housing SH DN 100 Drilled acc. to: EN 1092-2 tab. 9	1	1	1	1
	200,4 83 04 56	Hex.socket hd screw M10X35-A4-80	2	2	2	2
	200,5 82 81 93	O-ring 44,2X5,7 FPM	1	1	1	1
200	200,6 648 00 00	Cover	1	1	1	1
	704 61 05	Pump housing SH DN 100 Drilled acc. to: ANSI B16.1-89; tab.5	1	1	1	1
	200,4 83 04 56	Hex.socket hd screw M10X35-A4-80	2	2	2	2
	200,5 82 81 93	O-ring 44,2X5,7 FPM	1	1	1	1
200	200,6 648 00 00	Cover	1	1	1	1
	704 61 03	Pump housing SH DN 100 Drilled inlet Prepared for zinc anodes (only for P and S installation)	1	1	1	1
	200,4 83 04 56	Hex.socket hd screw M10X35-A4-80	2	2	2	2
	200,5 82 81 93	O-ring 44,2X5,7 FPM	1	1	1	1
200	200,6 648 00 00	Cover	1	1	1	1
	704 61 10	Pump housing SH DN 100	1	1	1	1
	200,3 84 90 94	Seal ring	1	1	1	1
	200,4 83 04 56	Hex.socket hd screw M10X35-A4-80	2	2	2	2
200	200,5 82 81 93	O-ring 44,2X5,7 FPM	1	1	1	1
	200,6 648 00 00	Cover	1	1	1	1
	704 61 13	Pump housing SH DN 100 Drilled inlet Prepared for zinc anodes (only for P and S installation)	1	1	1	1
	200,3 84 90 94	Seal ring	1	1	1	1
200	200,4 83 04 56	Hex.socket hd screw M10X35-A4-80	2	2	2	2
	200,5 82 81 93	O-ring 44,2X5,7 FPM	1	1	1	1
	200,6 648 00 00	Cover	1	1	1	1
	704 61 31	Pump housing SH DN 100 Drilled acc. to: EN 1092-2 tab. 9 Installation: Z Drainage plug	1	1	1	1
200	200,4 83 04 56	Hex.socket hd screw M10X35-A4-80	2	2	2	2
	200,5 82 81 93	O-ring 44,2X5,7 FPM	1	1	1	1
	200,6 648 00 00	Cover	1	1	1	1
	704 61 35	Pump housing SH DN 100 Drilled acc. to: ANSI B16.1-89; tab.5 Installation: Z Drainage plug	1	1	1	1
258	200,4 83 04 56	Hex.socket hd screw M10X35-A4-80	2	2	2	2
	200,5 82 81 93	O-ring 44,2X5,7 FPM	1	1	1	1
	200,6 648 00 00	Cover	1	1	1	1
267	720 15 00	Sleeve unit	1	1	1	1
267	725 06 00	Plug	3	3	3	3
267	725 06 00	Plug	1	3	1	3
271	703 22 00	Lip	1	1	1	1
273	83 04 56	Hex.socket hd screw M10X35-A4-80	1	1	1	1
277	82 23 33	Hexagon nut M10-A4-70	1	1	1	1

# Installation Components

FP/NP

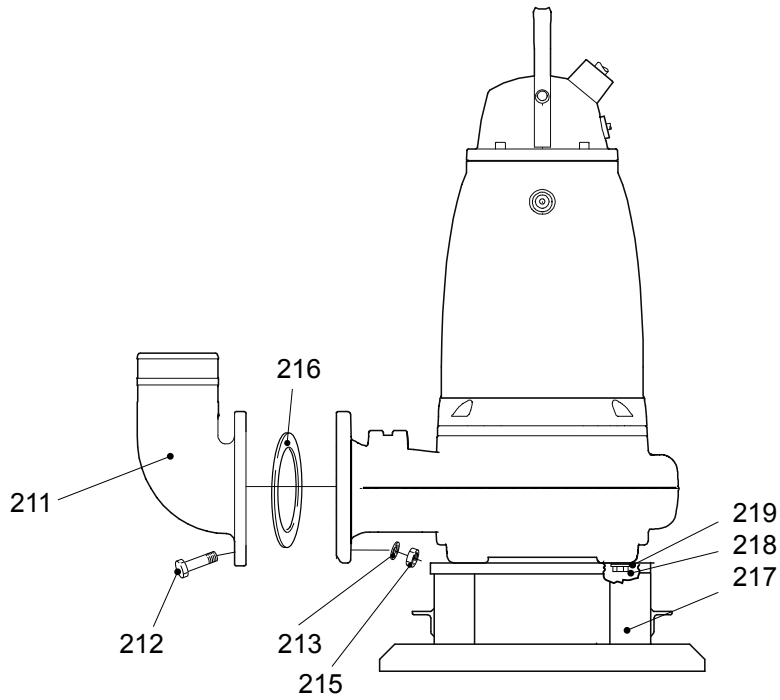
FP/NP 3171



30902

# FS/NS

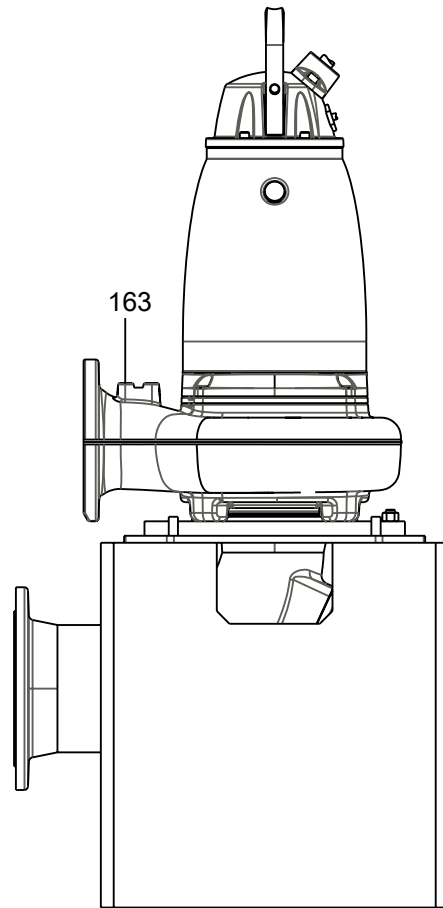
## FS/NS 3171



30903

FT/NT

FT/NT 3171



31487

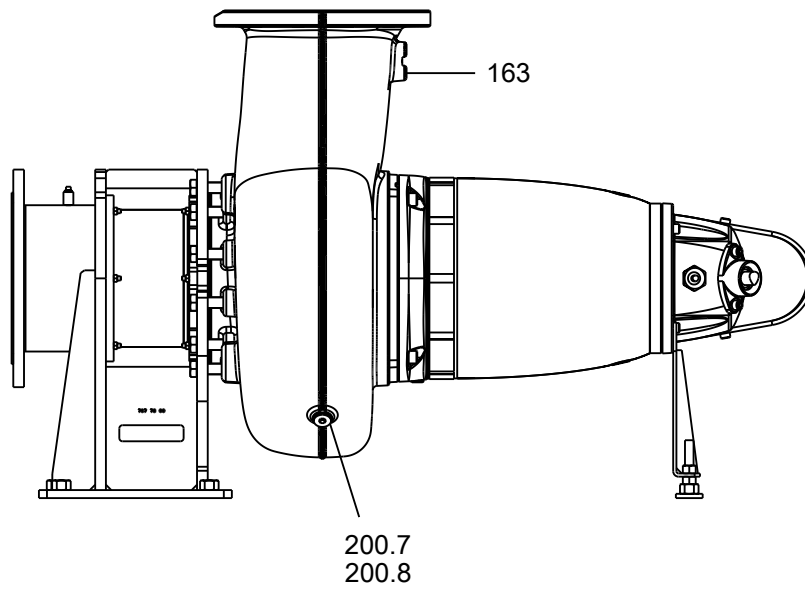


# FZ/NZ

Standard design

FZ/NZ 3171

Alt. 1

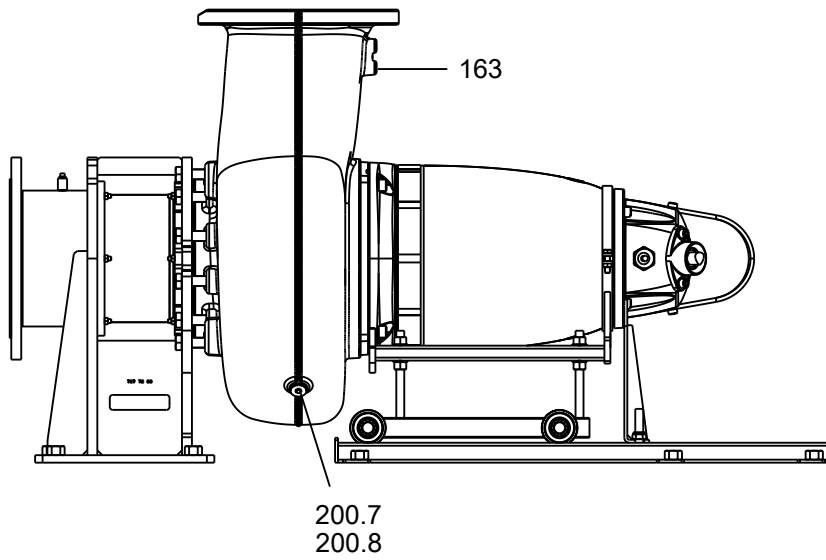


31492

Alternative design, with service cart

FZ/NZ 3171

Alt. 2



31493

For more information, refer to Mechanical Installation Equipment on TPI.

## 3171.091/181/800/810

Pos. No	Part. No	Denomination	Qty/Version			
			091	181	800	810
163	82 69 40	Protective plug	4	4	4	4
	200,7 80 14 40	Plug	1	1	1	1
	200,8 80 14 42	Gasket	1	1	1	1
205	374 76 46	Discharge con.stat.	1	1	1	1
209	651 08 00	Sliding bracket	1	1	1	1
		For a retrofit installation Guide bar dimension : 80mm				
209	651 07 01	Sliding bracket	1	1	1	1
		Guide bar dimension : 50mm				
210	83 04 53	Hex.socket hd screw M12X45-A4-80	4	4	4	4
211	479 26 00	Discharge connection	1	1	1	1
		LT DN 250				
211	379 32 00	Discharge connection	1	1	1	1
		LT DN 200				
211	295 57 00	Discharge connection	1	1	1	1
		MT DN 150				
211	309 31 00	Discharge connection	1	1	1	1
		MT Thread : 6-8 NPSM Outer DN 150				
211	309 31 01	Discharge connection	1	1	1	1
		MT Thread : ISO G6A Outer Quick coupling: Storz DN 150				
211	259 82 04	Discharge connection	1	1	1	1
		HT SH DN 100				
211	259 84 05	Discharge connection	1	1	1	1
		HT SH Thread : 4-8 NPSM Outer DN 100				
211	259 84 06	Discharge connection	1	1	1	1
		HT SH Thread : ISO G4A Outer DN 100				
		SH HT Thread : ISO G4A Outer Quick coupling: Storz diam= 133 mm DN 100				
		SH HT Thread : ISO G4A Outer Quick coupling: Storz diam=115 mm DN 100				
212	84 34 34	Hexagon head screw M20X80-A2-70	4	4	4	4
		LT				
212	84 34 34	Hexagon head screw M20X80-A2-70	12	12	12	12
		LT				
212	84 34 32	Hexagon head screw M20X70-A2-70	8	8	8	8
		MT				
212	84 34 07	Hexagon head screw M16X60-A2-70	4	4	4	4
		HT SH				
213	82 35 23	Plain washer 16-A2-A-170	4	4	4	4
215	82 23 62	Hexagon nut M20-A2-70	4	4	4	4
		MT LT				
215	82 23 62	Hexagon nut M20-A2-70	12	12	12	12
		MT LT				
215	82 23 62	Hexagon nut M20-A2-70	8	8	8	8
		MT LT				
215	82 23 61	Hexagon nut M16-A2-70	4	4	4	4
		HT SH				
216	384 45 00	Gasket 8"	1	1	1	1
		LT				
216	295 64 00	Gasket 6"	1	1	1	1
		MT				
216	259 83 00	Gasket 4"	1	1	1	1
		HT SH				
217	380 92 00	Stand compl.	1	1	1	1
		MT LT				
217	396 11 00	Stand compl.	1	1	1	1
		HT SH				
218	84 34 03	Hexagon head screw M16X40-A2-70	4	4	4	4
219	82 35 26	Plain washer 20-A2-A-170	4	4	4	4
		MT LT				
219	82 37 85	Plain washer	4	4	4	4
		HT SH MT LT				
219	82 35 26	Plain washer 20-A2-A-170	12	12	12	12
		MT LT				
219	82 35 26	Plain washer 20-A2-A-170	8	8	8	8
		MT LT				
227	83 19 36	Coupling part	1	1	1	1
		MT Quick coupling: Storz				
227	83 19 34	Coupling part DN110 INNER THREAD G4	1	1	1	1
		SH HT Quick coupling: Storz diam= 133 mm				

Pos. No	Part. No	Denomination	Qty/Version			
			091	181	800	810
227	83 19 33	Coupling part SH HT Quick coupling: Storz diam=115 mm		1	1	

### 3171.095/185/820/830

Pos. No	Part. No	Denomination	Qty/Version			
			095	185	820	830
163	82 69 40	Protective plug	4	4	4	4
	200,7 80 14 40	Plug	1	1	1	1
	200,8 80 14 42	Gasket	1	1	1	1
205	374 76 46	Discharge con.stat.	1	1	1	1
209	651 08 00	Sliding bracket For a retrofit installation Guide bar dimension : 80mm	1	1	1	1
209	651 07 01	Sliding bracket Guide bar dimension : 50mm	1	1	1	1
210	83 04 53	Hex.socket hd screw M12X45-A4-80	4	4	4	4
211	479 26 00	Discharge connection LT DN 250	1	1	1	1
211	379 32 00	Discharge connection LT DN 200	1	1	1	1
211	295 57 00	Discharge connection MT DN 150	1	1	1	1
211	309 31 00	Discharge connection MT Thread : 6-8 NPSM Outer DN 150	1	1	1	1
211	309 31 01	Discharge connection MT Thread : ISO G6A Outer Quick coupling: Storz DN 150	1	1	1	1
211	259 82 04	Discharge connection HT SH DN 100	1	1	1	1
211	259 84 05	Discharge connection HT SH Thread : 4-8 NPSM Outer DN 100	1	1	1	1
211	259 84 06	Discharge connection HT SH Thread : ISO G4A Outer Quick coupling: Storz diam= 133 mm DN 100 HT SH Thread : ISO G4A Outer DN 100 HT SH Thread : ISO G4A Outer Quick coupling: Storz diam=115 mm DN 100	1	1	1	1
212	84 34 34	Hexagon head screw M20X80-A2-70 LT	4	4	4	4
212	84 34 34	Hexagon head screw M20X80-A2-70 LT	12	12	12	12
212	84 34 32	Hexagon head screw M20X70-A2-70 MT	8	8	8	8
212	84 34 07	Hexagon head screw M16X60-A2-70 HT	4	4	4	4
213	82 35 23	Plain washer 16-A2-A-170	4	4	4	4
215	82 23 62	Hexagon nut M20-A2-70 LT MT	4	4	4	4
215	82 23 62	Hexagon nut M20-A2-70 LT MT	12	12	12	12
215	82 23 62	Hexagon nut M20-A2-70 LT MT	8	8	8	8
215	82 23 61	Hexagon nut M16-A2-70 HT	4	4	4	4
216	384 45 00	Gasket 8" LT	1	1	1	1
216	295 64 00	Gasket 6" MT	1	1	1	1
216	259 83 00	Gasket 4" HT	1	1	1	1
217	380 92 00	Stand compl. LT MT	1	1	1	1
217	396 11 00	Stand compl. HT	1	1	1	1
218	84 34 03	Hexagon head screw M16X40-A2-70	4	4	4	4
219	82 35 26	Plain washer 20-A2-A-170 LT MT	4	4	4	4
219	82 37 85	Plain washer LT HT MT	4	4	4	4
219	82 35 26	Plain washer 20-A2-A-170 LT MT	12	12	12	12

Pos. No	Part. No	Denomination	Qty/Version			
			095	185	820	830
219	82 35 26	Plain washer 20-A2-A-170	8	8	8	8
227	83 19 36	Coupling part	1	1	1	1
227	83 19 33	Coupling part		1	1	
227	83 19 34	Coupling part DN110 INNER THREAD G4		1	1	

### 3171.660/670/860/870

Pos. No	Part. No	Denomination	Qty/Version			
			660	670	860	870
163	82 69 40	Protective plug	4	4	4	4
205	374 76 46	Discharge con.stat.	1	1	1	1
209	651 08 00	Sliding bracket	1	1	1	1
209	651 07 01	Sliding bracket	1	1	1	1
210	83 04 53	Hex.socket hd screw M12X45-A4-80	4	4	4	4
211	295 57 00	Discharge connection	1	1	1	1
211	309 31 00	Discharge connection	1	1	1	1
211	309 31 01	Discharge connection	1	1	1	1
212	84 34 32	Hexagon head screw M20X70-A2-70	8	8	8	8
215	82 23 62	Hexagon nut M20-A2-70	8	8	8	8
216	295 64 00	Gasket 6"	1	1	1	1
217	380 92 00	Stand compl.	1	1	1	1
218	84 34 03	Hexagon head screw M16X40-A2-70	4	4	4	4
219	82 35 26	Plain washer 20-A2-A-170	8	8	8	8
219	82 38 01	Plain washer STAINLESS STEEL A4	4	4	4	4
227	83 19 36	Coupling part	1	1	1	1

### 3171.350/390/840/850

Pos. No	Part. No	Denomination	Qty/Version			
			350	390	840	850
163	82 69 40	Protective plug	4	4		
	200,7 80 14 40	Plug	1	1	1	1
	200,8 80 14 42	Gasket	1	1	1	1
205	374 76 46	Discharge con.stat.	1	1	1	1
209	651 08 00	Sliding bracket	1	1	1	1
209	651 07 01	Sliding bracket	1	1	1	1
210	83 04 53	Hex.socket hd screw M12X45-A4-80	4	4	4	4
211	295 57 00	Discharge connection	1	1	1	1
211	309 31 00	Discharge connection	1	1	1	1

Pos. No	Part. No	Denomination	Qty/Version			
			350	390	840	850
211	309 31 01	Discharge connection MT Thread : IO G6A Outer Quick coupling: Storz DN 150	1	1	1	1
211	259 82 04	Discharge connection HT H DN 100	1	1	1	1
211	259 84 05	Discharge connection HT H Thread : 4-8 NPM Outer DN 100	1	1	1	1
211	259 84 06	Discharge connection HT H Thread : IO G4A Outer Quick coupling: Storz diam=115 mm DN 100 HT H Thread : IO G4A Outer DN 100	1	1	1	1
212	84 34 32	Hexagon head screw M20X70-A2-70 MT	8	8	8	8
212	84 34 07	Hexagon head screw M16X60-A2-70 HT	4	4	4	4
213	82 35 23	Plain washer 16-A2-A-170 HT	4	4	4	4
215	82 23 62	Hexagon nut M20-A2-70 MT	8	8	8	8
215	82 23 61	Hexagon nut M16-A2-70 HT	4	4	4	4
216	295 64 00	Gasket 6" MT	1	1	1	1
216	259 83 00	Gasket 4" HT	1	1	1	1
217	380 92 00	Stand compl. MT	1	1	1	1
217	396 11 00	Stand compl. HT	1	1	1	1
218	84 34 03	Hexagon head screw M16X40-A2-70 MT HT	4	4	4	4
219	82 35 26	Plain washer 20-A2-A-170 MT	8	8	8	8
219	82 37 85	Plain washer MT HT	4	4	4	
219	82 38 01	Plain washer STAINLESS STEEL A4 MT HT				4
227	83 19 36	Coupling part MT Quick coupling: Storz	1	1	1	1
227	83 19 33	Coupling part HT Quick coupling: Storz diam=115 mm	1		1	

# Service Parts

3171.091/181/800/810

Pos. No	Part. No	Denomination	Qty/Version			
			091	181	800	810
800	82 96 96	O-ring kit STANDARD	1	1	1	1
800	82 96 97	O-ring kit HOT WATER	1	1		
808	769 30 00	N-pump kit CURVE: 611 "N-LT"	1	1		
808	769 30 01	N-pump kit CURVE:612	1	1		
808	769 30 02	N-pump kit CURVE: 613 "N-LT"	1	1		
808	769 30 03	N-pump kit CURVE:614	1	1		
808	769 30 04	N-pump kit CURVE: 615 "N-LT"	1	1		
808	769 30 05	N-pump kit CURVE: 431 "N-MT"	1	1		
808	769 30 06	N-pump kit CURVE:432	1	1		
808	769 30 07	N-pump kit CURVE:433	1	1		
808	769 30 08	N-pump kit CURVE: 434 "N-MT"	1	1		
808	769 30 09	N-pump kit CURVE:435	1	1		
808	769 30 10	N-pump kit CURVE: 436 "N-MT"	1	1		
808	769 30 11	N-pump kit CURVE:437	1	1		
808	769 30 12	N-pump kit CURVE: 451 "N-HT"	1	1		
808	769 30 13	N-pump kit CURVE:452	1	1		
808	769 30 14	N-pump kit CURVE: 453 "N-HT"	1	1		
808	769 30 15	N-pump kit CURVE:454	1	1		
808	769 30 16	N-pump kit CURVE: 455 "N-HT"	1	1		
808	769 30 17	N-pump kit CURVE:270	1	1		
808	769 30 18	N-pump kit CURVE: 272 "N-SH"	1	1		
808	769 30 19	N-pump kit CURVE: 274 "N-SH"	1	1		
808	769 30 20	N-pump kit CURVE: 275 "N-SH"	1	1		
808	769 30 21	N-pump kit CURVE: 277 "N-SH"	1	1		
808	769 30 22	N-pump kit CURVE:278	1	1		
808	769 30 28	N-pump kit CURVE: 431 "N-MT"	1	1		
808	769 30 29	N-pump kit CURVE:432	1	1		
808	769 30 30	N-pump kit CURVE:433	1	1		
808	769 30 31	N-pump kit CURVE: 434 "N-MT"	1	1		
808	769 30 32	N-pump kit CURVE:435	1	1		
808	769 30 33	N-pump kit CURVE: 436 "N-MT"	1	1		
808	769 30 34	N-pump kit CURVE:437	1	1		
808	769 30 35	N-pump kit CURVE: 451 "N-HT"	1	1		
808	769 30 36	N-pump kit CURVE:452	1	1		
808	769 30 37	N-pump kit CURVE: 453 "N-HT"	1	1		
808	769 30 38	N-pump kit CURVE:454	1	1		
808	769 30 39	N-pump kit CURVE: 455 "N-HT"	1	1		
808	769 30 40	N-pump kit CURVE:270	1	1		
808	769 30 41	N-pump kit CURVE: 272 "N-SH"	1	1		

Pos. No	Part. No	Denomination	Qty/Version			
			091	181	800	810
808	769 30 42	N-pump kit CURVE: 274 "N-SH"	1	1		
808	769 30 43	N-pump kit CURVE: 275 "N-SH"	1	1		
808	769 30 44	N-pump kit CURVE: 277 "N-SH"	1	1		
808	769 30 45	N-pump kit CURVE:278	1	1		
900	657 17 01	Basic repair kit	1	1	1	1
900	657 17 02	Basic repair kit	1	1	1	1
901	90 20 76	Monopropylene glycol	*	*	*	*

### 3171.095/185/820/830

Pos. No	Part. No	Denomination	Qty/Version			
			095	185	820	830
800	82 96 96	O-ring kit STANDARD	1	1	1	1
800	82 96 97	O-ring kit HOT WATER	1	1		
900	657 17 01	Basic repair kit	1	1	1	1
900	657 17 02	Basic repair kit	1	1	1	1
901	90 20 76	Monopropylene glycol	*	*	*	*

### 3171.660/670/860/870

Pos. No	Part. No	Denomination	Qty/Version			
			660	670	860	870
800	82 96 96	O-ring kit STANDARD	1	1	1	1
800	82 96 97	O-ring kit HOT WATER	1	1		
808	769 30 00	N-pump kit CURVE: 611 "N-LT"	1	1		
808	769 30 01	N-pump kit CURVE:612	1	1		
808	769 30 02	N-pump kit CURVE: 613 "N-LT"	1	1		
808	769 30 03	N-pump kit CURVE:614	1	1		
808	769 30 04	N-pump kit CURVE: 615 "N-LT"	1	1		
808	769 30 05	N-pump kit CURVE: 431 "N-MT"	1	1		
808	769 30 06	N-pump kit CURVE:432	1	1		
808	769 30 07	N-pump kit CURVE:433	1	1		
808	769 30 08	N-pump kit CURVE: 434 "N-MT"	1	1		
808	769 30 09	N-pump kit CURVE:435	1	1		
808	769 30 10	N-pump kit CURVE: 436 "N-MT"	1	1		
808	769 30 11	N-pump kit CURVE:437	1	1		
808	769 30 12	N-pump kit CURVE: 451 "N-HT"	1	1		
808	769 30 13	N-pump kit CURVE:452	1	1		
808	769 30 14	N-pump kit CURVE: 453 "N-HT"	1	1		
808	769 30 15	N-pump kit CURVE:454	1	1		
808	769 30 16	N-pump kit CURVE: 455 "N-HT"	1	1		
808	769 30 17	N-pump kit CURVE:270	1	1		
808	769 30 18	N-pump kit CURVE: 272 "N-SH"	1	1		
808	769 30 19	N-pump kit CURVE: 274 "N-SH"	1	1		
808	769 30 20	N-pump kit CURVE: 275 "N-SH"	1	1		



Pos. No	Part. No	Denomination	Qty/Version			
			660	670	860	870
808	769 30 21	N-pump kit CURVE: 277 "N-SH"	1	1		
808	769 30 22	N-pump kit CURVE:278	1	1		
808	769 30 28	N-pump kit CURVE: 431 "N-MT"	1	1		
808	769 30 29	N-pump kit CURVE:432	1	1		
808	769 30 30	N-pump kit CURVE:433	1	1		
808	769 30 31	N-pump kit CURVE: 434 "N-MT"	1	1		
808	769 30 32	N-pump kit CURVE:435	1	1		
808	769 30 33	N-pump kit CURVE: 436 "N-MT"	1	1		
808	769 30 34	N-pump kit CURVE:437	1	1		
808	769 30 35	N-pump kit CURVE: 451 "N-HT"	1	1		
808	769 30 36	N-pump kit CURVE:452	1	1		
808	769 30 37	N-pump kit CURVE: 453 "N-HT"	1	1		
808	769 30 38	N-pump kit CURVE:454	1	1		
808	769 30 39	N-pump kit CURVE: 455 "N-HT"	1	1		
808	769 30 40	N-pump kit CURVE:270	1	1		
808	769 30 41	N-pump kit CURVE: 272 "N-SH"	1	1		
808	769 30 42	N-pump kit CURVE: 274 "N-SH"	1	1		
808	769 30 43	N-pump kit CURVE: 275 "N-SH"	1	1		
808	769 30 44	N-pump kit CURVE: 277 "N-SH"	1	1		
808	769 30 45	N-pump kit CURVE:278	1	1		
900	657 17 01	Basic repair kit	1	1	1	1
900	657 17 02	Basic repair kit	1	1	1	1
900	769 30 00	N-pump kit CURVE: 611 "N-LT"			1	1
900	769 30 02	N-pump kit CURVE: 613 "N-LT"			1	1
900	769 30 04	N-pump kit CURVE: 615 "N-LT"			1	1
900	769 30 05	N-pump kit CURVE: 431 "N-MT"			1	1
900	769 30 08	N-pump kit CURVE: 434 "N-MT"			1	1
900	769 30 10	N-pump kit CURVE: 436 "N-MT"			1	1
900	769 30 12	N-pump kit CURVE: 451 "N-HT"			1	1
900	769 30 14	N-pump kit CURVE: 453 "N-HT"			1	1
900	769 30 16	N-pump kit CURVE: 455 "N-HT"			1	1
900	769 30 18	N-pump kit CURVE: 272 "N-SH"			1	1
900	769 30 19	N-pump kit CURVE: 274 "N-SH"			1	1
900	769 30 20	N-pump kit CURVE: 275 "N-SH"			1	1
900	769 30 21	N-pump kit CURVE: 277 "N-SH"			1	1
900	769 30 28	N-pump kit CURVE: 431 "N-MT"			1	1
900	769 30 31	N-pump kit CURVE: 434 "N-MT"			1	1
900	769 30 33	N-pump kit CURVE: 436 "N-MT"			1	1
900	769 30 35	N-pump kit CURVE: 451 "N-HT"			1	1
900	769 30 37	N-pump kit CURVE: 453 "N-HT"			1	1
900	769 30 39	N-pump kit CURVE: 455 "N-HT"			1	1
900	769 30 41	N-pump kit CURVE: 272 "N-SH"			1	1
900	769 30 42	N-pump kit CURVE: 274 "N-SH"			1	1
900	769 30 43	N-pump kit CURVE: 275 "N-SH"			1	1

Pos. No	Part. No	Denomination	Qty/Version			
			660	670	860	870
900	769 30 44	N-pump kit CURVE: 277 "N-SH"			1	1
901	90 20 76	Monopropylene glycol	*	*	*	*

### 3171.350/390/840/850

Pos. No	Part. No	Type	Denomination	Qty/Version			
				350	390	840	850
800	82 96 96		O-ring kit STANDARD	1	1	1	1
800	82 96 97		O-ring kit HOT WATER	1	1		
900	657 17 01		Basic repair kit	1	1	1	1
900	657 17 02		Basic repair kit	1	1	1	1
901	90 20 76		Monopropylene glycol	5	5	*	*