



Flygt 3153

Table of Contents

1 Introduction.....	2
1.1 Specially approved products.....	2
2 Product Description.....	3
2.1 The data plate.....	3
2.2 Approvals.....	4
2.3 Product denomination.....	5
3 Drive Unit.....	7
3.1 Standard and explosion-proof.....	7
3.2 3153.091/095/181/185.....	8
3.3 3153.800/810/820/830.....	16
3.4 3153.660/670/860/870.....	22
3.5 3153.350/390/840/850.....	30
4 Hydraulic Unit.....	40
4.1 F_ MT.....	40
4.2 F_ MT.....	41
4.3 F_ HT.....	42
4.4 F_ SH.....	43
4.5 F_ SH.....	44
4.6 N_ LT.....	45
4.7 N_ LT.....	46
4.8 N_ MT.....	47
4.9 N_ HT.....	48
4.10 N_ SH.....	49
4.11 3153.091/181/800/810.....	50
4.12 3153.095/185/820/830.....	55
4.13 3153.660/670/860/870.....	60
4.14 3153.350/390/840/850.....	62
5 Installation Components.....	66
5.1 FP/NP.....	66
5.2 FS/NS.....	67
5.3 FS/NS.....	68
5.4 FT/NT.....	69
5.5 FZ/NZ.....	70
5.6 3153.091/181/800/810.....	72
5.7 3153.095/185/820/830.....	73
5.8 3153.660/670/860/870.....	74
5.9 3153.350/390/840/850.....	75
6 Service Parts.....	77
6.1 3153.091/181/800/810.....	77
6.2 3153.095/185/820/830.....	79
6.3 3153.660/670/860/870.....	79
6.4 3153.350/390/840/850.....	79

1 Introduction

Purpose of this manual

The purpose of this manual is to provide necessary information on spare parts and accessories order.

Disclaimer

Always use genuine Flygt parts. The use of other spare parts or accessories can invalidate any claims for warranty or compensation. Xylem does not take any responsibility for damages that are caused by the use of non-original parts. For more information, contact your local sales and service representative.

Data for ordering spare parts

The following information is needed for spare part orders:

- Serial number of the product
- Part number
- Quantity of bulk material, see * in tables

1.1 Specially approved products

Qualification of personnel

Only Xylem or Xylem-authorized service personnel may undertake repair work on Ex-approved products.

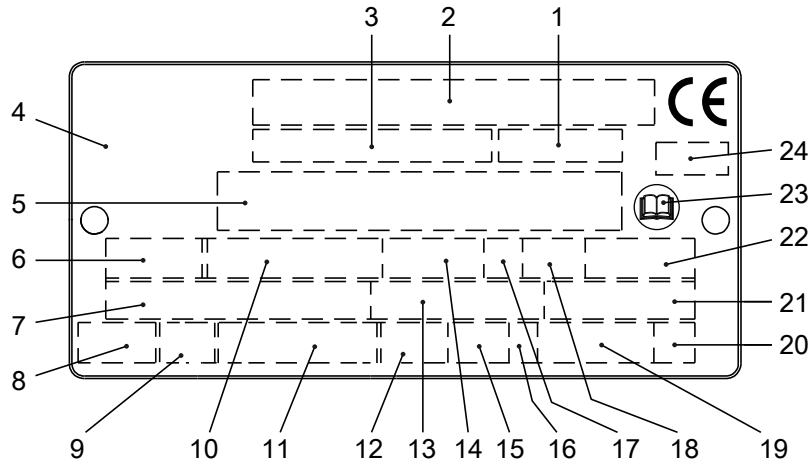
Dimensional accuracy inspection

Spare parts marked with (Ex) after the part number are subject to dimensional accuracy inspection.

2 Product Description

2.1 The data plate

The data plate is a metal label that is located on the main body of the products. The data plate lists key product specifications. Specially approved products also have an approval plate.






WIS006257A

1. Curve code or Propeller code
2. Serial number
3. Product number
4. Country of origin
5. Additional information
6. Phase; type of current; frequency
7. Rated voltage
8. Thermal protection
9. Thermal class
10. Rated shaft power
11. International standard
12. Degree of protection
13. Rated current
14. Rated speed
15. Maximum submergence
16. Direction of rotation: L=left, R=right
17. Duty class
18. Duty factor
19. Product weight
20. Locked rotor code letter
21. Power factor
22. Maximum ambient temperature
23. Read installation manual
24. Notified body, only for EN-approved Ex products

Figure 1: The data plate

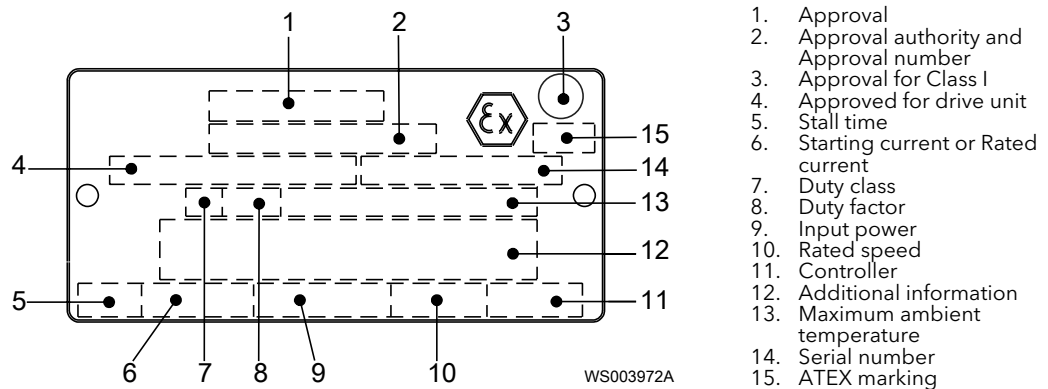
2.2 Approvals

Product approvals for hazardous locations

Pump	Approval
<ul style="list-style-type: none"> • 3153.091 • 3153.095 • 3153.390 • 3153.670 • 3153.810 • 3153.830 • 3153.850 • 3153.870 	European Norm (EN) <ul style="list-style-type: none"> • ATEX Directive • EN 60079-0:2009, EN 60079-1:2007, EN 13463-1:2009, EN 13463-5:2011 •  I M2 c Ex d I Mb •  II 2 G c Ex d IIB T3 Gb
	EN approval for cable entry: <ul style="list-style-type: none"> • Certificate number: INERIS 02ATEX9008 U •  II 2 G Ex d IIC Gb or I M2 Ex d I Mb
	IEC <ul style="list-style-type: none"> • IECEx scheme • IEC 60079-0, IEC 60079-1 • Ex d I • Ex d IIB T3
	FM (FM Approvals) <ul style="list-style-type: none"> • Explosionproof for use in Class I, Div. 1, Group C and D • Dust ignition proof for use in Class II, Div. 1, Group E, F and G • Suitable for use in Class III, Div. 1, Hazardous Locations

EN approval plate

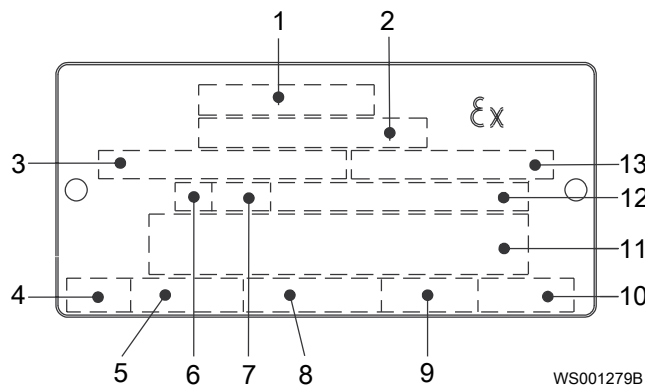
This illustration describes the EN approval plate and the information that is contained in its fields.



IEC approval plate

This illustration describes the IEC approval plate and the information that is contained in its fields.

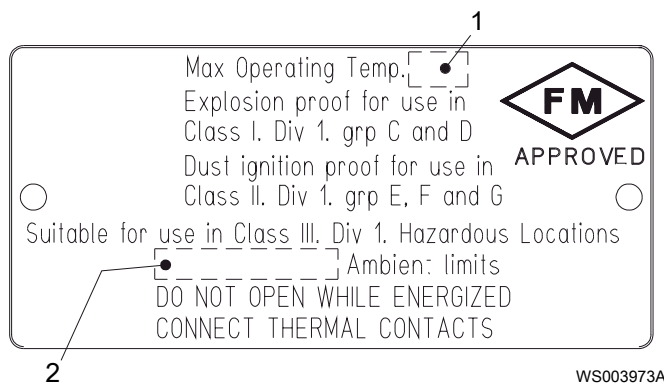
International Norm; not for EU member countries.



1. Approval
2. Approval authority and Approval number
3. Approved for drive unit
4. Stall time
5. Starting current or Rated current
6. Duty class
7. Duty factor
8. Input power
9. Rated speed
10. Controller
11. Additional information
12. Maximum ambient temperature
13. Serial number

FM approval plate

This illustration describes the FM approval plate and the information that is contained in its fields.



1. Temperature class
2. Maximum ambient temperature

2.3 Product denomination

Reading instruction

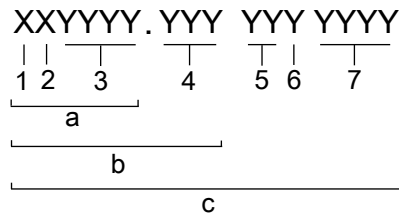
In this section, code characters are illustrated accordingly:

X = letter

Y = digit

The different types of codes are marked up with a, b and c. Code parameters are marked up with numbers.

Codes and parameters

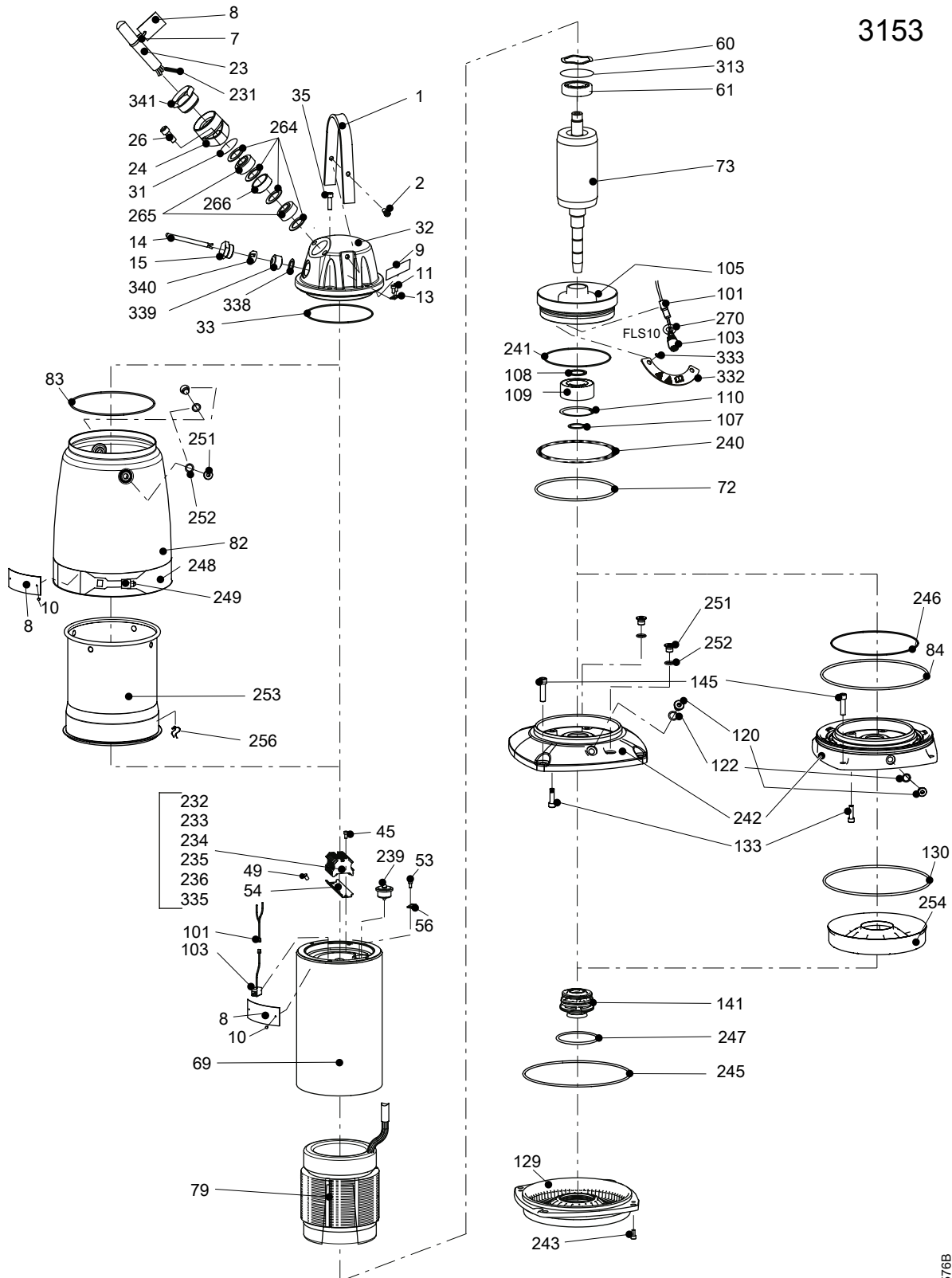


Type of Callout	Number	Indication
Type of code	a	Sales denomination
	b	Product code
	c	Serial number

Type of Callout	Number	Indication
Parameter	1	Hydraulic end
	2	Type of installation
	3	Sales code
	4	Version
	5	Production year
	6	Production cycle
	7	Running number

3 Drive Unit

3.1 Standard and explosion-proof



3.2 3153.091/095/181/185

Pos. No	Part. No	Type	Denomination	Qty/Version			
				091	095	181	185
1	642 15 00		Lifting handle	1	1	1	1
2	83 04 56		Hex.socket hd screw M10X35-A4-80	2	2	2	2
7	83 45 52		Cable tie 292X3.5 MM	1	1	1	1
7	83 45 59		Cable tie 200X2.4 PA 6/6 -55+105	1	1	1	1
8	630 68 00		Data plate USE 6306801 AS SPARE PART	2	2	2	2
8	630 69 00		Certificate plate EN	2	2		
8	630 70 00		Certificate plate FM	2	2		
8	630 69 01	(Ex)	Certificate plate IECEX	2	2		
8	630 76 00		Plate HOT WATER PRODUCT			1	1
9	773 29 00		Connection plate	1	1	1	1
9	83 93 50		Marking strip 5-GW(T1;T2;T15;T16)	1	1	1	1
9	81 65 46		Marking plate	1	1	1	1
9	83 93 51		Marking strip W5;V5;U5;V2;W1;U2;V1;W2;U	1	1	1	1
10	82 20 88		Drive screw 4X5-A2/A4	4	4	4	4
10	82 20 88		Drive screw 4X5-A2/A4	2	2		
11	82 00 11		Hex.socket hd screw M6X12-A2-70	2	2		
13	642 16 00		Earthing plate	1	1		
14	94 19 22		Control cable subcab 7X1,5 OD=15-17 MM	*	*	*	*
14	94 19 30		Control cable s-flex 25X1.5 OD=19.4-21.4 MM	Optional	1	1	1
15	397 81 00		Gland screw FOR CABLE ENTRY	1	1	1	1
23	94 20 59		Motor cable subcab	SUBCAB 4G2,5+2x1,5	*	*	*
23	94 20 60		Motor cable subcab	SUBCAB 4G4+2x1,5	*	*	*
23	94 20 56		Motor cable subcab	SUBCAB 4G6+2x1,5	*	*	*
23	94 19 81		Motor cable subcab	SUBCAB 4G10+S(2x0,5)	*	*	*
23	94 20 82		Motor cable subcab	SUBCAB 7G2,5+2x1,5	*	*	*
23	94 20 80		Motor cable subcab	SUBCAB 7G4+2x1,5	*	*	*
23	94 19 80		Motor cable subcab	SUBCAB 7G6+S(2x0,5)	*	*	*
23	94 19 82		Motor cable subcab	SUBCAB 4G16+S(2x0,5)	*	*	*
23	94 19 83		Motor cable subcab 4G25+S(2X0.5)	*	*	*	*
23	94 19 90		Motor cable subcab	SUBCAB S3x2,5+3x2,5/3+S(4x0,5)	*	*	*
23	94 19 91		Motor cable subcab	SUBCAB S3x6+3x6/3+S(4x0,5)	*	*	*
23	94 19 93		Motor cable subcab	SUBCAB S3x16+3x16/3+S(4x0,5)	*	*	*
24	642 17 01	(Ex)	Entrance flange	1	1	1	1
24	597 87 01	(Ex)	Entrance flange ISO G1 1/4	1	1	1	1
24	597 87 04	(Ex)	Entrance flange ISO 228/1-G2	1	1	1	1
24	597 87 11	(Ex)	Entrance flange 1 1/2-11.5 NPT	1	1	1	1
24	597 87 08	(Ex)	Entrance flange 2-11.5 NPT	1	1	1	1
26	83 04 53		Hex.socket hd screw M12X45-A4-80	2	2	2	2
31	82 74 63		O-ring 49.5X3 NBR	1	1	1	1
31	82 81 03		O-ring 49.5X3 FPM	1	1	1	1

Pos. No	Part. No	Type	Denomination	Qty/Version			
				091	095	181	185
32	642 14 01	(Ex)	Entrance cover	1	1		
32	642 14 05	(Ex)	Entrance cover Cable entry auxiliary cable	1	1		
32	642 14 00		Entrance cover			1	1
32	642 14 04		Entrance cover Cable entry auxiliary cable			1	1
33	82 78 35		O-ring 175X3 NBR	1	1	1	1
33	82 71 33		O-ring 175X3 FPM	1	1	1	1
35	83 04 56		Hex.socket hd screw M10X35-A4-80	4	4	4	4
45	82 00 11		Hex.socket hd screw M6X12-A2-70	2	2	2	2
49	83 42 48		End sleeve H16/24	3	3	3	3
49	83 42 49		End sleeve H25/30	3	3	3	3
51	83 42 62		Closed-end splice 0.33-0.82(AWG 22-18) L=18	2	2	2	2
53	82 00 11		Hex.socket hd screw M6X12-A2-70	2	2	2	2
54	642 08 00		Rail	1	1	1	1
56	642 16 00		Earthing plate	1	1	1	1
60	82 56 25		Spring washer 71.5X59X0.55 MM	1	1	1	1
61	83 30 16		Ball bearing 30X72X30.2 MM	1	1	1	1
69	642 09 01	(Ex)	Stator housing	1	1		
69	642 09 00		Stator housing			1	1
72	82 74 94		O-ring 209.3X5.7 NBR	1	1	1	1
72	82 80 83		O-ring 209.3X5.7 FPM	1	1	1	1
73	641 91 03		Shaft unit 21-18-2	1	1	1	1
73	641 98 05	(Ex)	Shaft unit 21-15-4	1	1	1	1
73	641 98 06	(Ex)	Shaft unit 21-18-4	1	1	1	1
73	648 61 01	(Ex)	Shaft unit 21-18-6	1	1	1	1
79	702 44 01		Stator 21-18-2f 50 Hz 2-poles 380V-400V D 660V-690V Y P2=11kW 60 Hz 2-poles 440V-460V D P2=12,70kW/17hp	1	1	1	1
79	702 44 02		Stator 21-18-2f 50 Hz 2-poles 220V-230V D 400V Y P2=11kW	1	1	1	1
79	702 44 08		Stator 21-18-2f 60 Hz 2-poles 200V-208V D P2=12,70kW/17hp	1	1	1	1
79	702 44 04		Stator 21-18-2f 60 Hz 2-poles 440V-460V YSER 220V-230V Y// P2=12,70kW/17hp	1	1	1	1
79	702 44 03		Stator 21-18-2f 50 Hz 2-poles 500V D P2=11kW 60 Hz 2-poles 575V-600V D P2=12,70kW/17hp	1	1	1	1
79	702 44 07		Stator 21-18-2f 50 Hz 2-poles 415V-440V D P2=11kW	1	1	1	1
79	661 39 01		Stator 21-18-2b 50 Hz 2-poles 400V-440V D 690V Y P2=15kW 60 Hz 2-poles 460V-480V D P1=16,40KW 50 Hz 2-poles 400V-440V D 690V Y P1=15,50KW 60 Hz 2-poles 460V-480V D P2=17,20kW/23hp	1	1	1	1

Pos. No	Part. No	Type	Denomination	Qty/Version			
				091	095	181	185
79	661 39 02		Stator 21-18-2b 50 Hz 2-poles 400V Y 230V D P2=15kW	1	1	1	1
79	661 39 08		Stator 21-18-2b 50 Hz 2-poles 400V Y 230V D P1=15,40KW 60 Hz 2-poles 200V-208V D P1=16,40KW	1	1	1	1
79	661 39 04		Stator 21-18-2b 60 Hz 2-poles 200V-208V D P2=17,20kW/23hp 60 Hz 2-poles 440V-460V YSER 220V-230V Y// P1=16,40KW	1	1	1	1
79	661 39 03		Stator 21-18-2b 60 Hz 2-poles 440V-460V YSER 220V-230V Y// P2=17,20kW/23hp 50 Hz 2-poles 500V D P2=15kW 60 Hz 2-poles 575V-600V D P1=16,40KW	1	1	1	1
79	661 39 07		Stator 21-18-2b 50 Hz 2-poles 500V D P1=15,50KW 60 Hz 2-poles 575V-600V D P2=17,20kW/23hp 50 Hz 2-poles 660V Y 380V D P2=15kW 60 Hz 2-poles 440V D P1=16,40KW	1	1	1	1
79	641 94 01		Stator 21-15-4a 50 Hz 2-poles 660V Y 380V D P1=15,40KW 60 Hz 2-poles 440V D P2=17,20kW/ 23hp 50 Hz 4-poles 690V Y 400V D P2=7,50kW 60 Hz 4-poles 460V D P1=9,40KW	1	1	1	1
79	641 94 02		Stator 21-15-4a 50 Hz 4-poles 690V Y 400V D P1=7,90KW 60 Hz 4-poles 460V D P2=8,90kW/ 12hp 50 Hz 4-poles 690V Y 400V D P2=9kW 60 Hz 4-poles 460V-480V D P1=11KW 50 Hz 4-poles 690V Y 400V D P1=9,30KW 60 Hz 4-poles 460V-480V D P2=11,20kW/15hp 50 Hz 4-poles 400V Y 230V D P2=9kW 50 Hz 4-poles 400V Y 230V D P1=9,30KW 50 Hz 4-poles 400V Y 230V D P2=7,50kW 50 Hz 4-poles 400V Y 230V D P1=7,90KW	1	1	1	1

Pos. No	Part. No	Type	Denomination	Qty/Version			
				091	095	181	185
79	641 94 03		Stator 21-15-4a 50 Hz 4-poles 415V-440V D P2=7,50kW 50 Hz 4-poles 415V-440V D Max P1=8KW 50 Hz 4-poles 415V-440V D P2=9kW 50 Hz 4-poles 415V-440V D Max P1=9,50KW	1	1	1	1
79	641 94 04		Stator 21-15-4a 60 Hz 4-poles 200V-208V D P1=9,40KW 60 Hz 4-poles 200V-208V D P2=8,90kW/12hp 60 Hz 4-poles 200V-208V D P1=11KW 60 Hz 4-poles 200V-208V D P2=11,20kW/15hp	1	1	1	1
79	641 94 05		Stator 21-15-4a 60 Hz 4-poles 460V YSER 230V Y// P1=9,40KW 60 Hz 4-poles 460V YSER 230V Y// P2=8,90kW/12hp 60 Hz 4-poles 460V YSER 230V Y// P1=11KW 60 Hz 4-poles 460V YSER 230V Y// P2=11,20kW/15hp	1	1	1	1
79	641 94 06		Stator 21-15-4a 60 Hz 4-poles 380V D P1=9,40KW 60 Hz 4-poles 380V D P2=8,90kW/ 12hp 60 Hz 4-poles 380V D P1=11KW 60 Hz 4-poles 380V D P2=11,20kW/ 15hp	1	1	1	1
79	641 94 07		Stator 21-15-4a 60 Hz 4-poles 220V D 380V Y P1=9,40KW 60 Hz 4-poles 220V D 380V Y P2=8,90kW/12hp 60 Hz 4-poles 380V Y P1=11KW 60 Hz 4-poles 380V Y P2=11,20kW/ 15hp	1	1	1	1
79	641 94 08		Stator 21-15-4a 50 Hz 4-poles 500V D P2=7,50kW 60 Hz 4-poles 575V-600V D P1=9,40KW 50 Hz 4-poles 500V D P1=7,90KW 60 Hz 4-poles 575V-600V D P2=8,90kW/12hp 50 Hz 4-poles 500V D P2=9kW 60 Hz 4-poles 575V-600V D P1=11KW 50 Hz 4-poles 500V D P1=9,30KW 60 Hz 4-poles 575V-600V D P2=11,20kW/15hp	1	1	1	1

Pos. No	Part. No	Type	Denomination	Qty/Version			
				091	095	181	185
79	641 94 09		Stator 21-15-4a 50 Hz 4-poles 660V Y 380V D P2=7,50kW 60 Hz 4-poles 440V D P1=9,40KW 50 Hz 4-poles 660V Y 380V D P1=8KW 60 Hz 4-poles 440V D P2=8,90kW/12hp 50 Hz 4-poles 660V Y 380V D P2=9kW 60 Hz 4-poles 440V D P1=11KW 50 Hz 4-poles 660V Y 380V D P1=9,40KW 60 Hz 4-poles 440V D P2=11,20kW/15hp	1	1	1	1
79	641 93 01		Stator 21-18-4a 50 Hz 4-poles 690V Y 400V D P2=13,50kW 60 Hz 4-poles 460V-480V D P1=14,40KW 50 Hz 4-poles 690V Y 400V D P1=12,60KW 60 Hz 4-poles 460V-480V D P2=14,90kW/20hp	1	1	1	1
79	641 93 02		Stator 21-18-4a 50 Hz 4-poles 400V Y 230V D P2=13,50kW 50 Hz 4-poles 400V Y 230V D P1=12,50KW	1	1	1	1
79	641 93 03		Stator 21-18-4a 50 Hz 4-poles 415V-440V D P2=13,50kW 50 Hz 4-poles 415V-440V D P1=12,60KW	1	1	1	1
79	641 93 04		Stator 21-18-4a 60 Hz 4-poles 200V-208V D P1=14,30KW 60 Hz 4-poles 200V-208V D P2=14,90kW/20hp	1	1	1	1
79	641 93 05		Stator 21-18-4a 60 Hz 4-poles 460V YSER 230V Y// P1=14,30KW 60 Hz 4-poles 460V YSER 230V Y// P2=14,90kW/20hp	1	1	1	1
79	641 93 06		Stator 21-18-4a 60 Hz 4-poles 380V D P1=14,30KW 60 Hz 4-poles 380V D P2=14,90kW/20hp	1	1	1	1
79	641 93 07		Stator 21-18-4a 60 Hz 4-poles 380V Y P1=14,30KW 60 Hz 4-poles 380V Y P2=14,90kW/20hp	1	1	1	1
79	641 93 08		Stator 21-18-4a 50 Hz 4-poles 500V D P2=13,50kW 60 Hz 4-poles 575V-600V D P1=14,40KW 50 Hz 4-poles 500V D P1=12,60KW 60 Hz 4-poles 575V-600V D P2=14,90kW/20hp	1	1	1	1

Pos. No	Part. No	Type	Denomination	Qty/Version			
				091	095	181	185
79	641 93 09		Stator 21-18-4a 50 Hz 4-poles 660V Y 380V D P2=13,50kW 60 Hz 4-poles 440V D P1=14,30KW 50 Hz 4-poles 660V Y 380V D P1=12,60KW 60 Hz 4-poles 440V D P2=14,90kW/ 20hp	1	1	1	1
79	647 27 01		Stator 21-18-6 50 Hz 6-poles 690V Y 400V D P2=9kW 60 Hz 6-poles 460V D P1=12,80KW 50 Hz 6-poles 690V Y 400V D P1=10,50KW 60 Hz 6-poles 460V D P2=11,20kW/ 15hp	1	1	1	1
79	647 27 02		Stator 21-18-6 50 Hz 6-poles 400V Y 230V D P2=9kW 50 Hz 6-poles 400V Y 230V D P1=10,50KW	1	1	1	1
79	647 27 03		Stator 21-18-6 50 Hz 6-poles 415V-440V D P2=9kW 50 Hz 6-poles 415V-440V D P1=10,50KW	1	1	1	1
79	647 27 04		Stator 21-18-6 60 Hz 6-poles 200V-208V D P1=12,70KW 60 Hz 6-poles 200V-208V D P2=11,20kW/15hp	1	1	1	1
79	647 27 05		Stator 21-18-6 60 Hz 6-poles 460V YSER 230V Y// P1=12,70KW 60 Hz 6-poles 460V YSER 230V Y// P2=11,20kW/15hp	1	1	1	1
79	647 27 06		Stator 21-18-6 60 Hz 6-poles 380V D P1=12,70KW 60 Hz 6-poles 380V D P2=11,20kW/ 15hp	1	1	1	1
79	647 27 07		Stator 21-18-6 60 Hz 6-poles 380V Y P1=12,70KW 60 Hz 6-poles 380V Y P2=11,20kW/ 15hp	1	1	1	1
79	647 27 08		Stator 21-18-6 50 Hz 6-poles 500V D P2=9kW 60 Hz 6-poles 575V-600V D P1=12,70KW 50 Hz 6-poles 500V D P1=10,50KW 60 Hz 6-poles 575V-600V D P2=11,20kW/15hp	1	1	1	1
79	647 27 09		Stator 21-18-6 50 Hz 6-poles 660V Y 380V D P2=9kW 60 Hz 6-poles 440V D P1=12,70KW 50 Hz 6-poles 660V Y 380V D P1=10,50KW 60 Hz 6-poles 440V D P2=11,20kW/ 15hp	1	1	1	1

Pos. No	Part. No	Type	Denomination	Qty/Version			
				091	095	181	185
79	654 96 03		Stator 21-15-4a 50 Hz 4-poles 415V-440V D P2=7,50kW 50 Hz 4-poles 415V-440V D Max P1=8KW 50 Hz 4-poles 415V-440V D P2=9kW Thermistor 50 Hz 4-poles 415V-440V D Max P1=9,50KW Thermistor			1	1
79	654 95 03		Stator 21-18-4a 50 Hz 4-poles 415V-440V D P2=13,50kW Thermistor 50 Hz 4-poles 415V-440V D P1=12,60KW Thermistor			1	1
79	659 48 03		Stator 21-18-6 50 Hz 6-poles 415V-440V D P2=9kW Thermistor 50 Hz 6-poles 415V-440V D P1=10,50KW Thermistor			1	1
79	702 45 07		Stator 21-18-2f 50 Hz 2-poles 415V-440V D P2=11kW Thermistor			1	1
79	689 07 01		Stator 21-18-2b 50 Hz 2-poles 400V-440V D 690V Y P2=15kW Thermistor 50 Hz 2-poles 400V-440V D 690V Y P1=15,50KW Thermistor			1	1
82	608 12 00		Cooling jacket OUTER Material:Steel	1	1	1	1
82	608 12 01		Cooling jacket OUTER Material:stainless steel (ASTM 316L)	1	1	1	1
83	82 78 49		O-ring 221.84X3.53 NBR	1	1	1	1
83	82 71 70		O-ring 221.84X3.53 FPM	1	1	1	1
84	82 75 01		O-ring 279.3X5.7 NBR	1	1	1	1
84	82 75 22		O-ring 279.3X5.7 FPM	1	1	1	1
101	650 51 00		Cable unit FLS10	1	1	1	1
103	663 04 00	(Ex)	Level sensor FLS10	1	1		
103	791 99 00		Level sensor			1	1
105	642 10 01	(Ex)	Bearing holder	1	1		
105	642 10 00		Bearing holder			1	1
107	82 59 06		Retaining ring SGA 40	1	1	1	1
108	82 44 15		Supporting washer 40X50X2.5	1	1	1	1
109	83 30 18		Ball bearing 40X90X36.5 MM	1	1	1	1
110	83 07 62		Retaining ring JB 90	1	1	1	1
120	642 13 00		Plug	1	1	1	1
122	82 76 85		O-ring 17X3 NBR	1	1	1	1
122	82 79 15		O-ring 17X3 FPM	1	1	1	1
129	642 12 00		Seal housing cover	1	1	1	1
130	82 78 39		O-ring 230X3 NBR	1	1	1	1
133	83 04 56		Hex.socket hd screw M10X35-A4-80	6	6	6	6
141	770 85 30		Mechanical seal WCCR/WCCR	1	1	1	1
141	770 85 31		Mechanical seal WCCR/RSiC	1	1	1	1
145	83 04 53		Hex.socket hd screw M12X45-A4-80	4	4	4	4
153	681 28 00		Insert ring	1	1	1	1

Pos. No	Part. No	Type	Denomination	Qty/Version			
				091	095	181	185
229	667 40 01		Sticker	2	2	2	2
231	93 00 77		Shrink hose ID=6.4 MM	*	*	*	*
231	93 00 78		Shrink hose ID=9.5 MM	*	*	*	*
232	83 53 58		Terminal clamp WDU6/10	3	3	3	3
232	83 53 58		Terminal clamp WDU6/10			4	4
233	83 53 61		Terminal clamp WDU16,1000V	6	6	6	6
233	83 53 17		Terminal clamp WDU35/IK/ZA	6	6	6	6
233	83 53 61		Terminal clamp WDU16,1000V	8	8	8	8
234	83 53 67		Cross connection WQV16/2	3	3	3	3
234	650 20 02		Cross connection WQV16/10	1	1	1	1
234	83 53 49		Cross connection WQW35/2	3	3	3	3
234	650 20 03		Cross connection WQV35/10	1	1	1	1
234	83 53 67		Cross connection WQV16/2	4	4	4	4
235	83 53 54		End support WEW 35/2	2	2	2	2
236	83 53 50		Partition	1	1	1	1
239	734 59 00		El.lead through unit	1	1	1	1
			Terminal board motor cable: 16mm2 Max current range : 76 A Sealed stator housing Stator leads = 1,50 - 2,50 mm2 For 9 leads stator Terminal board motor cable: 16mm2 Max current range : 76 A Sealed stator housing				
239	441 46 00		El.lead through unit	1	1	1	1
			Terminal board motor cable: 35mm2 Max current range : 125 A Sealed stator housing Stator leads = 4 - 6 mm2				
240	607 48 00		Spring	1	1	1	1
241	82 78 35		O-ring 175X3 NBR	1	1	1	1
241	82 71 33		O-ring 175X3 FPM	1	1	1	1
242	642 11 01	(Ex)	Adapter	1	1		
242	608 22 11	(Ex)	Adapter	1	1		
			Cooling jacket				
242	642 11 00		Adapter			1	1
242	608 22 10		Adapter			1	1
			Cooling jacket				
243	83 02 97		Hex.socket hd screw M8X16-A4-70	2	2	2	2
245	82 75 01		O-ring 279.3X5.7 NBR	1	1	1	1
245	82 75 22		O-ring 279.3X5.7 FPM	1	1	1	1
246	82 78 39		O-ring 230X3 NBR	1	1	1	1
247	82 95 69		O-ring 84.4X4 FPM	1	1	1	1
248	608 27 00		Strip	1	1	1	1
249	82 32 50		Clip	1	1	1	1
251	642 13 00		Plug	2	2	2	2
252	82 76 85		O-ring 17X3 NBR	2	2	2	2
252	82 79 15		O-ring 17X3 FPM	2	2	2	2
253	608 13 01		Cooling jacket	1	1	1	1
254	608 14 01		Flow diffuser	1	1	1	1
256	608 42 00		Wire bow	4	4	4	4

Pos. No	Part. No	Type	Denomination	Qty/Version			
				091	095	181	185
264	82 40 81		Plain washer (30)-32 MM	4	4	4	4
264	82 40 82		Plain washer (32)-34 MM	4	4	4	4
264	82 40 69		Plain washer (33)-35 MM	4	4	4	4
265	84 18 00		Seal sleeve (14)-17 MM	2	2	2	2
265	84 18 02		Seal sleeve (20)-23 MM	2	2	2	2
265	84 18 03		Seal sleeve (23)-26 MM	2	2	2	2
265	84 18 04		Seal sleeve (26)-29 MM	2	2	2	2
265	84 18 06		Seal sleeve (32)-35 MM	2	2	2	2
265	84 18 01		Seal sleeve (17)-20 MM	2	2	2	2
265	84 18 05		Seal sleeve (29)-32 MM	2	2	2	2
266	597 98 02		Sleeve	1	1	1	1
270	608 31 00		Lock washer	1	1		
313	82 71 72		O-ring 71.2X3 FPM	1	1	1	1
335	83 53 77		Terminal clamp WPE 2,5 WS	1	1	1	1
336	83 42 36		End sleeve 0.75 MM2; L=6 MM	2	2	2	2
337	94 03 34		Shrink hose	*	*	*	*
338	82 40 61		Plain washer (10)-22 MM	1	1	1	1
339	84 17 90		Seal sleeve (10)-12 MM	1	1	1	1
339	84 17 92		Seal sleeve (14)-16 MM	1	1	1	1
340	678 58 12		Cable clip (10)-12 MM	1	1	1	1
340	678 58 16		Cable clip (14)-16 MM	1	1	1	1
341	633 11 01		Gland screw 1 1/4" ISO.FOR METAL HOSE	1	1	1	1
341	633 11 04		Gland screw 1 1/2" NPT.FOR METAL HOSE	1	1	1	1
912	82 76 85		O-ring 17X3 NBR	3	3	3	3
912	82 79 15		O-ring 17X3 FPM	3	3	3	3

3.3 3153.800/810/820/830

Pos. No	Part. No	Type	Denomination	Qty/Version			
				800	810	820	830
1	642 15 00		Lifting handle	1	1	1	1
2	83 04 56		Hex.socket hd screw M10X35-A4-80	2	2	2	2
7	83 45 52		Cable tie 292X3.5 MM	1	1	1	1
7	83 45 59		Cable tie 200X2.4 PA 6/6 -55+105	1	1	1	1
8	630 68 00		Data plate USE 6306801 AS SPARE PART	2	2	2	2
8	630 69 00		Certificate plate EN		2		2
8	630 70 00		Certificate plate FM		2		2
8	630 69 01	(Ex)	Certificate plate IECEX		2		2
9	773 29 00		Connection plate	1	1	1	1
9	83 93 50		Marking strip 5-GW(T1;T2;T15;T16)	1	1	1	1
9	83 93 50		Marking strip 5-GW(T1;T2;T15;T16)	1		1	
9	81 65 46		Marking plate	1	1	1	1

Pos. No	Part. No	Type	Denomination	Qty/Version			
				800	810	820	830
9	83 93 51		Marking strip W5;V5;U5;V2;W1;U2;V1;W2;U	1	1	1	1
10	82 20 88		Drive screw 4X5-A2/A4	4	4	4	4
10	82 20 88		Drive screw 4X5-A2/A4		2		2
11	82 00 11		Hex.socket hd screw M6X12-A2-70		2		2
13	642 16 00		Earthing plate		1		1
14	94 19 22		Control cable subcab 7X1,5 OD=15-17 MM	*	*	*	*
14	94 19 30		Control cable s-flex 25X1.5 OD=19.4-21.4 MM	Optional	1	1	1
15	397 81 00		Gland screw FOR CABLE ENTRY	1	1	1	1
15	397 81 00		Gland screw FOR CABLE ENTRY	1		1	
23	94 20 59		Motor cable subcab	SUBCAB 4G2,5+2x1,5	*	*	*
23	94 20 60		Motor cable subcab	SUBCAB 4G4+2x1,5	*	*	*
23	94 20 56		Motor cable subcab	SUBCAB 4G6+2x1,5	*	*	*
23	94 19 81		Motor cable subcab	SUBCAB 4G10+S(2x0,5)	*	*	*
23	94 20 82		Motor cable subcab	SUBCAB 7G2,5+2x1,5	*	*	*
23	94 20 80		Motor cable subcab	SUBCAB 7G4+2x1,5	*	*	*
23	94 19 80		Motor cable subcab	SUBCAB 7G6+S(2x0,5)	*	*	*
23	94 19 82		Motor cable subcab	SUBCAB 4G16+S(2x0,5)	*	*	*
23	94 19 83		Motor cable subcab 4G25+S(2X0.5)		*	*	*
23	94 19 90		Motor cable subcab	SUBCAB S3x2,5+3x2,5/3+S(4x0,5)	*	*	*
23	94 19 91		Motor cable subcab	SUBCAB S3x6+3x6/3+S(4x0,5)	*	*	*
23	94 19 93		Motor cable subcab	SUBCAB S3x16+3x16/3+S(4x0,5)	*	*	*
24	642 17 01	(Ex)	Entrance flange	1	1	1	1
24	597 87 01	(Ex)	Entrance flange ISO G1 1/4	1	1	1	1
24	597 87 04	(Ex)	Entrance flange ISO 228/1-G2	1	1	1	1
24	597 87 11	(Ex)	Entrance flange 1 1/2-11.5 NPT	1	1	1	1
24	597 87 08	(Ex)	Entrance flange 2-11.5 NPT	1	1	1	1
26	83 04 53		Hex.socket hd screw M12X45-A4-80	2	2	2	2
31	82 74 63		O-ring 49.5X3 NBR	1	1	1	1
31	82 81 03		O-ring 49.5X3 FPM	1	1	1	1
32	642 14 00		Entrance cover	1		1	
32	642 14 04		Entrance cover			1	
32	642 14 01	(Ex)	Entrance cover		1		1
32	642 14 05	(Ex)	Entrance cover		1		1
33	82 78 35		O-ring 175X3 NBR	1	1	1	1
33	82 71 33		O-ring 175X3 FPM	1	1	1	1
35	83 04 56		Hex.socket hd screw M10X35-A4-80	4	4	4	4
45	82 00 11		Hex.socket hd screw M6X12-A2-70	2	2	2	2
45	82 00 11		Hex.socket hd screw M6X12-A2-70	2		2	
49	83 42 48		End sleeve H16/24	3	3	3	3
49	83 42 49		End sleeve H25/30	3	3	3	3
51	83 42 62		Closed-end splice 0.33-0.82(AWG 22-18) L=18	2	2	2	2

Pos. No	Part. No	Type	Denomination	Qty/Version				
				800	810	820	830	
53	82 00 11		Hex.socket hd screw M6X12-A2-70	2	2	2	2	
54	642 08 00		Rail	1	1	1	1	
54	642 08 00		Rail	1		1		
56	642 16 00		Earthing plate	1	1	1	1	
60	82 56 25		Spring washer 71.5X59X0.55 MM	1	1	1	1	
61	83 30 16		Ball bearing 30X72X30.2 MM	1	1	1	1	
69	642 09 00		Stator housing	1		1		
69	642 09 01	(Ex)	Stator housing		1		1	
72	82 74 94		O-ring 209.3X5.7 NBR	1	1	1	1	
72	82 80 83		O-ring 209.3X5.7 FPM	1	1	1	1	
73	641 91 03		Shaft unit	21-18-2	1	1	1	
73	751 63 01		Shaft unit	21-15-4	1	1	1	
73	751 63 00	(Ex)	Shaft unit	21-18-4	1	1	1	
73	751 63 01		Shaft unit	21-15-4	1		1	
73	751 63 00	(Ex)	Shaft unit	21-18-4	1		1	
73	641 91 03		Shaft unit	21-18-2	1		1	
79	793 29 01		Stator 21-18-2k	50 Hz 2-poles 380V-400V D 660V-690V Y P2=11kW 60 Hz 2-poles 440V-480V D P2=12,70kW/17hp	1	1	1	1
79	793 29 02		Stator 21-18-2k	50 Hz 2-poles 220V-230V D 400V Y P2=11kW	1	1	1	1
79	793 29 08		Stator 21-18-2k	60 Hz 2-poles 200V-208V D P2=12,70kW/17hp	1	1	1	1
79	793 29 04		Stator 21-18-2k	60 Hz 2-poles 220V-230V Y// 440V-460V YSER P2=12,70kW/ 17hp	1	1	1	1
79	793 29 03		Stator 21-18-2k	50 Hz 2-poles 500V D P2=11kW 60 Hz 2-poles 575V-600V D P2=12,70kW/17hp	1	1	1	1
79	793 29 07		Stator 21-18-2k	50 Hz 2-poles 415V-440V D P2=11kW	1	1	1	1
79	793 29 09		Stator 21-18-2k	60 Hz 2-poles 380V D P2=12,70kW/ 17hp	1	1	1	1
79	793 27 01		Stator 21-18-2i	50 Hz 2-poles 400V-415V D 690V Y P2=14kW 60 Hz 2-poles 440V-480V D P2=17,20kW/23hp	1	1	1	1
79	793 27 02		Stator 21-18-2i	50 Hz 2-poles 230V D 400V Y P2=14kW	1	1	1	1
79	793 27 08		Stator 21-18-2i	60 Hz 2-poles 200V-208V D P2=17,20kW/23hp	1	1	1	1
79	793 27 04		Stator 21-18-2i	60 Hz 2-poles 220V-230V Y// 440V-460V YSER P2=17,20kW/ 23hp	1	1	1	1
79	793 27 03		Stator 21-18-2i	50 Hz 2-poles 500V D P2=14kW 60 Hz 2-poles 575V-600V D P2=17,20kW/23hp	1	1	1	1
79	793 27 07		Stator 21-18-2i	50 Hz 2-poles 380V D P2=14kW	1	1	1	1

Pos. No	Part. No	Type	Denomination	Qty/Version			
				800	810	820	830
79	793 27 10		Stator 21-18-2i 60 Hz 2-poles 380V-400V D P2=17,20kW/23hp	1	1	1	1
79	641 94 01		Stator 21-15-4a 50 Hz 4-poles 400V D 690V Y P2=10kW 60 Hz 4-poles 460V-480V D P2=10,40kW/14hp 50 Hz 4-poles 400V D 690V Y P2=8,50kW	1	1	1	1
79	641 94 02		Stator 21-15-4a 50 Hz 4-poles 230V D 400V Y P2=10kW 50 Hz 4-poles 230V D 400V Y P2=8,50kW	1	1	1	1
79	641 94 03		Stator 21-15-4a 50 Hz 4-poles 415V-440V D P2=10kW 50 Hz 4-poles 415V-440V D P2=8,50kW	1	1	1	1
79	641 94 08		Stator 21-15-4a 50 Hz 4-poles 500V D P2=8,50kW 50 Hz 4-poles 500V D P2=10kW 60 Hz 4-poles 575V-600V D P2=10,40kW/14hp	1	1	1	1
79	641 94 09		Stator 21-15-4a 50 Hz 4-poles 380V D 660V Y P2=8,50kW 50 Hz 4-poles 380V D 660V Y P2=10kW 60 Hz 4-poles 440V D P2=10,40kW/ 14hp	1	1	1	1
79	641 94 04		Stator 21-15-4a 60 Hz 4-poles 200V-208V D P2=10,40kW/14hp	1	1	1	1
79	641 94 05		Stator 21-15-4a 60 Hz 4-poles 220V-230V Y// 440V-460V YSER P2=10,40kW/ 14hp	1	1	1	1
79	641 94 06		Stator 21-15-4a 60 Hz 4-poles 380V D 660V Y P2=10,40kW/14hp	1	1	1	1
79	641 94 07		Stator 21-15-4a 60 Hz 4-poles 220V D 380V Y P2=10,40kW/14hp	1	1	1	1
79	751 64 01	(Ex)	Stator 21-18-4x 50 Hz 4-poles 400V D 690V Y P2=12,50kW 60 Hz 4-poles 460V-480V D P2=12,70kW/17hp	1	1	1	1
79	751 64 02	(Ex)	Stator 21-18-4x 50 Hz 4-poles 230V D 400V Y P2=12,50kW	1	1	1	1
79	751 64 03	(Ex)	Stator 21-18-4x 50 Hz 4-poles 415V-440V D P2=12,50kW	1	1	1	1
79	751 64 04	(Ex)	Stator 21-18-4x 60 Hz 4-poles 200V-208V D P2=12,70kW/17hp	1	1	1	1
79	751 64 05	(Ex)	Stator 21-18-4x 60 Hz 4-poles 220V-230V Y// 440V-460V YSER P2=12,70kW/ 17hp	1	1	1	1
79	751 64 06	(Ex)	Stator 21-18-4x 60 Hz 4-poles 380V D P2=12,70kW/ 17hp	1	1	1	1
79	751 64 07	(Ex)	Stator 21-18-4x 60 Hz 4-poles 220V D 380V Y P2=12,70kW/17hp	1	1	1	1

Pos. No	Part. No	Type	Denomination	Qty/Version			
				800	810	820	830
79	751 64 08	(Ex)	Stator 21-18-4x 50 Hz 4-poles 500V D P2=12,50kW 60 Hz 4-poles 575V-600V D P2=12,70kW/17hp	1	1	1	1
79	751 64 09	(Ex)	Stator 21-18-4x 50 Hz 4-poles 380V D 660V Y P2=12,50kW 60 Hz 4-poles 440V D P2=12,70kW/ 17hp	1	1	1	1
79	654 96 03		Stator 21-15-4a 50 Hz 4-poles 415V D P2=8,50kW 50 Hz 4-poles 415V-440V D P2=10kW	1		1	
79	751 65 03		Stator 21-18-4x 50 Hz 4-poles 415V-440V D P2=12,50kW Thermistor Intermittent duty 13,50kW	1		1	
79	793 32 07		Stator 21-18-2k	1		1	
79	793 31 01		Stator 21-18-2i 50 Hz 2-poles 400V-415V D P2=14kW Thermistor	1		1	
82	608 12 00		Cooling jacket OUTER Material:Steel	1	1	1	1
82	608 12 01		Cooling jacket OUTER Material:stainless steel (ASTM 316L)	1	1	1	1
83	82 78 49		O-ring 221.84X3.53 NBR	1	1	1	1
83	82 71 70		O-ring 221.84X3.53 FPM	1	1	1	1
84	82 75 01		O-ring 279.3X5.7 NBR	1	1	1	1
84	82 75 22		O-ring 279.3X5.7 FPM	1	1	1	1
101	650 51 00		Cable unit FLS10	1	1	1	1
101	650 51 00		Cable unit FLS10	1		1	
103	791 99 00		Level sensor	1		1	
103	663 04 00	(Ex)	Level sensor FLS10		1		1
105	642 10 00		Bearing holder	1		1	
105	642 10 01	(Ex)	Bearing holder		1		1
107	82 59 06		Retaining ring SGA 40	1	1	1	1
108	82 44 15		Supporting washer 40X50X2.5	1	1	1	1
109	83 30 18		Ball bearing 40X90X36.5 MM	1	1	1	1
110	83 07 62		Retaining ring JB 90	1	1	1	1
120	642 13 00		Plug	1	1	1	1
122	82 76 85		O-ring 17X3 NBR	1	1	1	1
122	82 79 15		O-ring 17X3 FPM	1	1	1	1
129	642 12 00		Seal housing cover	1	1	1	1
130	82 78 39		O-ring 230X3 NBR	1	1	1	1
133	83 04 56		Hex.socket hd screw M10X35-A4-80	6	6	6	6
141	770 85 30		Mechanical seal WCCR/WCCR	1	1	1	1
141	770 85 31		Mechanical seal WCCR/RSiC	1	1	1	1
145	83 04 53		Hex.socket hd screw M12X45-A4-80	4	4	4	4
229	667 40 01		Sticker	2	2	2	2
230	726 37 00		Caution label	3	3	3	3
230	726 37 00		Caution label	3		3	
231	93 00 77		Shrink hose ID=6.4 MM	*	*	*	*
231	93 00 78		Shrink hose ID=9.5 MM	*	*	*	*

Pos. No	Part. No	Type	Denomination	Qty/Version			
				800	810	820	830
232	83 53 58		Terminal clamp WDU6/10	3	3	3	3
232	83 53 58		Terminal clamp WDU6/10	4		4	
233	83 53 61		Terminal clamp WDU16,1000V	6	6	6	6
233	83 53 17		Terminal clamp WDU35/IK/ZA	6	6	6	6
233	83 53 61		Terminal clamp WDU16,1000V	8	8	8	8
234	83 53 67		Cross connection WQV16/2	3	3	3	3
234	650 20 02		Cross connection WQV16/10	1	1	1	1
234	83 53 49		Cross connection WQW35/2	3	3	3	3
234	650 20 03		Cross connection WQV35/10	1	1	1	1
234	83 53 67		Cross connection WQV16/2	4	4	4	4
235	83 53 54		End support WEW 35/2	2	2	2	2
236	83 53 50		Partition	1	1	1	1
239	734 59 00		El.lead through unit	1	1	1	1
			Terminal board motor cable: 16mm2 Max current range : 76 A Sealed stator housing Stator leads = 1,50 - 2,50 mm2 For 9 leads stator Terminal board motor cable: 16mm2 Max current range : 76 A Sealed stator housing				
239	441 46 00		El.lead through unit	1	1	1	1
			Terminal board motor cable: 35mm2 Max current range : 125 A Sealed stator housing Stator leads = 4 - 6 mm2				
240	607 48 00		Spring	1	1	1	1
241	82 78 35		O-ring 175X3 NBR	1	1	1	1
241	82 71 33		O-ring 175X3 FPM	1	1	1	1
242	642 11 00		Adapter	1		1	
242	608 22 10		Adapter	1		1	
242	642 11 01	(Ex)	Adapter		1		1
242	608 22 11	(Ex)	Adapter		1		1
243	83 02 97		Hex.socket hd screw M8X16-A4-70	2	2	2	2
245	82 75 01		O-ring 279.3X5.7 NBR	1	1	1	1
245	82 75 22		O-ring 279.3X5.7 FPM	1	1	1	1
246	82 78 39		O-ring 230X3 NBR	1	1	1	1
247	82 95 69		O-ring 84.4X4 FPM	1	1	1	1
247	82 95 69		O-ring 84.4X4 FPM		1		1
248	608 27 00		Strip	1	1	1	1
249	82 32 50		Clip	1	1	1	1
251	642 13 00		Plug	2	2	2	2
252	82 76 85		O-ring 17X3 NBR	2	2	2	2
252	82 79 15		O-ring 17X3 FPM	2	2	2	2
253	608 13 01		Cooling jacket	1	1	1	1
254	608 14 01		Flow diffuser	1	1	1	1
256	608 42 00		Wire bow	4	4	4	4
264	82 40 81		Plain washer (30)-32 MM	4	4	4	4
264	82 40 82		Plain washer (32)-34 MM	4	4	4	4

Pos. No	Part. No	Type	Denomination	Qty/Version			
				800	810	820	830
264	82 40 69		Plain washer (33)-35 MM	4	4	4	4
264	82 40 81		Plain washer (30)-32 MM		4		4
265	84 18 00		Seal sleeve (14)-17 MM	2	2	2	2
265	84 18 02		Seal sleeve (20)-23 MM	2	2	2	2
265	84 18 03		Seal sleeve (23)-26 MM	2	2	2	2
265	84 18 03		Seal sleeve (23)-26 MM	2	2		2
265	84 18 04		Seal sleeve (26)-29 MM	2	2	2	2
265	84 18 06		Seal sleeve (32)-35 MM	2	2	2	2
265	84 18 01		Seal sleeve (17)-20 MM	2	2	2	2
265	84 08 01		Circlip pliers	2			
265	84 18 05		Seal sleeve (29)-32 MM	2	2	2	2
266	597 98 02		Sleeve	1	1	1	1
270	608 31 00		Lock washer		1		1
313	82 71 72		O-ring 71.2X3 FPM	1	1	1	1
332	751 66 00		Caution plate	1	1	1	1
332	751 66 00		Caution plate	1		1	
333	82 69 42		Protective plug	2	2	2	2
333	82 69 42		Protective plug	2		2	
335	83 53 77		Terminal clamp WPE 2,5 WS	1	1	1	1
336	83 42 36		End sleeve 0.75 MM2; L=6 MM	2	2	2	2
337	94 03 34		Shrink hose	*	*	*	*
338	82 40 61		Plain washer (10)-22 MM	1	1	1	1
338	82 40 61		Plain washer (10)-22 MM	1		1	
339	84 17 90		Seal sleeve (10)-12 MM	1	1	1	1
339	84 17 92		Seal sleeve (14)-16 MM	1	1	1	1
339	84 17 92		Seal sleeve (14)-16 MM	1		1	
340	678 58 12		Cable clip (10)-12 MM	1	1	1	1
340	678 58 16		Cable clip (14)-16 MM	1	1	1	1
340	678 58 16		Cable clip (14)-16 MM	1		1	
341	633 11 01		Gland screw 1 1/4" ISO.FOR METAL HOSE	1	1	1	1
341	633 11 04		Gland screw 1 1/2" NPT.FOR METAL HOSE	1	1	1	1
912	82 76 85		O-ring 17X3 NBR	3	3	3	3
912	82 79 15		O-ring 17X3 FPM	3	3	3	3

3.4 3153.660/670/860/870

Pos. No	Part. No	Type	Denomination	Qty/Version			
				660	670	860	870
1	642 15 00		Lifting handle	1	1	1	1
2	83 04 56		Hex.socket hd screw M10X35-A4-80	2	2	2	2
7	83 45 52		Cable tie 292X3.5 MM	1	1	1	1
7	83 45 59		Cable tie 200X2.4 PA 6/6 -55+105	1	1	1	1
8	630 68 00		Data plate USE 6306801 AS SPARE PART	2	2	2	2

Pos. No	Part. No	Type	Denomination	Qty/Version			
				660	670	860	870
8	630 76 00		Plate HOT WATER PRODUCT	1			
8	630 69 00		Certificate plate EN		2		2
8	630 70 00		Certificate plate FM		2		2
8	630 69 01	(Ex)	Certificate plate IECEX		2		2
9	773 29 00		Connection plate	1	1	1	1
9	83 93 50		Marking strip 5-GW(T1;T2;T15;T16)	1	1	1	1
9	83 93 50		Marking strip 5-GW(T1;T2;T15;T16)	1		1	
9	81 65 46		Marking plate	1	1	1	1
9	83 93 51		Marking strip W5;V5;U5;V2;W1;U2;V1;W2;U	1	1	1	1
10	82 20 88		Drive screw 4X5-A2/A4	4	4	4	4
10	82 20 88		Drive screw 4X5-A2/A4		2		2
11	82 00 11		Hex.socket hd screw M6X12-A2-70		2		2
13	642 16 00		Earthing plate		1		1
14	94 19 22		Control cable subcab 7X1,5 OD=15-17 MM	*	*	*	*
14	94 19 30		Control cable s-flex 25X1.5 OD=19.4-21.4 MM	Optional	1	1	1
15	397 81 00		Gland screw FOR CABLE ENTRY	1	1	1	1
15	397 81 00		Gland screw FOR CABLE ENTRY	1		1	
23	94 20 59		Motor cable subcab	SUBCAB 4G2,5+2x1,5	*	*	*
23	94 20 60		Motor cable subcab	SUBCAB 4G4+2x1,5	*	*	*
23	94 20 56		Motor cable subcab	SUBCAB 4G6+2x1,5	*	*	*
23	94 19 81		Motor cable subcab	SUBCAB 4G10+S(2x0,5)	*	*	*
23	94 20 82		Motor cable subcab	SUBCAB 7G2,5+2x1,5	*	*	*
23	94 20 80		Motor cable subcab	SUBCAB 7G4+2x1,5	*	*	*
23	94 19 80		Motor cable subcab	SUBCAB 7G6+S(2x0,5)	*	*	*
23	94 19 82		Motor cable subcab	SUBCAB 4G16+S(2x0,5)	*	*	*
23	94 19 83		Motor cable subcab 4G25+S(2X0.5)		*	*	*
23	94 19 90		Motor cable subcab	SUBCAB S3x2,5+3x2,5/3+S(4x0,5)	*	*	*
23	94 19 91		Motor cable subcab	SUBCAB S3x6+3x6/3+S(4x0,5)	*	*	*
23	94 19 93		Motor cable subcab	SUBCAB S3x16+3x16/3+S(4x0,5)	*	*	*
24	642 17 01	(Ex)	Entrance flange	1	1	1	1
24	597 87 01	(Ex)	Entrance flange ISO G1 1/4	1	1	1	1
24	597 87 04	(Ex)	Entrance flange ISO 228/1-G2	1	1	1	1
24	597 87 11	(Ex)	Entrance flange 1 1/2-11.5 NPT	1	1	1	1
24	597 87 08	(Ex)	Entrance flange 2-11.5 NPT	1	1	1	1
26	83 04 53		Hex.socket hd screw M12X45-A4-80	2	2	2	2
31	82 74 63		O-ring 49.5X3 NBR	1	1	1	1
31	82 81 03		O-ring 49.5X3 FPM	1	1	1	1
32	642 14 00		Entrance cover	1		1	
32	642 14 04		Entrance cover			1	
32	642 14 01	(Ex)	Entrance cover		1		1
32	642 14 05	(Ex)	Entrance cover		1		1
33	82 78 35		O-ring 175X3 NBR	1	1	1	1

Pos. No	Part. No	Type	Denomination	Qty/Version			
				660	670	860	870
33	82 71 33		O-ring 175X3 FPM	1	1	1	1
35	83 04 56		Hex.socket hd screw M10X35-A4-80	4	4	4	4
45	82 00 11		Hex.socket hd screw M6X12-A2-70	2	2	2	2
45	82 00 11		Hex.socket hd screw M6X12-A2-70	2		2	
49	83 42 48		End sleeve H16/24	3	3	3	3
49	83 42 49		End sleeve H25/30	3	3	3	3
51	83 42 62		Closed-end splice 0.33-0.82(AWG 22-18) L=18	2	2	2	2
53	82 00 11		Hex.socket hd screw M6X12-A2-70	2	2	2	2
54	642 08 00		Rail	1	1	1	1
54	642 08 00		Rail	1		1	
56	642 16 00		Earthing plate	1	1	1	1
60	82 56 25		Spring washer 71.5X59X0.55 MM	1	1	1	1
61	83 30 16		Ball bearing 30X72X30.2 MM	1	1	1	1
69	642 09 00		Stator housing	1		1	
69	642 09 01	(Ex)	Stator housing		1		1
72	82 74 94		O-ring 209.3X5.7 NBR	1	1	1	1
72	82 80 83		O-ring 209.3X5.7 FPM	1	1	1	1
73	641 98 05	(Ex)	Shaft unit	1	1		
73	641 98 06	(Ex)	Shaft unit	1	1		
73	751 63 01		Shaft unit			1	1
73	751 63 00	(Ex)	Shaft unit			1	1
79	641 94 02		Stator 21-15-4a	1	1	1	1
			50 Hz 4-poles 230V D 400V Y P2=7,50kW 140 DC				
			50 Hz 4-poles 230V D 400V Y P1=7,90KW				
			50 Hz 4-poles 230V D 400V Y P2=9kW				
			50 Hz 4-poles 230V D 400V Y P1=9,30KW				
79	641 94 03		Stator 21-15-4a	1	1	1	1
			50 Hz 4-poles 415V-440V D P2=7,50kW				
			50 Hz 4-poles 415V-440V D Max P1=8,10KW				
			50 Hz 4-poles 415V-440V D P2=9kW				
			50 Hz 4-poles 415V-440V D Max P1=9,50KW				

Pos. No	Part. No	Type	Denomination	Qty/Version			
				660	670	860	870
79	641 94 08		Stator 21-15-4a 50 Hz 4-poles 500V D P2=7,50kW 60 Hz 4-poles 575V-600V D P1=9,40KW 50 Hz 4-poles 500V D P1=7,90KW 60 Hz 4-poles 575V-600V D P2=8,90kW/12hp 50 Hz 4-poles 500V D P2=9kW 60 Hz 4-poles 575V-600V D P1=11KW 50 Hz 4-poles 500V D P1=9,30KW 60 Hz 4-poles 575V-600V D P2=11,20kW/15hp	1	1	1	1
79	641 94 09		Stator 21-15-4a 50 Hz 4-poles 380V D 660V Y P2=9kW 60 Hz 4-poles 440V D P1=11KW 50 Hz 4-poles 380V D 660V Y P1=9,40KW 60 Hz 4-poles 440V D P2=11,20kW/ 15hp 50 Hz 4-poles 380V D 660V Y P2=7,50kW 60 Hz 4-poles 440V D P1=9,40KW 50 Hz 4-poles 380V D 660V Y P1=7,90KW 60 Hz 4-poles 440V D P2=8,90kW/ 12hp	1	1	1	1
79	641 94 01		Stator 21-15-4a 50 Hz 4-poles 400V D 690V Y P2=9kW 60 Hz 4-poles 460V-480V D P1=11KW 50 Hz 4-poles 400V D 690V Y P1=9,30KW 60 Hz 4-poles 460V-480V D P2=11,20kW/15hp 50 Hz 4-poles 400V D 690V Y P2=7,50kW 60 Hz 4-poles 460V-480V D Max P1=9,40KW 50 Hz 4-poles 400V D 690V Y P1=7,90KW 60 Hz 4-poles 460V-480V D P2=8,90kW/12hp	1	1	1	1
79	641 94 04		Stator 21-15-4a 60 Hz 4-poles 200V-208V D P1=9,40KW 60 Hz 4-poles 200V-208V D P2=8,90kW/12hp 60 Hz 4-poles 200V-208V D P1=11KW 60 Hz 4-poles 200V-208V D P2=11,20kW/15hp	1	1	1	1

Pos. No	Part. No	Type	Denomination	Qty/Version			
				660	670	860	870
79	641 94 05		Stator 21-15-4a 60 Hz 4-poles 230V Y// 460V YSER P1=9,40KW 60 Hz 4-poles 230V Y// 460V YSER P2=8,90kW/12hp 60 Hz 4-poles 230V Y// 460V YSER P1=11KW 60 Hz 4-poles 230V Y// 460V YSER P2=11,20kW/15hp	1	1	1	1
79	641 94 06		Stator 21-15-4a 60 Hz 4-poles 380V D P1=9,40KW 60 Hz 4-poles 380V D P2=8,90kW/ 12hp 60 Hz 4-poles 380V D P1=11KW 60 Hz 4-poles 380V D P2=11,20kW/ 15hp	1	1	1	1
79	641 94 07		Stator 21-15-4a 60 Hz 4-poles 220V D 380V Y P1=11KW 60 Hz 4-poles 220V D 380V Y P2=11,20kW/15hp 60 Hz 4-poles 220V D 380V Y P1=9,40KW 60 Hz 4-poles 220V D 380V Y P2=8,90kW/12hp	1	1	1	1
79	641 93 01		Stator 21-18-4a 50 Hz 4-poles 400V D 690V Y P2=13,50kW 60 Hz 4-poles 460V-480V D P1=14,40KW 50 Hz 4-poles 400V D 690V Y P1=12,60KW 60 Hz 4-poles 460V-480V D P2=14,90kW/20hp	1	1		
79	641 93 02		Stator 21-18-4a 50 Hz 4-poles 230V D 400V Y P2=13,50kW 50 Hz 4-poles 230V D 400V Y P1=12,60KW	1	1		
79	641 93 03		Stator 21-18-4a 50 Hz 4-poles 415V-440V D P2=13,50kW 50 Hz 4-poles 415V-440V D P1=12,70KW	1	1		
79	641 93 04		Stator 21-18-4a 60 Hz 4-poles 200V-208V D P1=14,30KW 60 Hz 4-poles 200V-208V D P2=14,90kW/20hp	1	1		
79	641 93 05		Stator 21-18-4a 60 Hz 4-poles 230V Y// 460V YSER P1=14,30KW 60 Hz 4-poles 230V Y// 460V YSER P2=14,90kW/20hp	1	1		
79	641 93 06		Stator 21-18-4a 60 Hz 4-poles 380V D P1=14,30KW 60 Hz 4-poles 380V D P2=14,90kW/ 20hp	1	1		

Pos. No	Part. No	Type	Denomination	Qty/Version			
				660	670	860	870
79	641 93 07		Stator 21-18-4a 60 Hz 4-poles 220V D 380V Y P1=14,30KW	1	1		
79	641 93 08		Stator 21-18-4a 60 Hz 4-poles 220V D 380V Y P2=14,90kW/20hp	1	1		
79	641 93 09		Stator 21-18-4a 50 Hz 4-poles 500V D P2=13,50kW 60 Hz 4-poles 575V-600V D P1=14,40KW 50 Hz 4-poles 500V D P1=12,70KW 60 Hz 4-poles 575V-600V D P2=14,90kW/20hp	1	1		
79	654 96 03		Stator 21-15-4a 50 Hz 4-poles 380V D 660V Y P2=13,50kW Max ambient temp=40 DC Thermal contact 140 DC 60 Hz 4-poles 440V D P1=14,30KW 50 Hz 4-poles 380V D 660V Y P1=12,70KW 60 Hz 4-poles 440V D P2=14,90kW/ 20hp	1		1	
79	654 95 03		Stator 21-18-4a 50 Hz 4-poles 415V-440V D P2=9kW Thermistor 50 Hz 4-poles 415V-440V D Max P1=9,50KW Thermistor 50 Hz 4-poles 415V-440V D P2=7,50kW Thermistor 50 Hz 4-poles 415V-440V D Max P1=8,10KW Thermistor	1			
79	751 64 01	(Ex)	Stator 21-18-4x 50 Hz 4-poles 415V-440V D P2=13,50kW Thermistor 50 Hz 4-poles 415V-440V D P1=12,70KW Thermistor			1	1
79	751 64 02	(Ex)	Stator 21-18-4x 50 Hz 4-poles 400V D 690V Y P2=12,50kW 60 Hz 4-poles 460V-480V D P2=12,70kW/17hp			1	1
79	751 64 03	(Ex)	Stator 21-18-4x 50 Hz 4-poles 230V D 400V Y P2=12,50kW			1	1
79	751 64 04	(Ex)	Stator 21-18-4x 50 Hz 4-poles 415V-440V D P2=12,50kW			1	1
79	751 64 05	(Ex)	Stator 21-18-4x 60 Hz 4-poles 200V-208V D P2=12,70kW/17hp			1	1
79	751 64 06	(Ex)	Stator 21-18-4x 60 Hz 4-poles 220V-230V Y// 440V-460V YSER P2=12,70kW/ 17hp			1	1
79	751 64 07	(Ex)	Stator 21-18-4x 60 Hz 4-poles 380V D P2=12,70kW/ 17hp			1	1
79	751 64 08	(Ex)	Stator 21-18-4x 60 Hz 4-poles 220V D 380V Y P2=12,70kW/17hp 50 Hz 4-poles 500V D P2=12,50kW 60 Hz 4-poles 575V-600V D P2=12,70kW/17hp			1	1

Pos. No	Part. No	Type	Denomination	Qty/Version			
				660	670	860	870
79	751 64 09	(Ex)	Stator 21-18-4x 50 Hz 4-poles 380V D 660V Y P2=12,50kW 60 Hz 4-poles 440V D P2=12,70kW/ 17hp			1	1
79	751 65 03		Stator 21-18-4x 50 Hz 4-poles 415V-440V D P2=12,50kW Thermistor Intermittent duty 13,50kW			1	
82	608 12 00		Cooling jacket OUTER Material:Steel	1	1	1	1
82	608 12 01		Cooling jacket OUTER Material:stainless steel (ASTM 316L)	1	1	1	1
83	82 78 49		O-ring 221.84X3.53 NBR	1	1	1	1
83	82 71 70		O-ring 221.84X3.53 FPM	1	1	1	1
84	82 75 01		O-ring 279.3X5.7 NBR	1	1	1	1
84	82 75 22		O-ring 279.3X5.7 FPM	1	1	1	1
101	650 51 00		Cable unit FLS10	1	1	1	1
101	650 51 00		Cable unit FLS10	1		1	
103	791 99 00		Level sensor	1		1	
103	663 04 00	(Ex)	Level sensor FLS10		1		1
105	642 10 00		Bearing holder	1		1	
105	642 10 01	(Ex)	Bearing holder		1		1
107	82 59 06		Retaining ring SGA 40	1	1	1	1
108	82 44 15		Supporting washer 40X50X2.5	1	1	1	1
109	83 30 18		Ball bearing 40X90X36.5 MM	1	1	1	1
110	83 07 62		Retaining ring JB 90	1	1	1	1
120	642 13 00		Plug	1	1	1	1
122	82 76 85		O-ring 17X3 NBR	1	1	1	1
122	82 79 15		O-ring 17X3 FPM	1	1	1	1
129	642 12 00		Seal housing cover	1	1	1	1
130	82 78 39		O-ring 230X3 NBR	1	1	1	1
133	83 04 56		Hex.socket hd screw M10X35-A4-80	6	6	6	6
141	770 85 30		Mechanical seal WCCR/WCCR	1	1	1	1
141	770 85 31		Mechanical seal WCCR/RSIC	1	1	1	1
145	83 04 53		Hex.socket hd screw M12X45-A4-80	4	4	4	4
229	667 40 01		Sticker	2	2	2	2
230	726 37 00		Caution label			3	3
231	93 00 77		Shrink hose ID=6.4 MM	*	*	*	*
231	93 00 78		Shrink hose ID=9.5 MM	*	*	*	*
232	83 53 58		Terminal clamp WDU6/10	3	3	3	3
232	83 53 58		Terminal clamp WDU6/10	4		4	
233	83 53 61		Terminal clamp WDU16,1000V	6	6	6	6
233	83 53 17		Terminal clamp WDU35/IK/ZA	6	6	6	6
233	83 53 61		Terminal clamp WDU16,1000V	8	8	8	8
234	83 53 67		Cross connection WQV16/2	3	3	3	3
234	650 20 02		Cross connection WQV16/10	1	1	1	1
234	83 53 49		Cross connection WQV35/2	3	3	3	3
234	650 20 03		Cross connection WQV35/10	1	1	1	1

Pos. No	Part. No	Type	Denomination	Qty/Version			
				660	670	860	870
234	83 53 67		Cross connection WQV16/2	4	4	4	4
235	83 53 54		End support WEW 35/2	2	2	2	2
236	83 53 50		Partition	1	1	1	1
239	734 59 00		El.lead through unit	1	1	1	1
			Terminal board motor cable: 16mm2 Max current range : 76 A Sealed stator housing Stator leads = 1,50 - 2,50 mm2 For 9 leads stator Terminal board motor cable: 16mm2 Max current range : 76 A Sealed stator housing				
239	441 46 00		El.lead through unit	1	1	1	1
			Terminal board motor cable: 35mm2 Max current range : 125 A Sealed stator housing Stator leads = 4 - 6 mm2				
240	607 48 00		Spring	1	1	1	1
241	82 78 35		O-ring 175X3 NBR	1	1	1	1
241	82 71 33		O-ring 175X3 FPM	1	1	1	1
242	642 11 00		Adapter	1		1	
242	608 22 10		Adapter	1		1	
			Cooling jacket				
242	642 11 01	(Ex)	Adapter		1		1
242	608 22 11	(Ex)	Adapter		1		1
			Cooling jacket				
243	83 02 97		Hex.socket hd screw M8X16-A4-70	2	2	2	2
245	82 75 01		O-ring 279.3X5.7 NBR	1	1	1	1
245	82 75 22		O-ring 279.3X5.7 FPM	1	1	1	1
246	82 78 39		O-ring 230X3 NBR	1	1	1	1
247	82 95 69		O-ring 84.4X4 FPM	1	1	1	1
247	82 95 69		O-ring 84.4X4 FPM	1			
247	82 95 69		O-ring 84.4X4 FPM		1		1
248	608 27 00		Strip	1	1	1	1
249	82 32 50		Clip	1	1	1	1
251	642 13 00		Plug	2	2	2	2
252	82 76 85		O-ring 17X3 NBR	2	2	2	2
252	82 79 15		O-ring 17X3 FPM	2	2	2	2
253	608 13 01		Cooling jacket	1	1	1	1
254	608 14 01		Flow diffuser	1	1	1	1
256	608 42 00		Wire bow	4	4	4	4
264	82 40 81		Plain washer (30)-32 MM	4	4	4	4
264	82 40 82		Plain washer (32)-34 MM	4	4	4	4
264	82 40 69		Plain washer (33)-35 MM	4	4	4	4
264	82 40 82		Plain washer (32)-34 MM	4		4	4
264	82 40 81		Plain washer (30)-32 MM		4		4
265	84 18 00		Seal sleeve (14)-17 MM	2	2	2	2
265	84 18 02		Seal sleeve (20)-23 MM	2	2	2	2
265	84 18 03		Seal sleeve (23)-26 MM	2	2	2	2
265	84 18 04		Seal sleeve (26)-29 MM	2	2	2	2
265	84 18 06		Seal sleeve (32)-35 MM	2	2	2	2

Pos. No	Part. No	Type	Denomination	Qty/Version			
				660	670	860	870
265	84 18 01		Seal sleeve (17)-20 MM	2	2	2	2
265	84 18 05		Seal sleeve (29)-32 MM	2	2	2	2
266	597 98 02		Sleeve	1	1	1	1
270	608 31 00		Lock washer		1		1
313	82 71 72		O-ring 71.2X3 FPM	1	1	1	1
332	751 66 00		Caution plate			1	1
333	82 69 42		Protective plug			2	2
335	83 53 77		Terminal clamp WPE 2,5 WS	1	1	1	1
336	83 42 36		End sleeve 0.75 MM2; L=6 MM	2	2	2	2
337	94 03 34		Shrink hose	*	*	*	*
338	82 40 61		Plain washer (10)-22 MM	1	1	1	1
338	82 40 61		Plain washer (10)-22 MM	1		1	
339	84 17 90		Seal sleeve (10)-12 MM	1	1	1	1
339	84 17 92		Seal sleeve (14)-16 MM	1	1	1	1
339	84 17 92		Seal sleeve (14)-16 MM	1		1	
340	678 58 12		Cable clip (10)-12 MM	1	1	1	1
340	678 58 16		Cable clip (14)-16 MM	1	1	1	1
340	678 58 16		Cable clip (14)-16 MM	1		1	
341	633 11 01		Gland screw 1 1/4" ISO.FOR METAL HOSE	1	1	1	1
341	633 11 04		Gland screw 1 1/2" NPT.FOR METAL HOSE	1	1	1	1
912	82 76 85		O-ring 17X3 NBR	3	3	3	3
912	82 79 15		O-ring 17X3 FPM	3	3	3	3

3.5 3153.350/390/840/850

Pos. No	Part. No	Type	Denomination	Qty/Version			
				350	390	840	850
1	642 15 00		Lifting handle	1	1	1	1
2	83 04 56		Hex.socket hd screw M10X35-A4-80	2	2	2	2
7	83 45 52		Cable tie 292X3.5 MM	1	1	1	1
7	83 45 59		Cable tie 200X2.4 PA 6/6 -55+105	1	1	1	1
8	630 68 00		Data plate USE 6306801 AS SPARE PART	2	2	2	2
8	630 76 00		Plate HOT WATER PRODUCT	1			
8	630 69 00		Certificate plate EN		2		2
8	630 70 00		Certificate plate FM		2		2
8	630 69 01	(Ex)	Certificate plate IECEX		2		2
9	773 29 00		Connection plate	1	1	1	1
9	83 93 50		Marking strip 5-GW(T1;T2;T15;T16)	1	1	1	1
9	83 93 50		Marking strip 5-GW(T1;T2;T15;T16)	1		1	
9	81 65 46		Marking plate	1	1	1	1
9	83 93 51		Marking strip W5;V5;U5;V2;W1;U2;V1;W2;U	1	1	1	1
10	82 20 88		Drive screw 4X5-A2/A4	4	4	4	4

Pos. No	Part. No	Type	Denomination	Qty/Version			
				350	390	840	850
10	82 20 88		Drive screw 4X5-A2/A4		2		2
11	82 00 11		Hex.socket hd screw M6X12-A2-70		2		2
13	642 16 00		Earthing plate		1		1
14	94 19 22		Control cable subcab 7X1,5 OD=15-17 MM	*	*	*	*
14	94 19 30		Control cable s-flex 25X1.5 OD=19.4-21.4 MM	Optional	1	1	1
15	397 81 00		Gland screw FOR CABLE ENTRY		1	1	1
15	397 81 00		Gland screw FOR CABLE ENTRY		1	1	1
23	94 20 59		Motor cable subcab	SUBCAB 4G2,5+2x1,5	*	*	*
23	94 20 60		Motor cable subcab	SUBCAB 4G4+2x1,5	*	*	*
23	94 20 56		Motor cable subcab	SUBCAB 4G6+2x1,5	*	*	*
23	94 19 81		Motor cable subcab	SUBCAB 4G10+S(2x0,5)	*	*	*
23	94 20 82		Motor cable subcab	SUBCAB 7G2,5+2x1,5	*	*	*
23	94 20 80		Motor cable subcab	SUBCAB 7G4+2x1,5	*	*	*
23	94 19 80		Motor cable subcab	SUBCAB 7G6+S(2x0,5)	*	*	*
23	94 19 82		Motor cable subcab	SUBCAB 4G16+S(2x0,5)	*	*	*
23	94 19 83		Motor cable subcab 4G25+S(2X0.5)		*	*	*
23	94 19 90		Motor cable subcab	SUBCAB S3x2,5+3x2,5/3+S(4x0,5)	*	*	*
23	94 19 91		Motor cable subcab	SUBCAB S3x6+3x6/3+S(4x0,5)	*	*	*
23	94 19 93		Motor cable subcab	SUBCAB S3x16+3x16/3+S(4x0,5)	*	*	*
24	642 17 01	(Ex)	Entrance flange		1	1	1
24	597 87 01	(Ex)	Entrance flange ISO G1 1/4		1	1	1
24	597 87 04	(Ex)	Entrance flange ISO 228/1-G2		1	1	1
24	597 87 11	(Ex)	Entrance flange 1 1/2-11.5 NPT		1	1	1
24	597 87 08	(Ex)	Entrance flange 2-11.5 NPT		1	1	1
26	83 04 53		Hex.socket hd screw M12X45-A4-80		2	2	2
31	82 74 63		O-ring 49.5X3 NBR		1	1	1
31	82 81 03		O-ring 49.5X3 FPM		1	1	1
32	642 14 00		Entrance cover		1	1	1
32	642 14 04		Entrance cover	Cable entry auxiliary cable	1	1	1
32	642 14 01	(Ex)	Entrance cover		1	1	1
32	642 14 05	(Ex)	Entrance cover	Cable entry auxiliary cable	1	1	1
33	82 78 35		O-ring 175X3 NBR		1	1	1
33	82 71 33		O-ring 175X3 FPM		1	1	1
35	83 04 56		Hex.socket hd screw M10X35-A4-80		4	4	4
45	82 00 11		Hex.socket hd screw M6X12-A2-70		2	2	2
45	82 00 11		Hex.socket hd screw M6X12-A2-70		2	2	2
49	83 42 48		End sleeve H16/24		3	3	3
49	83 42 49		End sleeve H25/30		3	3	3
51	83 42 62		Closed-end splice 0.33-0.82(AWG 22-18) L=18		2	2	2
53	82 00 11		Hex.socket hd screw M6X12-A2-70		2	2	2
54	642 08 00		Rail		1	1	1
54	642 08 00		Rail		1	1	1

Pos. No	Part. No	Type	Denomination	Qty/Version			
				350	390	840	850
56	642 16 00		Earthing plate	1	1	1	1
60	82 56 25		Spring washer 71.5X59X0.55 MM	1	1	1	1
61	83 30 16		Ball bearing 30X72X30.2 MM	1	1	1	1
69	642 09 00		Stator housing	1		1	
69	642 09 01	(Ex)	Stator housing		1		1
72	82 74 94		O-ring 209.3X5.7 NBR	1	1	1	1
72	82 80 83		O-ring 209.3X5.7 FPM	1	1	1	1
73	641 91 03		Shaft unit	21-18-2	1	1	1
73	641 98 05	(Ex)	Shaft unit	21-15-4	1	1	
73	641 98 06	(Ex)	Shaft unit	21-18-4	1	1	
73	641 91 03		Shaft unit	21-18-2	1		1
73	751 63 01		Shaft unit	21-15-4			1
73	751 63 00	(Ex)	Shaft unit	21-18-4			1
79	702 44 01		Stator 21-18-2f	50 Hz 2-poles 660V-690V Y 380V-400V D P2=11kW 60 Hz 2-poles 440V-460V D P2=12,70kW/17hp	1	1	
79	702 44 02		Stator 21-18-2f	50 Hz 2-poles 220V-230V D 400V Y P2=11kW	1	1	
79	702 44 08		Stator 21-18-2f	60 Hz 2-poles 200V-208V D P2=12,70kW/17hp	1	1	
79	702 44 04		Stator 21-18-2f	60 Hz 2-poles 440V-460V YSER 220V-230V Y// P2=12,70kW/17hp	1	1	
79	702 44 03		Stator 21-18-2f	50 Hz 2-poles 500V D P2=11kW 60 Hz 2-poles 575V-600V D P2=12,70kW/17hp	1	1	
79	702 44 07		Stator 21-18-2f	50 Hz 2-poles 415V-440V D P2=11kW	1	1	
79	661 39 01		Stator 21-18-2b	50 Hz 2-poles 400V-440V D 690V Y P2=15kW 60 Hz 2-poles 460V D P1=16,40KW 50 Hz 2-poles 400V-440V D 690V Y P1=15,50KW 60 Hz 2-poles 460V D P2=17,20kW/ 23hp	1	1	
79	661 39 02		Stator 21-18-2b	50 Hz 2-poles 400V Y 230V D P2=15kW 50 Hz 2-poles 400V Y 230V D P1=15,50KW	1	1	
79	661 39 08		Stator 21-18-2b	60 Hz 2-poles 200V-208V D P1=16,40KW 60 Hz 2-poles 200V-208V D P2=17,20kW/23hp	1	1	
79	661 39 04		Stator 21-18-2b	60 Hz 2-poles 440V-460V YSER 220V-230V Y// P1=16,40KW 60 Hz 2-poles 440V-460V YSER 220V-230V Y// P2=17,20kW/23hp	1	1	

Pos. No	Part. No	Type	Denomination	Qty/Version			
				350	390	840	850
79	661 39 03		Stator 21-18-2b 50 Hz 2-poles 500V D P2=15kW 60 Hz 2-poles 575V-600V D P1=16,40KW 50 Hz 2-poles 500V D P1=15,50KW 60 Hz 2-poles 575V-600V D P2=17,20kW/23hp	1	1		
79	661 39 07		Stator 21-18-2b 50 Hz 2-poles 660V Y 380V D P2=15kW 60 Hz 2-poles 440V D P1=16,40KW 50 Hz 2-poles 660V Y 380V D P1=15,40KW 60 Hz 2-poles 440V D P2=17,20kW/ 23hp	1	1		
79	641 94 01		Stator 21-15-4a 50 Hz 4-poles 690V Y 400V D P2=7,50kW Stator 6-leads 3-phase 60 Hz 4-poles 460V D P1=9,40KW 50 Hz 4-poles 690V Y 400V D P1=7,90KW 60 Hz 4-poles 460V D P2=8,90kW/ 12hp 50 Hz 4-poles 690V Y 400V D P2=9kW 60 Hz 4-poles 460V D P1=11KW 50 Hz 4-poles 690V Y 400V D P1=9,30KW 60 Hz 4-poles 460V D P2=11,20kW/ 15hp	1	1	1	1
79	641 94 02		Stator 21-15-4a 50 Hz 4-poles 400V Y 230V D P2=7,50kW 50 Hz 4-poles 400V Y 230V D P1=7,90KW 50 Hz 4-poles 400V Y 230V D P2=9kW 50 Hz 4-poles 400V Y 230V D P1=9,30KW	1	1	1	1
79	641 94 03		Stator 21-15-4a 50 Hz 4-poles 415V-440V D P2=7,50kW 50 Hz 4-poles 415V-440V D Max P1=8KW 50 Hz 4-poles 415V-440V D P2=9kW 50 Hz 4-poles 415V-440V D Max P1=9,50KW	1	1	1	1

Pos. No	Part. No	Type	Denomination	Qty/Version			
				350	390	840	850
79	641 94 08		Stator 21-15-4a 50 Hz 4-poles 500V D P2=7,50kW 60 Hz 4-poles 575V-600V D P1=9,40KW 50 Hz 4-poles 500V D P1=7,90KW 60 Hz 4-poles 575V-600V D P2=8,90kW/12hp 50 Hz 4-poles 500V D P2=9kW 60 Hz 4-poles 575V-600V D P1=11KW 50 Hz 4-poles 500V D P1=9,30KW 60 Hz 4-poles 575V-600V D P2=11,20kW/15hp	1	1	1	1
79	641 94 09		Stator 21-15-4a 50 Hz 4-poles 660V Y 380V D P2=9kW 60 Hz 4-poles 440V D P1=11KW 50 Hz 4-poles 660V Y 380V D P1=9,40KW 60 Hz 4-poles 440V D P2=11,20kW/ 15hp 50 Hz 4-poles 660V Y 380V D P2=7,50kW 60 Hz 4-poles 440V D P1=9,40KW 50 Hz 4-poles 660V Y 380V D P1=8KW 60 Hz 4-poles 440V D P2=8,90kW/ 12hp	1	1	1	1
79	641 94 04		Stator 21-15-4a 60 Hz 4-poles 200V-208V D P1=9,40KW 60 Hz 4-poles 200V-208V D P2=8,90kW/12hp 60 Hz 4-poles 200V-208V D P1=11KW 60 Hz 4-poles 200V-208V D P2=11,20kW/15hp	1	1	1	1
79	641 94 05		Stator 21-15-4a 60 Hz 4-poles 230V Y// 460V YSER P1=9,40KW 60 Hz 4-poles 230V Y// 460V YSER P2=8,90kW/12hp 60 Hz 4-poles 460V YSER 230V Y// P1=11KW 60 Hz 4-poles 460V YSER 230V Y// P2=11,20kW/15hp	1	1	1	1
79	641 94 06		Stator 21-15-4a 60 Hz 4-poles 380V D P1=9,40KW 60 Hz 4-poles 380V D P2=8,90kW/ 12hp 60 Hz 4-poles 380V D 60 Hz 4-poles 380V D P2=11,20kW/ 15hp	1	1	1	1

Pos. No	Part. No	Type	Denomination	Qty/Version			
				350	390	840	850
79	641 94 07		Stator 21-15-4a 60 Hz 4-poles 380V Y P1=11KW 60 Hz 4-poles 380V Y P2=11,20kW/15hp 60 Hz 4-poles 220V D 380V Y P1=9KW 60 Hz 4-poles 220V D 380V Y P2=8,90kW/12hp	1	1	1	1
79	641 93 01		Stator 21-18-4a 50 Hz 4-poles 690V Y 400V D P2=13,50kW 60 Hz 4-poles 460V-480V D P1=14,40KW 50 Hz 4-poles 690V Y 400V D P1=12,60KW 60 Hz 4-poles 460V-480V D P2=14,90kW/20hp	1	1		
79	641 93 02		Stator 21-18-4a 50 Hz 4-poles 400V Y 230V D P2=13,50kW 50 Hz 4-poles 400V Y 230V D P1=12,60KW	1	1		
79	641 93 03		Stator 21-18-4a 50 Hz 4-poles 415V-440V D P2=13,50kW 50 Hz 4-poles 415V-440V D P1=12,70KW	1	1		
79	641 93 04		Stator 21-18-4a 60 Hz 4-poles 200V-208V D P1=14,30KW 60 Hz 4-poles 200V-208V D P2=14,90kW/20hp	1	1		
79	641 93 05		Stator 21-18-4a 60 Hz 4-poles 460V YSER 230V Y// P1=14,30KW 60 Hz 4-poles 460V YSER 230V Y// P2=14,90kW/20hp	1	1		
79	641 93 06		Stator 21-18-4a 60 Hz 4-poles 380V D P1=14,30KW 60 Hz 4-poles 380V D P2=14,90kW/20hp	1	1		
79	641 93 07		Stator 21-18-4a 60 Hz 4-poles 380V Y P1=14,30KW 60 Hz 4-poles 380V Y P2=14,90kW/20hp	1	1		
79	641 93 08		Stator 21-18-4a 50 Hz 4-poles 500V D P2=13,50kW 60 Hz 4-poles 575V-600V D P1=14,40KW 50 Hz 4-poles 500V D P1=12,70KW 60 Hz 4-poles 575V-600V D P2=14,90kW/20hp	1	1		
79	641 93 09		Stator 21-18-4a 50 Hz 4-poles 660V Y 380V D P2=13,50kW 60 Hz 4-poles 440V D P1=14,30KW 50 Hz 4-poles 660V Y 380V D P1=12,70KW 60 Hz 4-poles 440V D P2=14,90kW/20hp	1	1		

Pos. No	Part. No	Type	Denomination	Qty/Version			
				350	390	840	850
79	654 96 03		Stator 21-15-4a 50 Hz 4-poles 415V-440V D P2=9kW Thermistor 50 Hz 4-poles 415V-440V D Max P1=9,50KW Thermistor 50 Hz 4-poles 415V-440V D P2=7,50kW Thermistor 50 Hz 4-poles 415V-440V D Max P1=8KW Thermistor	1		1	
79	654 95 03		Stator 21-18-4a 50 Hz 4-poles 415V-440V D P2=13,50kW Thermistor 50 Hz 4-poles 415V-440V D P1=12,70KW Thermistor	1			
79	702 45 07		Stator 21-18-2f 50 Hz 2-poles 415V-440V D P2=11kW Thermistor	1			
79	689 07 01		Stator 21-18-2b 50 Hz 2-poles 400V-440V D 690V Y P2=15kW Thermistor 50 Hz 2-poles 400V-440V D 690V Y P1=15,50KW Thermistor	1			
79	793 29 01		Stator 21-18-2k 50 Hz 2-poles 380V-400V D 660V-690V Y P2=11kW 60 Hz 2-poles 440V-480V D P2=12,70kW/17hp			1	1
79	793 29 02		Stator 21-18-2k 50 Hz 2-poles 220V-230V D 400V Y P2=11kW			1	1
79	793 29 08		Stator 21-18-2k 60 Hz 2-poles 200V-208V D P2=12,70kW/17hp			1	1
79	793 29 04		Stator 21-18-2k 60 Hz 2-poles 220V-230V Y// 440V-460V YSER P2=12,70kW/ 17hp			1	1
79	793 29 03		Stator 21-18-2k 50 Hz 2-poles 500V D P2=11kW 60 Hz 2-poles 575V-600V D P2=12,70kW/17hp			1	1
79	793 29 07		Stator 21-18-2k 50 Hz 2-poles 415V-440V D P2=11kW			1	1
79	793 29 09		Stator 21-18-2k 60 Hz 2-poles 380V D P2=12,70kW/ 17hp			1	1
79	793 27 01		Stator 21-18-2i 50 Hz 2-poles 400V-415V D 690V Y P2=14kW 60 Hz 2-poles 440V-480V D P2=17,20kW/23hp			1	1
79	793 27 02		Stator 21-18-2i 50 Hz 2-poles 230V D 400V Y P2=14kW			1	1
79	793 27 08		Stator 21-18-2i 60 Hz 2-poles 200V-208V D P2=17,20kW/23hp			1	1
79	793 27 04		Stator 21-18-2i 60 Hz 2-poles 220V-230V Y// 440V-460V YSER P2=17,20kW/ 23hp			1	1
79	793 27 03		Stator 21-18-2i 50 Hz 2-poles 500V D P2=14kW 60 Hz 2-poles 575V-600V D P2=17,20kW/23hp			1	1
79	793 27 07		Stator 21-18-2i 50 Hz 2-poles 380V D P2=14kW			1	1

Pos. No	Part. No	Type	Denomination	Qty/Version			
				350	390	840	850
79	793 27 10		Stator 21-18-2i 60 Hz 2-poles 380V-400V D P2=17,20kW/23hp			1	1
79	751 64 01	(Ex)	Stator 21-18-4x 50 Hz 4-poles 400V D 690V Y P2=12,50kW			1	1
79	751 64 02	(Ex)	Stator 21-18-4x 60 Hz 4-poles 460V-480V D P2=12,70kW/17hp			1	1
79	751 64 03	(Ex)	Stator 21-18-4x 50 Hz 4-poles 230V D 400V Y P2=12,50kW			1	1
79	751 64 04	(Ex)	Stator 21-18-4x 50 Hz 4-poles 415V-440V D P2=12,50kW			1	1
79	751 64 05	(Ex)	Stator 21-18-4x 60 Hz 4-poles 200V-208V D P2=12,70kW/17hp			1	1
79	751 64 06	(Ex)	Stator 21-18-4x 60 Hz 4-poles 220V-230V Y// 440V-460V YSER P2=12,70kW/ 17hp			1	1
79	751 64 07	(Ex)	Stator 21-18-4x Stator 6-leads 3-phase 60 Hz 4-poles 380V D P2=12,70kW/17hp			1	1
79	751 64 08	(Ex)	Stator 21-18-4x 60 Hz 4-poles 220V D 380V Y P2=12,70kW/17hp			1	1
79	751 64 09	(Ex)	Stator 21-18-4x 50 Hz 4-poles 500V D P2=12,50kW			1	1
79	751 64 09	(Ex)	Stator 21-18-4x 60 Hz 4-poles 575V-600V D P2=12,70kW/17hp			1	1
79	751 64 09	(Ex)	Stator 21-18-4x 50 Hz 4-poles 380V D 660V Y P2=12,50kW			1	1
79	751 65 03		Stator 21-18-4x 60 Hz 4-poles 440V D P2=12,70kW/ 17hp			1	
79	793 32 07		Stator 21-18-2k 50 Hz 4-poles 415V-440V D P2=12,50kW			1	
79	793 31 01		Stator 21-18-2i 50 Hz 2-poles 400V-415V D P2=14kW			1	
82	608 12 00		Cooling jacket OUTER Material:Steel	1	1	1	1
82	608 12 01		Cooling jacket OUTER Material:stainless steel (ASTM 316L)	1	1	1	1
83	82 78 49		O-ring 221.84X3.53 NBR	1	1	1	1
83	82 71 70		O-ring 221.84X3.53 FPM	1	1	1	1
84	82 75 01		O-ring 279.3X5.7 NBR	1	1	1	1
84	82 75 22		O-ring 279.3X5.7 FPM	1	1	1	1
101	650 51 00		Cable unit FLS10	1	1	1	1
101	650 51 00		Cable unit FLS10	1		1	
103	791 99 00		Level sensor	1		1	
103	663 04 00	(Ex)	Level sensor FLS10		1		1
105	642 10 00		Bearing holder	1		1	
105	642 10 01	(Ex)	Bearing holder		1		1
107	82 59 06		Retaining ring SGA 40	1	1	1	1
108	82 44 15		Supporting washer 40X50X2.5	1	1	1	1
109	83 30 18		Ball bearing 40X90X36.5 MM	1	1	1	1
110	83 07 62		Retaining ring JB 90	1	1	1	1
120	642 13 00		Plug	1	1	1	1

Pos. No	Part. No	Type	Denomination	Qty/Version			
				350	390	840	850
122	82 76 85		O-ring 17X3 NBR	1	1	1	1
122	82 79 15		O-ring 17X3 FPM	1	1	1	1
129	642 12 00		Seal housing cover	1	1	1	1
130	82 78 39		O-ring 230X3 NBR	1	1	1	1
133	83 04 56		Hex.socket hd screw M10X35-A4-80	6	6	6	6
141	770 85 30		Mechanical seal WCCR/WCCR	1	1	1	1
141	770 85 31		Mechanical seal WCCR/RSIC	1	1	1	1
145	83 04 53		Hex.socket hd screw M12X45-A4-80	4	4	4	4
229	667 40 01		Sticker	2	2	2	2
230	726 37 00		Caution label			3	3
231	93 00 77		Shrink hose ID=6.4 MM	*	*	*	*
231	93 00 78		Shrink hose ID=9.5 MM	*	*	*	*
232	83 53 58		Terminal clamp WDU6/10	3	3	3	3
232	83 53 58		Terminal clamp WDU6/10	4		4	
233	83 53 61		Terminal clamp WDU16,1000V	6	6	6	6
233	83 53 17		Terminal clamp WDU35/IK/ZA	6	6	6	6
233	83 53 61		Terminal clamp WDU16,1000V	8	8	8	8
234	83 53 67		Cross connection WQV16/2	3	3	3	3
234	650 20 02		Cross connection WQV16/10	1	1	1	1
234	83 53 49		Cross connection WQW35/2	3	3	3	3
234	650 20 03		Cross connection WQV35/10	1	1	1	1
234	83 53 67		Cross connection WQV16/2	4	4	4	4
235	83 53 54		End support WEW 35/2	2	2	2	2
236	83 53 50		Partition	1	1	1	1
239	734 59 00		El.lead through unit	1	1	1	1
			Terminal board motor cable: 16mm2 Max current range : 76 A Sealed stator housing Stator leads = 1,50 - 2,50 mm2 For 9 leads stator Terminal board motor cable: 16mm2 Max current range : 76 A Sealed stator housing				
239	441 46 00		El.lead through unit	1	1	1	1
			Terminal board motor cable: 35mm2 Max current range : 125 A Sealed stator housing Stator leads = 4 - 6 mm2				
240	607 48 00		Spring	1	1	1	1
241	82 78 35		O-ring 175X3 NBR	1	1	1	1
241	82 71 33		O-ring 175X3 FPM	1	1	1	1
242	608 22 10		Adapter Cooling jacket	1		1	
242	608 22 11	(Ex)	Adapter Cooling jacket		1		1
243	83 02 97		Hex.socket hd screw M8X16-A4-70	2	2	2	2
245	82 75 01		O-ring 279.3X5.7 NBR	1	1	1	1
245	82 75 22		O-ring 279.3X5.7 FPM	1	1	1	1
246	82 78 39		O-ring 230X3 NBR	1	1	1	1
247	82 95 69		O-ring 84.4X4 FPM	1	1	1	1
247	82 95 69		O-ring 84.4X4 FPM	1			

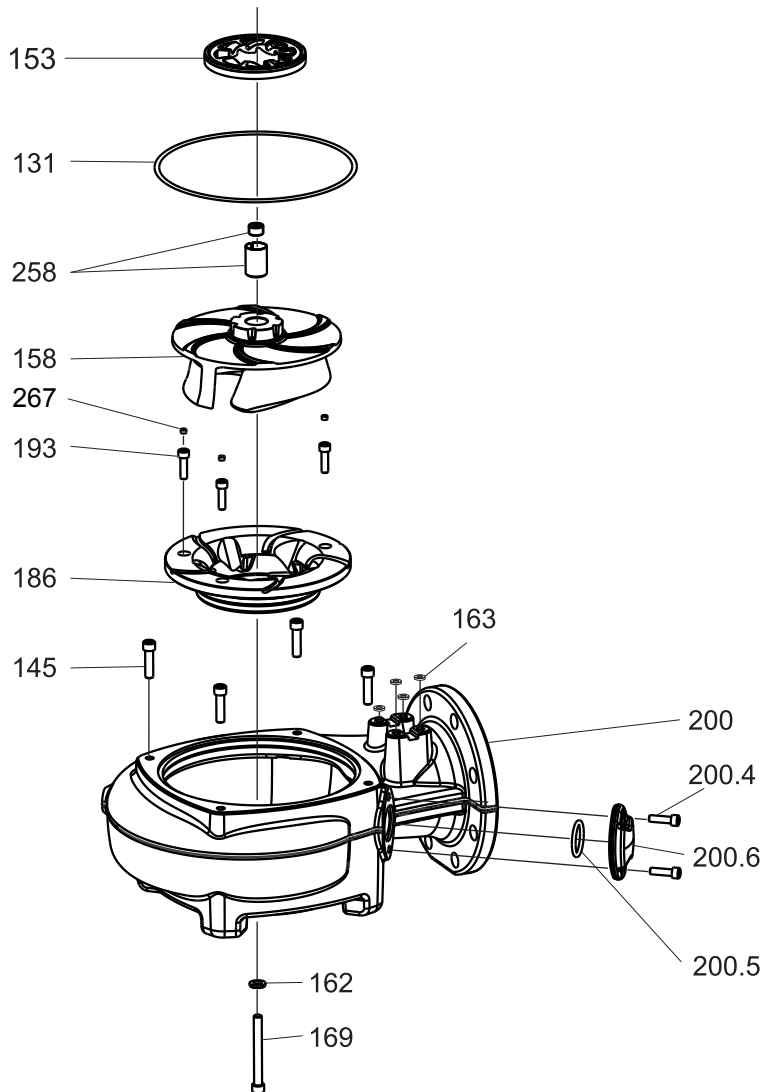
Pos. No	Part. No	Type	Denomination	Qty/Version			
				350	390	840	850
247	82 95 69		O-ring 84.4X4 FPM		1		1
248	608 27 00		Strip	1	1	1	1
249	82 32 50		Clip	1	1	1	1
251	642 13 00		Plug	2	2	2	2
252	82 76 85		O-ring 17X3 NBR	2	2	2	2
252	82 79 15		O-ring 17X3 FPM	2	2	2	2
253	608 13 01		Cooling jacket	1	1	1	1
254	608 14 01		Flow diffuser	1	1	1	1
256	608 42 00		Wire bow	4	4	4	4
264	82 40 81		Plain washer (30)-32 MM	4	4	4	4
264	82 40 82		Plain washer (32)-34 MM	4	4	4	4
264	82 40 69		Plain washer (33)-35 MM	4	4	4	4
264	82 40 82		Plain washer (32)-34 MM	4		4	4
264	82 40 81		Plain washer (30)-32 MM		4		4
265	84 18 00		Seal sleeve (14)-17 MM	2	2	2	2
265	84 18 02		Seal sleeve (20)-23 MM	2	2	2	2
265	84 18 03		Seal sleeve (23)-26 MM	2	2	2	2
265	84 18 04		Seal sleeve (26)-29 MM	2	2	2	2
265	84 18 06		Seal sleeve (32)-35 MM	2	2	2	2
265	84 18 01		Seal sleeve (17)-20 MM	2	2	2	2
265	84 18 05		Seal sleeve (29)-32 MM	2	2	2	2
266	597 98 02		Sleeve	1	1	1	1
270	608 31 00		Lock washer		1		1
313	82 71 72		O-ring 71.2X3 FPM	1	1	1	1
332	751 66 00		Caution plate			1	1
333	82 69 42		Protective plug			2	2
335	83 53 77		Terminal clamp WPE 2,5 WS	1	1	1	1
336	83 42 36		End sleeve 0.75 MM2; L=6 MM	2	2	2	2
337	94 03 34		Shrink hose	*	*	*	*
338	82 40 61		Plain washer (10)-22 MM	1	1	1	1
338	82 40 61		Plain washer (10)-22 MM	1		1	
339	84 17 90		Seal sleeve (10)-12 MM	1	1	1	1
339	84 17 92		Seal sleeve (14)-16 MM	1	1	1	1
339	84 17 92		Seal sleeve (14)-16 MM	1		1	
340	678 58 12		Cable clip (10)-12 MM	1	1	1	1
340	678 58 16		Cable clip (14)-16 MM	1	1	1	1
340	678 58 16		Cable clip (14)-16 MM	1		1	
341	633 11 01		Gland screw 1 1/4" ISO.FOR METAL HOSE	1	1	1	1
341	633 11 04		Gland screw 1 1/2" NPT.FOR METAL HOSE	1	1	1	1
912	82 76 85		O-ring 17X3 NBR	3	3	3	3
912	82 79 15		O-ring 17X3 FPM	3	3	3	3

4 Hydraulic Unit

4.1 F_MT

Long fibrous manure, curve: 441 – 446

F_3153 MT, long fibrous manure

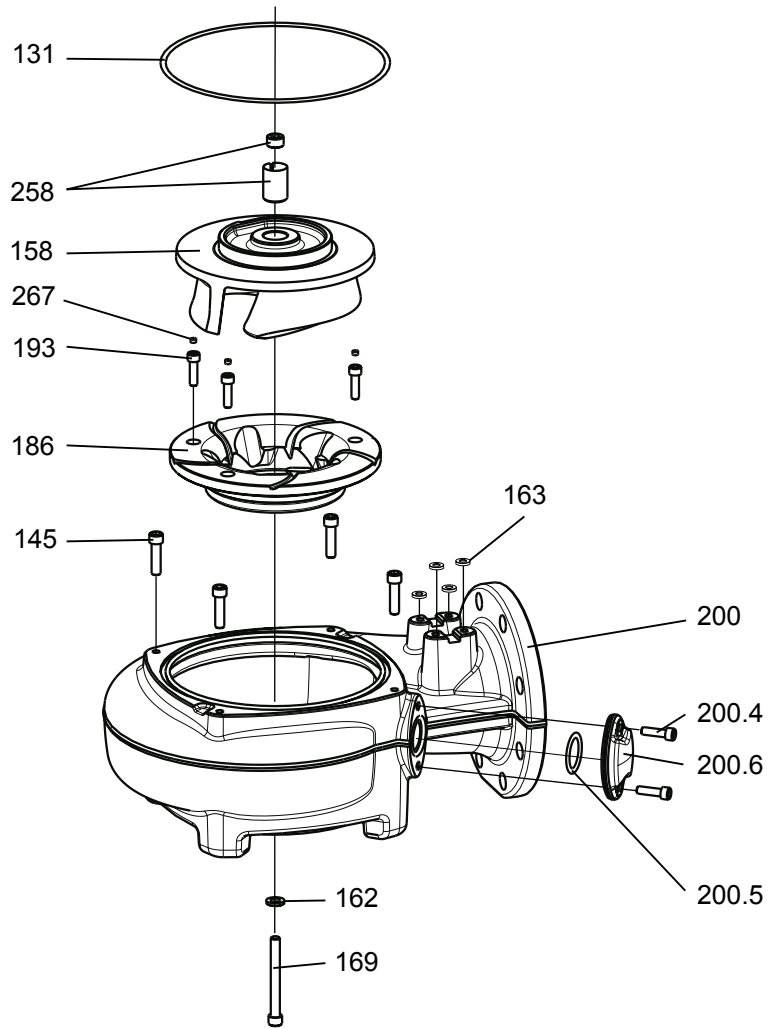


31546

4.2 F_ MT

Regular fibrous manure, curve: 431 – 437

F_ 3153 MT

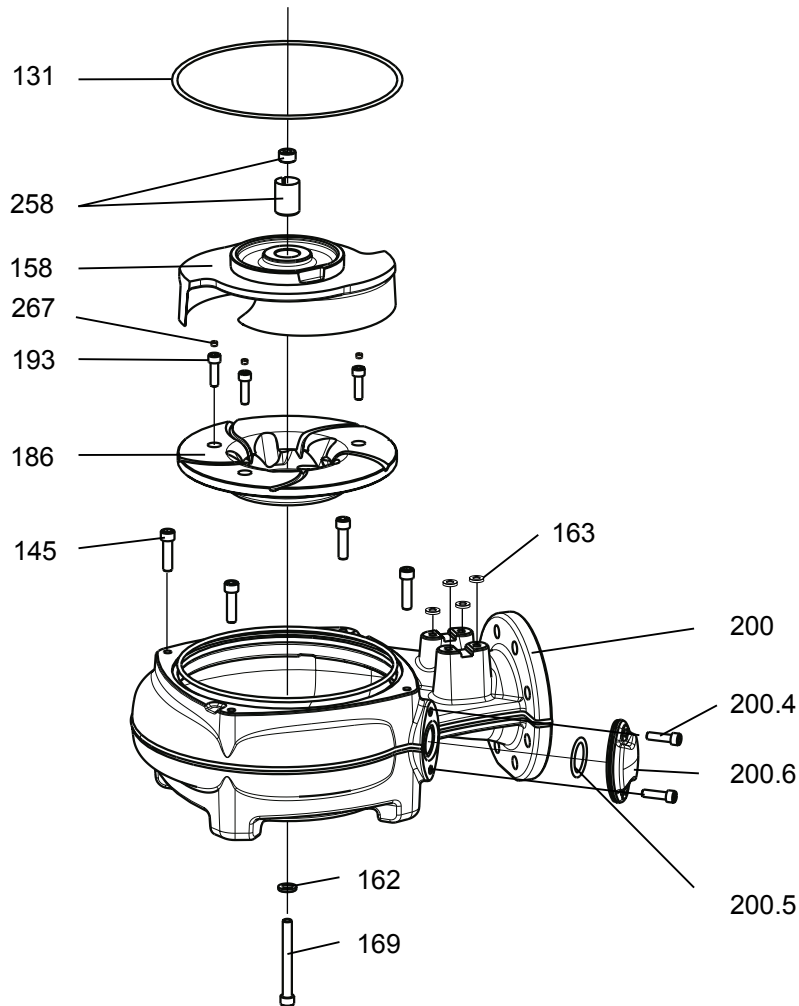


31264A

4.3 F_HT

Curve: 450, 451, 453 – 456, 458, 459, 461 – 466, 468, 469

F_3153 HT

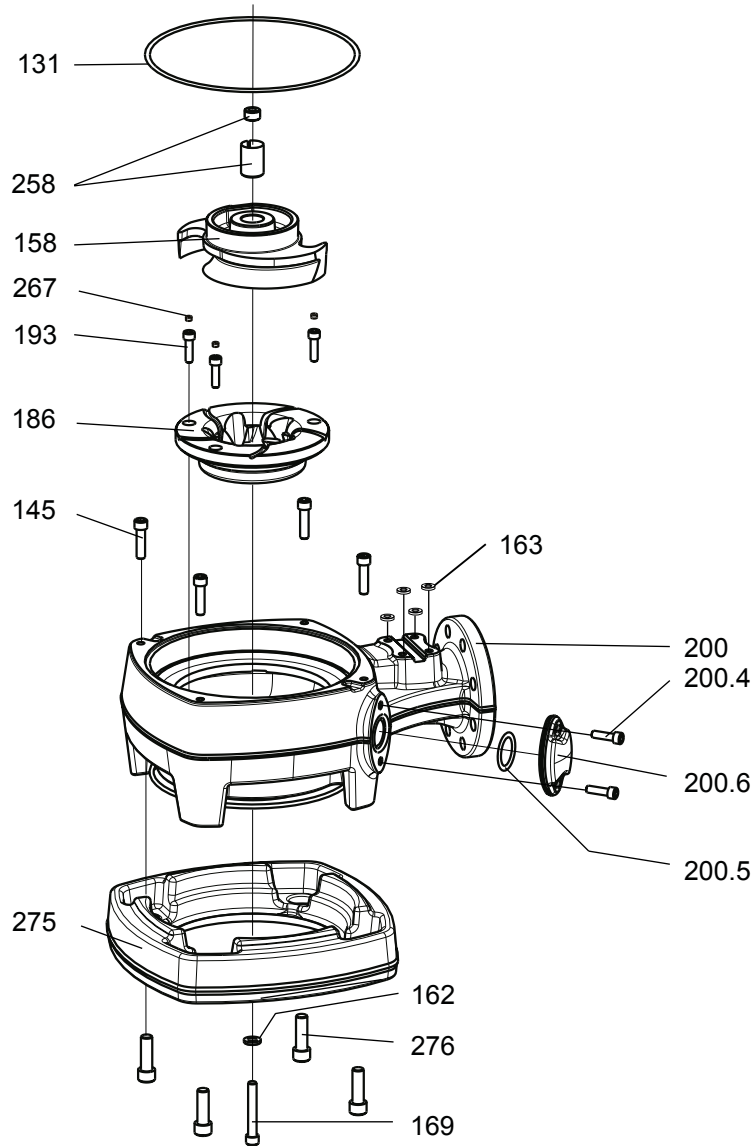


31263A

4.4 F_ SH

Long fibrous manure, curve: 277 – 279

F_ 3153 SH, long fibrous manure

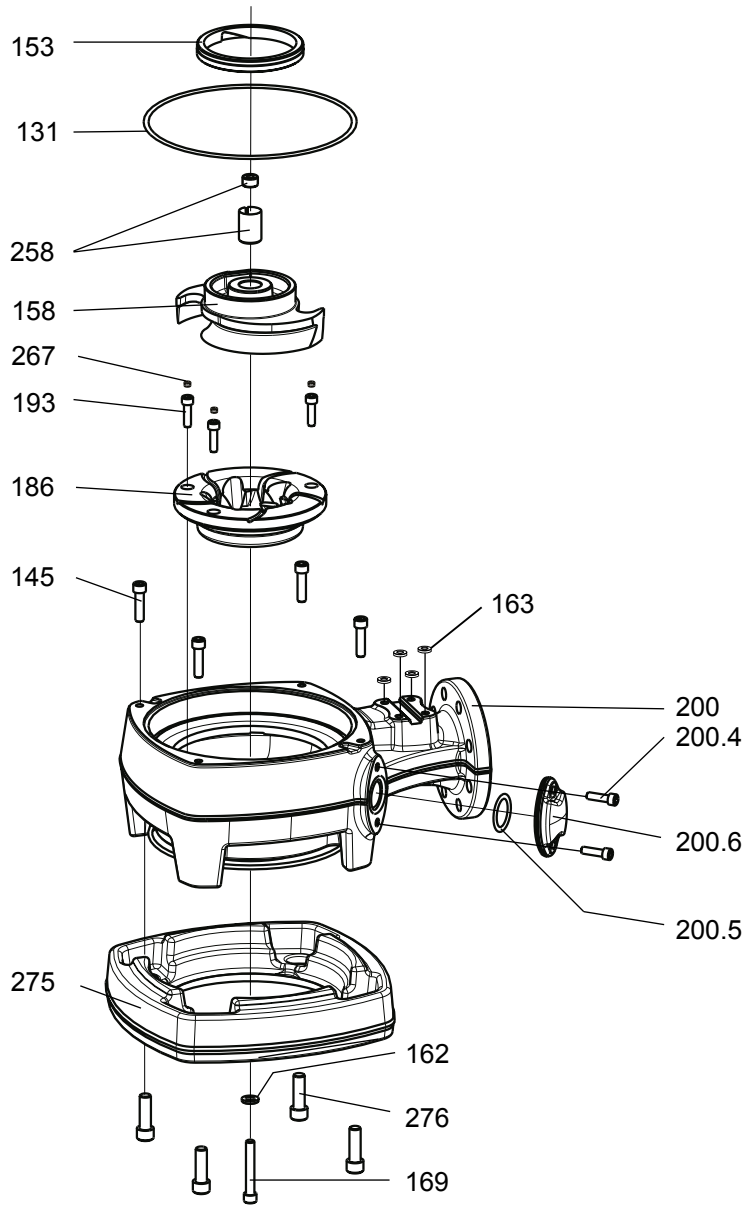


31342

4.5 F_SH

Regular fibrous manure, curve: 270, 272 – 276

F_3153 SH

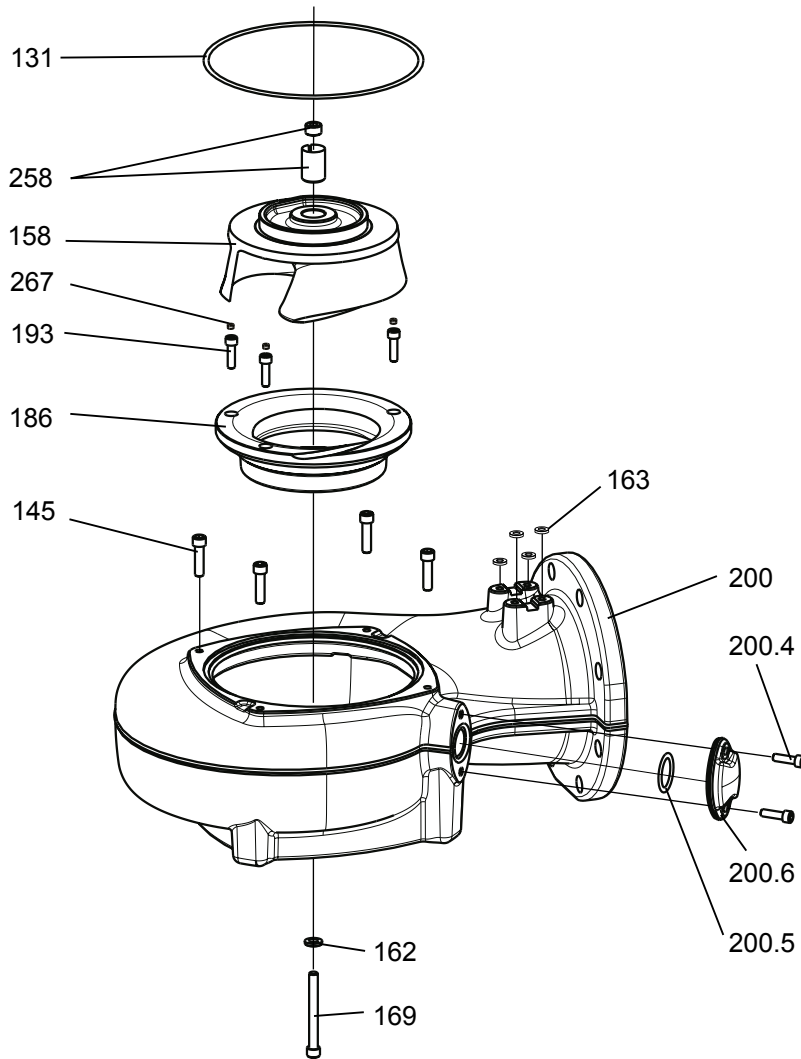


31262A

4.6 N_LT

4-pole, curve: 410 – 416

N_3153 LT

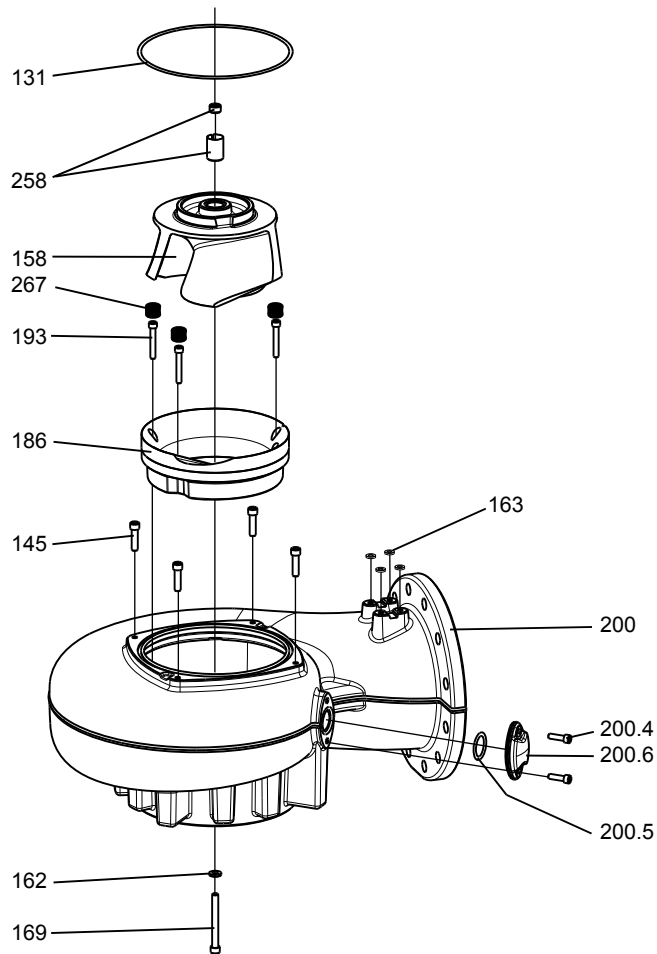


31261

4.7 N_LT

6-pole, curve: 620 – 625

N_ 3153 LT (6-pole)

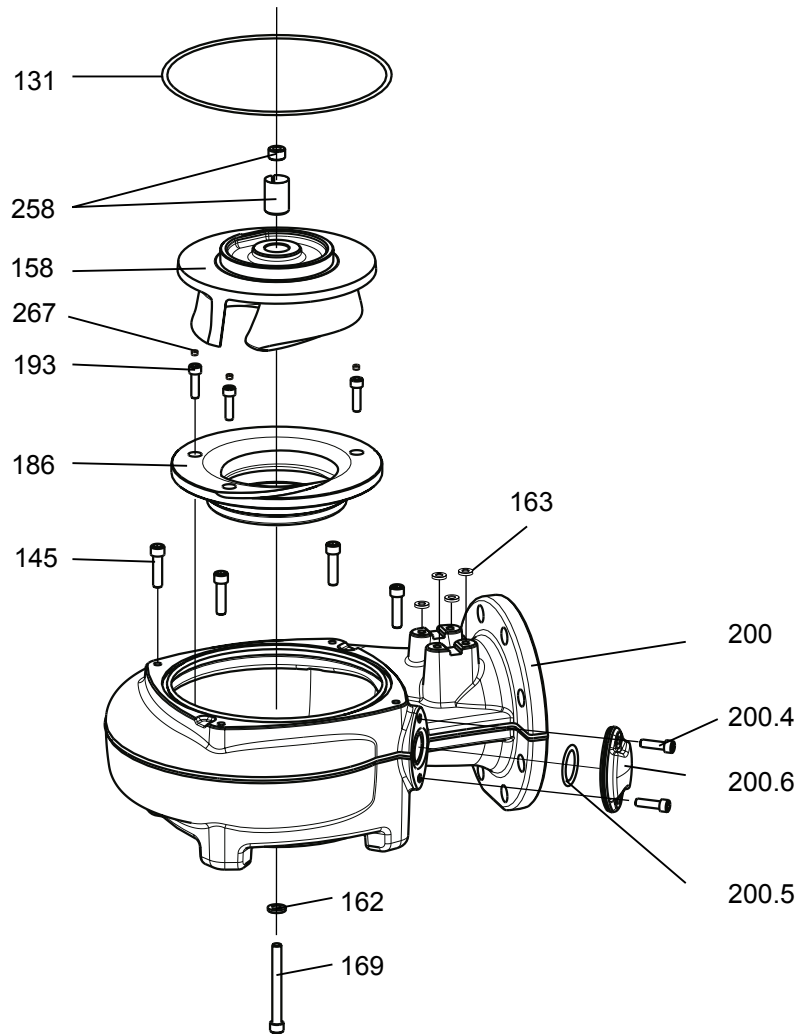


31364

4.8 N_MT

Curve: 430 – 437

N_3153 MT

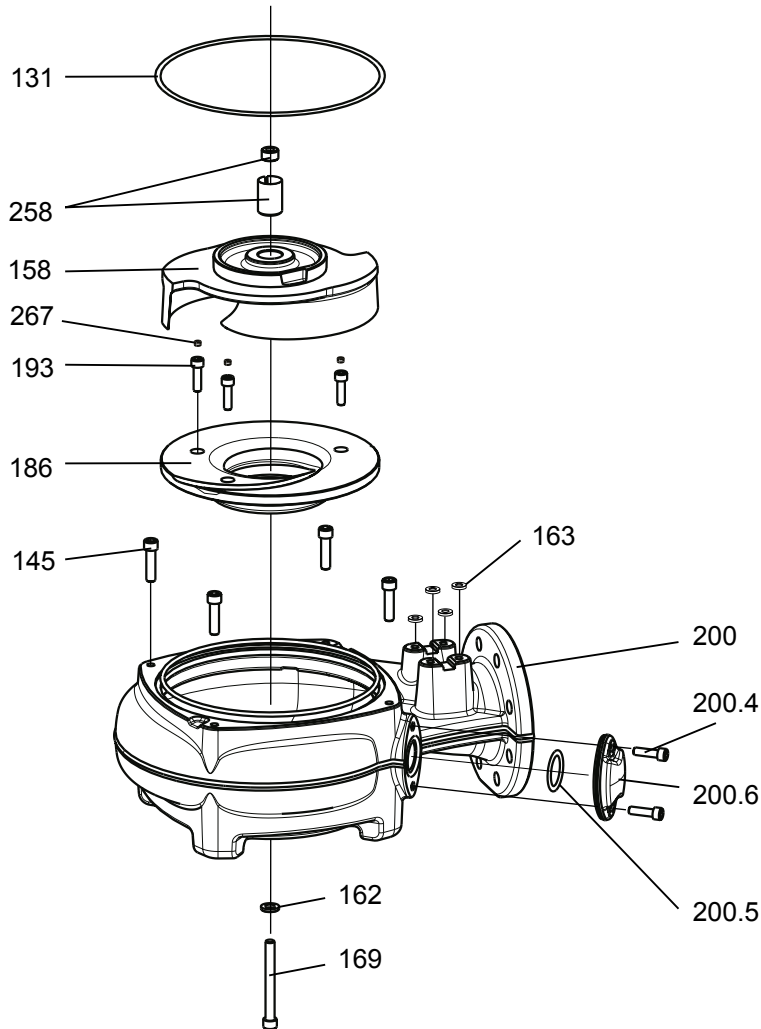


31260

4.9 N_HT

Curve: 250 – 256, 261 – 266

N_3153 HT

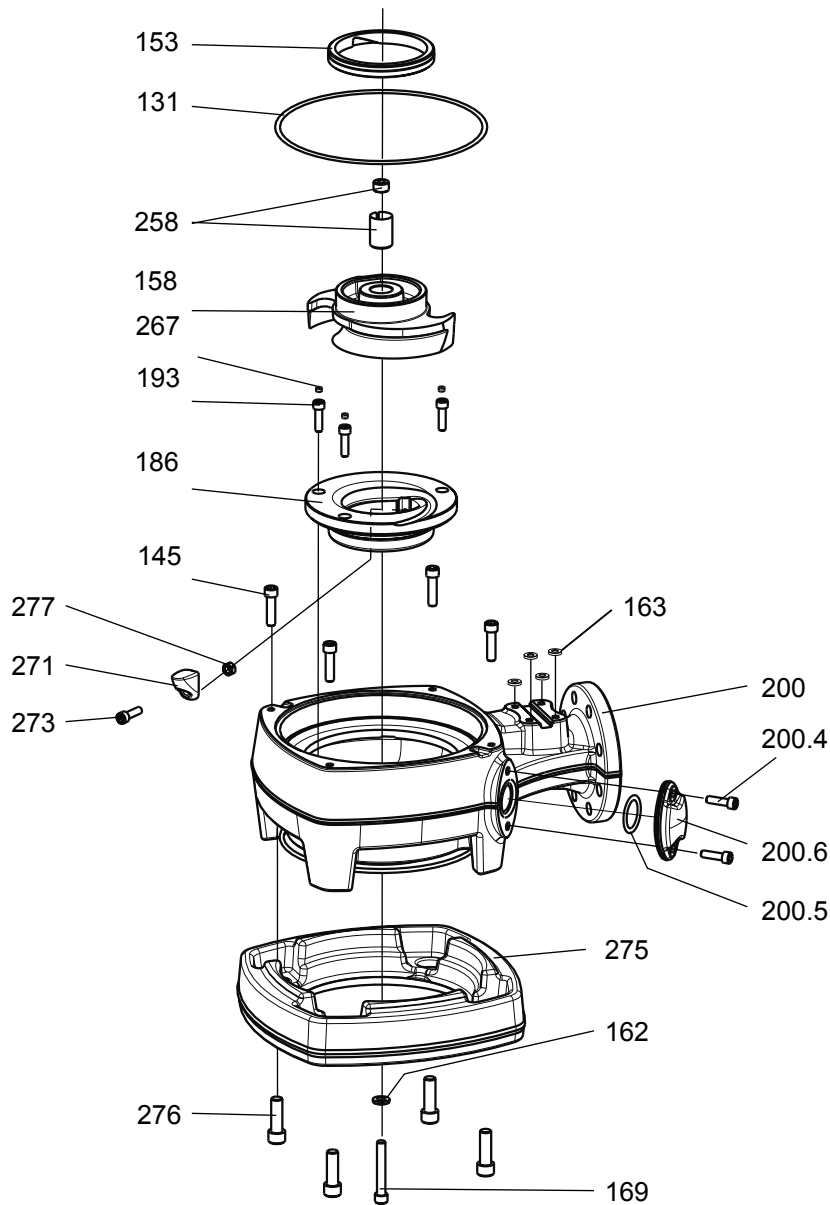


31259

4.10 N_SH

Curve: 270, 272 – 276

N_3153 SH



31258

4.11 3153.091/181/800/810

Pos. No	Part. No	Denomination	Qty/Version			
			091	181	800	810
131	82 75 01	O-ring 279.3X5.7 NBR	1	1	1	1
131	82 75 22	O-ring 279.3X5.7 FPM	1	1	1	1
153	681 28 00	Insert ring			1	1
158	696 50 00	Impeller 410 LT 50Hz	1	1		
158	696 50 10	Impeller 411 LT 50Hz	1	1	1	1
158	696 50 22	Impeller 412 LT 50Hz	1	1	1	1
158	696 50 33	Impeller 413 LT 50Hz	1	1	1	1
		413 LT 60Hz				
158	696 50 43	Impeller 414 LT 50Hz	1	1	1	1
		414 LT 60Hz				
158	696 50 57	Impeller 415 LT 50Hz	1	1	1	1
		415 LT 60Hz				
158	696 50 63	Impeller 416 LT 60Hz	1	1	1	1
158	654 77 00	Impeller 620 LT 50Hz	1	1		
158	654 77 15	Impeller 621 LT 50Hz	1	1		
158	654 77 30	Impeller 622 LT 50Hz	1	1		
		622 LT 60Hz				
158	654 77 45	Impeller 623 LT 50Hz	1	1		
		623 LT 60Hz				
158	654 77 62	Impeller 624LT 50Hz	1	1		
		624LT 60Hz				
158	654 77 81	Impeller 625 LT 50Hz	1	1		
		625LT 60Hz				
158	696 49 00	Impeller 430 MT 50Hz	1	1		
158	696 49 08	Impeller 431 MT 50Hz	1	1	1	1
158	696 49 20	Impeller 432 MT 50Hz	1	1	1	1
158	696 49 32	Impeller 433 MT 50Hz	1	1	1	1
		433 MT 60Hz				
158	696 49 42	Impeller 434 MT 50Hz	1	1	1	1
		434 MT 60Hz				
158	696 49 52	Impeller 435 MT 50Hz	1	1	1	1
		435 MT 60Hz				
158	696 49 65	Impeller 436MT 50Hz	1	1	1	1
		436 MT 60Hz				
158	696 49 75	Impeller 437 MT 60Hz	1	1	1	1
158	696 48 00	Impeller 450 HT 50Hz	1	1	1	1
158	696 48 14	Impeller 451 HT 50Hz	1	1	1	1
158	696 48 28	Impeller 453 HT 50Hz	1	1	1	1
		453 HT 60Hz				
158	696 48 39	Impeller 454 HT 50Hz	1	1	1	1
		454 HT 60Hz				
158	696 48 50	Impeller 455HT 50Hz	1	1	1	1
		455 HT 60Hz				

Pos. No	Part. No	Denomination	Qty/Version			
			091	181	800	810
158	696 48 60	Impeller 456 HT 50Hz 456 HT 60Hz	1	1	1	1
158	605 94 00	Impeller 461 HT 60Hz	1	1		
158	605 94 09	Impeller 462HT 60Hz	1	1	1	1
158	605 94 22	Impeller 463 HT 60Hz	1	1	1	1
158	605 94 32	Impeller 464 HT 60Hz	1	1	1	1
158	605 94 46	Impeller 465 HT 60Hz	1	1	1	1
158	605 94 55	Impeller 466 HT 60Hz	1	1	1	1
158	685 15 00	Impeller 270 SH 50Hz	1	1	1	1
158	685 15 18	Impeller 272 SH 50Hz	1	1	1	1
158	685 15 27	Impeller 273 SH 50Hz 273 SH 60Hz	1	1	1	1
158	685 15 39	Impeller 274 SH 50Hz 274 SH 60Hz	1	1	1	1
158	685 15 48	Impeller 275 SH 50Hz 275 SH 60Hz	1	1	1	1
158	685 15 57	Impeller 276 SH 50Hz 276 SH 60Hz	1	1	1	1
162	82 38 00	Plain washer STAINLESS STEEL A4	1	1	1	1
169	83 04 55	Hex.socket hd screw M12X110-A4-80 LT MT HT	1	1	1	1
169	83 04 66	Hex.socket hd screw M12X80-A4-80 SH	1	1	1	1
186	702 88 00	Insert ring LT DN 200	1	1	1	1
186	704 66 00	Insert ring LT DN 250	1	1		
186	702 28 00	Insert ring MT DN 150	1	1	1	1
186	702 82 00	Insert ring HT DN 100	1	1	1	1
186	702 85 00	Insert ring SH DN 80	1	1	1	1
186	702 85 01	Insert ring SH DN 100	1	1	1	1
193	83 04 56	Hex.socket hd screw M10X35-A4-80	3	3	3	3
193	83 04 56	Hex.socket hd screw M10X35-A4-80	1	3	3	1
193	82 00 60	Hex.socket hd screw M10X70-A2-70	3	3		
200	702 87 00	Pump housing LT N DN 200 Undrilled inlet Installation: P	1	1	1	1
200,4	83 04 56	Hex.socket hd screw M10X35-A4-80	2	2	2	2
200,5	82 81 93	O-ring 44,2X5,7 FPM	1	1	1	1
200,6	648 00 00	Cover	1	1	1	1
200	702 87 06	Pump housing LT N DN 200 Drilled acc. to: EN 1092-2 tab. 8 ANSI B16.1-89; tab.5 Installation: P S T X	1	1	1	1
200,4	83 04 56	Hex.socket hd screw M10X35-A4-80	2	2	2	2
200,5	82 81 93	O-ring 44,2X5,7 FPM	1	1	1	1
200,6	648 00 00	Cover	1	1	1	1
200	702 87 07	Pump housing LT N DN 200 Drilled acc. to: EN 1092-2 tab. 9 Installation: P T	1	1	1	1
200,4	83 04 56	Hex.socket hd screw M10X35-A4-80	2	2	2	2
200,5	82 81 93	O-ring 44,2X5,7 FPM	1	1	1	1

Pos. No	Part. No	Denomination	Qty/Version			
			091	181	800	810
200	200,6 648 00 00	Cover	1	1	1	1
	702 87 03	Pump housing LT N DN 200 Drilled inlet Prepared for zinc anodes (only for P and S installation) Installation: P T	1	1	1	1
	200,4 83 04 56	Hex.socket hd screw M10X35-A4-80	2	2	2	2
	200,5 82 81 93	O-ring 44,2X5,7 FPM	1	1	1	1
200	200,6 648 00 00	Cover	1	1	1	1
	702 87 36	Pump housing LT N DN 200 Drilled acc. to: ANSI B16.1-89; tab.5 EN 1092-2 tab. 8 Installation: X P S Z Drainage plug	1	1	1	1
	200,4 83 04 56	Hex.socket hd screw M10X35-A4-80	2	2	2	2
	200,5 82 81 93	O-ring 44,2X5,7 FPM	1	1	1	1
200	200,6 648 00 00	Cover	1	1	1	1
	702 87 37	Pump housing LT N DN 200 Drilled acc. to: EN 1092-2 tab. 9 Installation: P Z Drainage plug	1	1	1	1
	200,4 83 04 56	Hex.socket hd screw M10X35-A4-80	2	2	2	2
	200,5 82 81 93	O-ring 44,2X5,7 FPM	1	1	1	1
200	200,6 648 00 00	Cover	1	1	1	1
	704 65 00	Pump housing LT N DN 250 Undrilled inlet Installation: P	1	1		
	200	704 65 01	Pump housing LT N DN 250 Drilled acc. to: EN 1092-2 tab. 8 Installation: P S T X	1	1	
200	704 65 05	Pump housing LT N DN 250 Drilled acc. to: ANSI B16.1-89; tab.5 Installation: P T X	1	1		
200	704 65 07	Pump housing LT N DN 250 Drilled acc. to: EN 1092-2 tab. 9 Installation: P T	1	1		
200	704 65 03	Pump housing LT N DN 250 Drilled inlet Prepared for zinc anodes (only for P and S installation) Installation: P T	1	1		
200	704 65 31	Pump housing LT N DN 250 Drilled acc. to: EN 1092-2 tab. 8 Installation: X P S Z Drainage plug	1	1		
200	704 65 35	Pump housing LT N DN 250 Drilled acc. to: ANSI B16.1-89; tab.5 Installation: Z P X Drainage plug	1	1		
200	704 65 37	Pump housing LT N DN 250 Drilled acc. to: EN 1092-2 tab. 9 Installation: P Z Drainage plug	1	1		
200	702 27 00	Pump housing MT N DN 150 Undrilled inlet Installation: P	1	1	1	1
	200,4 83 04 56	Hex.socket hd screw M10X35-A4-80	2	2	2	2
	200,5 82 81 93	O-ring 44,2X5,7 FPM	1	1	1	1
200	200,6 648 00 00	Cover	1	1	1	1
	702 27 06	Pump housing MT N DN 150 Drilled acc. to: EN 1092-2 tab. 9 ANSI B16.1-89; tab.5 Installation: P S T X	1	1	1	1
	200,4 83 04 56	Hex.socket hd screw M10X35-A4-80	2	2	2	2
	200,5 82 81 93	O-ring 44,2X5,7 FPM	1	1	1	1
	200,6 648 00 00	Cover	1	1	1	1

Pos. No	Part. No	Denomination	Qty/Version			
			091	181	800	810
200	702 27 03	Pump housing MT N DN 150 Drilled inlet Prepared for zinc anodes (only for P and S installation) Installation: P T	1	1	1	1
	200,4 83 04 56	Hex.socket hd screw M10X35-A4-80	2	2	2	2
	200,5 82 81 93	O-ring 44,2X5,7 FPM	1	1	1	1
	200,6 648 00 00	Cover	1	1	1	1
200	702 27 36	Pump housing MT N DN 150 Drilled acc. to: ANSI B16.1-89; tab.5 EN 1092-2 tab. 9 Installation: P S X Z Drainage plug	1	1	1	1
	200,4 83 04 56	Hex.socket hd screw M10X35-A4-80	2	2	2	2
	200,5 82 81 93	O-ring 44,2X5,7 FPM	1	1	1	1
	200,6 648 00 00	Cover	1	1	1	1
200	702 81 00	Pump housing HT N DN 100 Undrilled inlet Installation: P	1	1	1	1
	200,4 83 04 56	Hex.socket hd screw M10X35-A4-80	2	2	2	2
	200,5 82 81 93	O-ring 44,2X5,7 FPM	1	1	1	1
	200,6 648 00 00	Cover	1	1	1	1
200	702 81 01	Pump housing HT N DN 100 Drilled acc. to: EN 1092-2 tab. 9 Installation: P S T X	1	1	1	1
	200,4 83 04 56	Hex.socket hd screw M10X35-A4-80	2	2	2	2
	200,5 82 81 93	O-ring 44,2X5,7 FPM	1	1	1	1
	200,6 648 00 00	Cover	1	1	1	1
200	702 81 05	Pump housing HT N DN 100 Drilled acc. to: ANSI B16.1-89; tab.5 Installation: P T X	1	1	1	1
	200,4 83 04 56	Hex.socket hd screw M10X35-A4-80	2	2	2	2
	200,5 82 81 93	O-ring 44,2X5,7 FPM	1	1	1	1
	200,6 648 00 00	Cover	1	1	1	1
200	702 81 03	Pump housing HT N DN 100 Drilled inlet Prepared for zinc anodes (only for P and S installation) Installation: P T	1	1	1	1
	200,4 83 04 56	Hex.socket hd screw M10X35-A4-80	2	2	2	2
	200,5 82 81 93	O-ring 44,2X5,7 FPM	1	1	1	1
	200,6 648 00 00	Cover	1	1	1	1
200	702 81 31	Pump housing HT N DN 100 Drilled acc. to: EN 1092-2 tab. 9 Installation: X P S Z Drainage plug	1	1	1	1
	200,4 83 04 56	Hex.socket hd screw M10X35-A4-80	2	2	2	2
	200,5 82 81 93	O-ring 44,2X5,7 FPM	1	1	1	1
	200,6 648 00 00	Cover	1	1	1	1
200	702 81 35	Pump housing HT N DN 100 Drilled acc. to: ANSI B16.1-89; tab.5 Installation: Z P X Drainage plug	1	1	1	1
	200,4 83 04 56	Hex.socket hd screw M10X35-A4-80	2	2	2	2
	200,5 82 81 93	O-ring 44,2X5,7 FPM	1	1	1	1
	200,6 648 00 00	Cover	1	1	1	1
200	702 84 00	Pump housing SH N Guide pin DN 80 Installation: P SH N DN 80 Installation: P	1	1	1	1
	200,4 83 04 56	Hex.socket hd screw M10X35-A4-80	2	2	2	2

Pos. No	Part. No	Denomination	Qty/Version				
			091	181	800	810	
200	200,5	82 81 93	O-ring 44,2X5,7 FPM	1	1	1	1
	200,6	648 00 00	Cover	1	1	1	1
	702 84 01	Pump housing	SH N DN 80 Drilled acc. to: EN 1092-2 tab. 9 Installation: P S T X	1	1	1	1
			SH N Guide pin DN 80 Drilled acc. to: EN 1092-2 tab. 9 Installation: P S T X				
200,4	83 04 56	Hex.socket hd screw M10X35-A4-80	2	2	2	2	
200	200,5	82 81 93	O-ring 44,2X5,7 FPM	1	1	1	1
	200,6	648 00 00	Cover	1	1	1	1
	702 84 05	Pump housing	SH N DN 80 Drilled acc. to: ANSI B16.1-89; tab.5 Installation: P T X	1	1	1	1
			SH N Guide pin DN 80 Drilled acc. to: ANSI B16.1-89; tab.5 Installation: P T X				
200,4	83 04 56	Hex.socket hd screw M10X35-A4-80	2	2	2	2	
200	200,5	82 81 93	O-ring 44,2X5,7 FPM	1	1	1	1
	200,6	648 00 00	Cover	1	1	1	1
	702 84 03	Pump housing	SH N DN 80 Drilled inlet Prepared for zinc anodes (only for P and S installation) Installation: P T	1	1	1	1
			SH N Guide pin DN 80 Drilled inlet Prepared for zinc anodes (only for P and S installation) Installation: P T				
200,4	83 04 56	Hex.socket hd screw M10X35-A4-80	2	2	2	2	
200	200,5	82 81 93	O-ring 44,2X5,7 FPM	1	1	1	1
	200,6	648 00 00	Cover	1	1	1	1
	702 84 10	Pump housing	With outlet sealing SH N Guide pin DN 80 Installation: P	1	1	1	1
			With outlet sealing SH N DN 80 Installation: P				
200,4	83 04 56	Hex.socket hd screw M10X35-A4-80	2	2	2	2	
200	200,5	82 81 93	O-ring 44,2X5,7 FPM	1	1	1	1
	200,6	648 00 00	Cover	1	1	1	1
	702 84 13	Pump housing	With outlet sealing SH N Guide pin DN 80 Drilled inlet Prepared for zinc anodes (only for P and S installation) Installation: P	1	1	1	1
			With outlet sealing SH N DN 80 Drilled inlet Prepared for zinc anodes (only for P and S installation) Installation: P				
200,4	83 04 56	Hex.socket hd screw M10X35-A4-80	2	2	2	2	
200	200,5	82 81 93	O-ring 44,2X5,7 FPM	1	1	1	1
	200,6	648 00 00	Cover	1	1	1	1
	702 84 20	Pump housing	With outlet sealing SH F N Guide pin DN 100 Installation: P	1	1	1	1
			With outlet sealing SH N DN 100 Installation: P				
200,4	83 04 56	Hex.socket hd screw M10X35-A4-80	2	2	2	2	
200	200,5	82 81 93	O-ring 44,2X5,7 FPM	1	1	1	1
	200,6	648 00 00	Cover	1	1	1	1

Pos. No	Part. No	Denomination	Qty/Version			
			091	181	800	810
200	702 84 23	Pump housing With outlet sealing SH F N Guide pin DN 100 Drilled inlet Prepared for zinc anodes (only for P and S installation) Installation: P With outlet sealing SH N DN 100 Drilled inlet Prepared for zinc anodes (only for P and S installation) Installation: P	1	1	1	1
	200,4 83 04 56	Hex.socket hd screw M10X35-A4-80	2	2	2	2
	200,5 82 81 93	O-ring 44,2X5,7 FPM	1	1	1	1
	200,6 648 00 00	Cover	1	1	1	1
200	702 84 31	Pump housing SH N Guide pin DN 80 Drilled acc. to: EN 1092-2 tab. 9 Installation: P X S Z Drainage plug	1	1	1	1
	200,4 83 04 56	Hex.socket hd screw M10X35-A4-80	2	2	2	2
	200,5 82 81 93	O-ring 44,2X5,7 FPM	1	1	1	1
	200,6 648 00 00	Cover	1	1	1	1
200	702 84 35	Pump housing SH N Guide pin DN 80 Drilled acc. to: ANSI B16.1-89; tab.5 Installation: Z P X Drainage plug	1	1	1	1
	200,4 83 04 56	Hex.socket hd screw M10X35-A4-80	2	2	2	2
	200,5 82 81 93	O-ring 44,2X5,7 FPM	1	1	1	1
	200,6 648 00 00	Cover	1	1	1	1
258	720 14 00	Sleeve unit	1	1		
258	720 14 01	Sleeve unit			1	1
267	725 06 00	Plug	3	3	3	3
267	725 06 00	Plug	1	3	3	1
271	703 22 00	Lip	1	1	1	1
273	83 04 56	Hex.socket hd screw M10X35-A4-80	1	1	1	1
275	679 01 01	Counter weight	1	1	1	1
276	82 01 07	Hex.socket hd screw M16X50-A2-70	4	4	4	4
277	82 23 33	Hexagon nut M10-A4-70	1	1	1	1

4.12 3153.095/185/820/830

Pos. No	Part. No	Denomination	Qty/Version			
			095	185	820	830
131	82 75 01	O-ring 279.3X5.7 NBR	1	1	1	1
131	82 75 22	O-ring 279.3X5.7 FPM	1	1	1	1
153	681 28 00	Insert ring			1	1
158	698 73 00	Impeller 410 LT 50Hz	1	1		
158	698 73 10	Impeller 411 LT 50Hz	1	1	1	1
158	698 73 22	Impeller 412 LT 50Hz	1	1	1	1
158	698 73 33	Impeller 413 LT 50Hz	1	1	1	1
158	698 73 43	Impeller 413 LT 60Hz 414 LT 50Hz 414 LT 60Hz	1	1	1	1

Pos. No	Part. No	Denomination	Qty/Version			
			095	185	820	830
158	698 73 57	Impeller	1	1	1	1
		415 LT 50Hz				
		415 LT 60Hz				
158	698 73 63	Impeller	1	1	1	1
158	704 36 00	Impeller	1	1		
158	704 36 15	Impeller	1	1		
158	704 36 30	Impeller	1	1		
		622 LT 50Hz				
		622 LT 60Hz				
158	704 36 45	Impeller	1	1		
		423 LT 50Hz				
		423 LT 60Hz				
158	704 36 62	Impeller	1	1		
		624 LT 50Hz				
		624 LT 60Hz				
158	704 36 81	Impeller	1	1		
		425 LT 50Hz				
		425 LT 60Hz				
158	698 72 00	Impeller	1	1		
158	698 72 08	Impeller	1	1	1	1
158	698 72 20	Impeller	1	1	1	1
158	698 72 32	Impeller	1	1	1	1
		433 MT 50Hz				
		433 MT 60Hz				
158	698 72 42	Impeller	1	1	1	1
		434 MT 50Hz				
		434 MT 60Hz				
158	698 72 52	Impeller	1	1	1	1
		435 MT 50Hz				
		435 MT 60Hz				
158	698 72 65	Impeller	1	1	1	1
		436 MT 50Hz				
		436 MT 60Hz				
158	698 72 75	Impeller	1	1	1	1
158	698 71 00	Impeller	1	1	1	1
158	698 71 14	Impeller	1	1	1	1
158	698 71 28	Impeller	1	1	1	1
158	698 71 39	Impeller	1	1	1	1
158	698 71 50	Impeller	1	1	1	1
158	698 71 60	Impeller	1	1	1	1
158	703 20 00	Impeller	1	1		
158	703 20 09	Impeller	1	1	1	1
158	703 20 22	Impeller	1	1	1	1
158	703 20 32	Impeller	1	1	1	1
158	703 20 46	Impeller	1	1	1	1
158	703 20 55	Impeller	1	1	1	1
158	699 26 01	Impeller	1	1	1	1
158	699 26 18	Impeller	1	1	1	1
158	699 26 27	Impeller	1	1	1	1
		273 SH 50Hz				
		273 SH 60Hz				
158	699 26 39	Impeller	1	1	1	1
		274 SH 50Hz				
		274 SH 60Hz				
158	699 26 48	Impeller	1	1	1	1
		275 SH 50Hz				
		275 SH 60Hz				

Pos. No	Part. No	Denomination	Qty/Version			
			095	185	820	830
158	699 26 57	Impeller 276 SH 50Hz 276 SH 60Hz	1	1	1	1
162	82 38 00	Plain washer STAINLESS STEEL A4	1	1	1	1
169	83 04 55	Hex.socket hd screw M12X110-A4-80 LT MT HT	1	1	1	1
169	83 04 66	Hex.socket hd screw M12X80-A4-80 SH	1	1	1	1
186	702 89 00	Insert ring LT DN 200	1	1	1	1
186	704 67 00	Insert ring LT DN 250	1	1		
186	702 29 00	Insert ring MT N DN 150	1	1	1	1
186	702 83 00	Insert ring HT N DN 100	1	1	1	1
186	702 86 00	Insert ring SH DN 80	1	1	1	1
186	702 86 01	Insert ring SH N DN 80	1	1	1	1
193	83 04 56	Hex.socket hd screw M10X35-A4-80	1/3	3	3	1/3
193	82 00 60	Hex.socket hd screw M10X70-A2-70	3	3		
200	702 87 00	Pump housing LT N DN 200 Undrilled inlet Installation: P	1	1	1	1
	200,4 83 04 56	Hex.socket hd screw M10X35-A4-80	2	2	2	2
	200,5 82 81 93	O-ring 44,2X5,7 FPM	1	1	1	1
	200,6 648 00 00	Cover	1	1	1	1
200	702 87 06	Pump housing LT N DN 200 Drilled acc. to: EN 1092-2 tab. 8 ANSI B16.1-89; tab.5 Installation: P S T X	1	1	1	1
	200,4 83 04 56	Hex.socket hd screw M10X35-A4-80	2	2	2	2
	200,5 82 81 93	O-ring 44,2X5,7 FPM	1	1	1	1
	200,6 648 00 00	Cover	1	1	1	1
200	702 87 07	Pump housing LT N DN 200 Drilled acc. to: EN 1092-2 tab. 9 Installation: P T	1	1	1	1
	200,4 83 04 56	Hex.socket hd screw M10X35-A4-80	2	2	2	2
	200,5 82 81 93	O-ring 44,2X5,7 FPM	1	1	1	1
	200,6 648 00 00	Cover	1	1	1	1
200	702 87 03	Pump housing LT N DN 200 Drilled inlet Prepared for zinc anodes (only for P and S installation) Installation: P T	1	1	1	1
	200,4 83 04 56	Hex.socket hd screw M10X35-A4-80	2	2	2	2
	200,5 82 81 93	O-ring 44,2X5,7 FPM	1	1	1	1
	200,6 648 00 00	Cover	1	1	1	1
200	702 87 36	Pump housing LT N DN 200 Drilled acc. to: ANSI B16.1-89; tab.5 EN 1092-2 tab. 8 Installation: X P S Z Drainage plug	1	1	1	1
	200,4 83 04 56	Hex.socket hd screw M10X35-A4-80	2	2	2	2
	200,5 82 81 93	O-ring 44,2X5,7 FPM	1	1	1	1
	200,6 648 00 00	Cover	1	1	1	1
200	702 87 37	Pump housing LT N DN 200 Drilled acc. to: EN 1092-2 tab. 9 Installation: P Z Drainage plug	1	1	1	1
	200,4 83 04 56	Hex.socket hd screw M10X35-A4-80	2	2	2	2
	200,5 82 81 93	O-ring 44,2X5,7 FPM	1	1	1	1
	200,6 648 00 00	Cover	1	1	1	1

Pos. No	Part. No	Denomination	Qty/Version			
			095	185	820	830
200	704 65 00	Pump housing LT N DN 250 Undrilled inlet Installation: P	1	1		
200	704 65 01	Pump housing LT N DN 250 Drilled acc. to: EN 1092-2 tab. 8 Installation: P S T X	1	1		
200	704 65 05	Pump housing LT N DN 250 Drilled acc. to: ANSI B16.1-89; tab.5 Installation: P T X	1	1		
200	704 65 07	Pump housing LT N DN 250 Drilled acc. to: EN 1092-2 tab. 9 Installation: P T	1	1		
200	704 65 03	Pump housing LT N DN 250 Drilled inlet Prepared for zinc anodes (only for P and S installation) Installation: P T	1	1		
200	704 65 31	Pump housing LT N DN 250 Drilled acc. to: EN 1092-2 tab. 8 Installation: P S X Z Drainage plug	1	1		
200	704 65 35	Pump housing LT N DN 250 Drilled acc. to: ANSI B16.1-89; tab.5 Installation: Z P X Drainage plug	1	1		
200	704 65 37	Pump housing LT N DN 250 Drilled acc. to: EN 1092-2 tab. 9 Installation: P Z Drainage plug	1	1		
200	702 27 00	Pump housing MT N DN 150 Undrilled inlet Installation: P	1	1	1	1
	200,4 83 04 56	Hex.socket hd screw M10X35-A4-80	2	2	2	2
	200,5 82 81 93	O-ring 44,2X5,7 FPM	1	1	1	1
	200,6 648 00 00	Cover	1	1	1	1
200	702 27 06	Pump housing MT N DN 150 Drilled acc. to: EN 1092-2 tab. 9 ANSI B16.1-89; tab.5 Installation: P S T X	1	1	1	1
	200,4 83 04 56	Hex.socket hd screw M10X35-A4-80	2	2	2	2
	200,5 82 81 93	O-ring 44,2X5,7 FPM	1	1	1	1
	200,6 648 00 00	Cover	1	1	1	1
200	702 27 03	Pump housing MT N DN 150 Drilled inlet Prepared for zinc anodes (only for P and S installation) Installation: P T	1	1	1	1
	200,4 83 04 56	Hex.socket hd screw M10X35-A4-80	2	2	2	2
	200,5 82 81 93	O-ring 44,2X5,7 FPM	1	1	1	1
	200,6 648 00 00	Cover	1	1	1	1
200	702 27 36	Pump housing MT N DN 150 Drilled acc. to: ANSI B16.1-89; tab.5 EN 1092-2 tab. 9 Installation: X P S Z Drainage plug	1	1	1	1
	200,4 83 04 56	Hex.socket hd screw M10X35-A4-80	2	2	2	2
	200,5 82 81 93	O-ring 44,2X5,7 FPM	1	1	1	1
	200,6 648 00 00	Cover	1	1	1	1
200	702 81 00	Pump housing HT N DN 100 Undrilled inlet Installation: P	1	1	1	1
	200,4 83 04 56	Hex.socket hd screw M10X35-A4-80	2	2	2	2
	200,5 82 81 93	O-ring 44,2X5,7 FPM	1	1	1	1
	200,6 648 00 00	Cover	1	1	1	1
200	702 81 01	Pump housing HT N DN 100 Drilled acc. to: EN 1092-2 tab. 9 Installation: P S T X	1	1	1	1
	200,4 83 04 56	Hex.socket hd screw M10X35-A4-80	2	2	2	2

Pos. No	Part. No	Denomination	Qty/Version			
			095	185	820	830
200	200,5 82 81 93	O-ring 44,2X5,7 FPM	1	1	1	1
	200,6 648 00 00	Cover	1	1	1	1
	702 81 05	Pump housing HT N DN 100 Drilled acc. to: ANSI B16.1-89; tab.5 Installation: P T X	1	1	1	1
200	200,4 83 04 56	Hex.socket hd screw M10X35-A4-80	2	2	2	2
	200,5 82 81 93	O-ring 44,2X5,7 FPM	1	1	1	1
	200,6 648 00 00	Cover	1	1	1	1
200	702 81 03	Pump housing HT N DN 100 Drilled inlet Prepared for zinc anodes (only for P and S installation) Installation: P T	1	1	1	1
	200,4 83 04 56	Hex.socket hd screw M10X35-A4-80	2	2	2	2
	200,5 82 81 93	O-ring 44,2X5,7 FPM	1	1	1	1
200	200,6 648 00 00	Cover	1	1	1	1
	702 81 31	Pump housing HT N DN 100 Drilled acc. to: EN 1092-2 tab. 9 Installation: X P S Z Drainage plug	1	1	1	1
	200,4 83 04 56	Hex.socket hd screw M10X35-A4-80	2	2	2	2
200	200,5 82 81 93	O-ring 44,2X5,7 FPM	1	1	1	1
	200,6 648 00 00	Cover	1	1	1	1
	702 81 35	Pump housing HT N DN 100 Drilled acc. to: ANSI B16.1-89; tab.5 Installation: Z P X Drainage plug	1	1	1	1
200	200,4 83 04 56	Hex.socket hd screw M10X35-A4-80	2	2	2	2
	200,5 82 81 93	O-ring 44,2X5,7 FPM	1	1	1	1
	200,6 648 00 00	Cover	1	1	1	1
200	702 84 00	Pump housing SH N DN 80 Installation: P	1	1	1	1
	200,4 83 04 56	Hex.socket hd screw M10X35-A4-80	2	2	2	2
	200,5 82 81 93	O-ring 44,2X5,7 FPM	1	1	1	1
200	200,6 648 00 00	Cover	1	1	1	1
	702 84 01	Pump housing SH N DN 80 Drilled acc. to: EN 1092-2 tab. 9 Installation: P S T X	1	1	1	1
	200,4 83 04 56	Hex.socket hd screw M10X35-A4-80	2	2	2	2
200	200,5 82 81 93	O-ring 44,2X5,7 FPM	1	1	1	1
	200,6 648 00 00	Cover	1	1	1	1
	702 84 05	Pump housing SH N DN 80 Drilled acc. to: ANSI B16.1-89; tab.5 Installation: P T X	1	1	1	1
200	200,4 83 04 56	Hex.socket hd screw M10X35-A4-80	2	2	2	2
	200,5 82 81 93	O-ring 44,2X5,7 FPM	1	1	1	1
	200,6 648 00 00	Cover	1	1	1	1
200	702 84 03	Pump housing SH N DN 80 Drilled inlet Prepared for zinc anodes (only for P and S installation) Installation: P T	1	1	1	1
	200,4 83 04 56	Hex.socket hd screw M10X35-A4-80	2	2	2	2
	200,5 82 81 93	O-ring 44,2X5,7 FPM	1	1	1	1
200	200,6 648 00 00	Cover	1	1	1	1
	702 84 10	Pump housing SH N DN 80 Installation: P	1	1	1	1
	200,4 83 04 56	Hex.socket hd screw M10X35-A4-80	2	2	2	2
200,5 82 81 93	O-ring 44,2X5,7 FPM	1	1	1	1	

Pos. No	Part. No	Denomination	Qty/Version			
			095	185	820	830
200	200,6 648 00 00	Cover	1	1	1	1
	702 84 13	Pump housing With outlet sealing SH N DN 80 Drilled inlet Prepared for zinc anodes (only for P and S installation) Installation: P	1	1	1	1
	200,4 83 04 56	Hex.socket hd screw M10X35-A4-80	2	2	2	2
	200,5 82 81 93	O-ring 44,2X5,7 FPM	1	1	1	1
200	200,6 648 00 00	Cover	1	1	1	1
	702 84 20	Pump housing With outlet sealing SH N DN 100 Installation: P	1	1	1	1
	200,4 83 04 56	Hex.socket hd screw M10X35-A4-80	2	2	2	2
	200,5 82 81 93	O-ring 44,2X5,7 FPM	1	1	1	1
200	200,6 648 00 00	Cover	1	1	1	1
	702 84 23	Pump housing With outlet sealing SH N DN 100 Drilled inlet Prepared for zinc anodes (only for P and S installation) Installation: P	1	1	1	1
	200,4 83 04 56	Hex.socket hd screw M10X35-A4-80	2	2	2	2
	200,5 82 81 93	O-ring 44,2X5,7 FPM	1	1	1	1
200	200,6 648 00 00	Cover	1	1	1	1
	702 84 31	Pump housing With outlet sealing SH N Guide pin DN 80 Drilled acc. to: EN 1092-2 tab. 9 Installation: X P S Z Drainage plug	1	1	1	1
	200,4 83 04 56	Hex.socket hd screw M10X35-A4-80	2	2	2	2
	200,5 82 81 93	O-ring 44,2X5,7 FPM	1	1	1	1
200	200,6 648 00 00	Cover	1	1	1	1
	702 84 35	Pump housing SH N Guide pin DN 80 Drilled acc. to: ANSI B16.1-89; tab.5 Installation: Z P X Drainage plug	1	1	1	1
	200,4 83 04 56	Hex.socket hd screw M10X35-A4-80	2	2	2	2
	200,5 82 81 93	O-ring 44,2X5,7 FPM	1	1	1	1
	200,6 648 00 00	Cover	1	1	1	1
258	720 14 00	Sleeve unit	1	1		
258	720 14 01	Sleeve unit			1	1
267	725 06 00	Plug	3	3	3	3
267	725 06 00	Plug	1	3	3	1
271	703 22 00	Lip	1	1	1	1
273	83 04 56	Hex.socket hd screw M10X35-A4-80	1	1	1	1
275	679 01 01	Counter weight	1	1	1	1
276	82 01 07	Hex.socket hd screw M16X50-A2-70	4	4	4	4
277	82 23 33	Hexagon nut M10-A4-70	1	1	1	1

4.13 3153.660/670/860/870

Pos. No	Part. No	Denomination	Qty/Version			
			660	670	860	870
131	82 75 01	O-ring 279.3X5.7 NBR	1	1	1	1
131	82 75 22	O-ring 279.3X5.7 FPM	1	1	1	1
158	766 02 00	Impeller 430 MT 50Hz	1	1		

Pos. No	Part. No	Denomination	Qty/Version			
			660	670	860	870
158	766 02 08	Impeller 431 MT 50Hz	1	1	1	1
158	766 02 20	Impeller 432 MT 50Hz	1	1	1	1
158	766 02 32	Impeller 433 MT 50Hz	1	1	1	1
		433 MT 60Hz				
158	766 02 42	Impeller 434 MT 50Hz	1	1	1	1
158	766 02 52	Impeller 435 MT 50Hz	1	1	1	1
		435 MT 60Hz				
158	766 02 65	Impeller 436 MT 50Hz	1	1	1	1
		436 MT 60Hz				
158	766 02 75	Impeller 437 MT 60Hz	1	1	1	1
158	766 01 00	Impeller 450 HT 50Hz	1	1	1	1
158	766 01 14	Impeller 451 HT 50Hz	1	1	1	1
158	766 01 28	Impeller 453 HT 50Hz	1	1	1	1
		453 HT 50Hz				
158	766 01 39	Impeller 454 HT 50Hz	1	1	1	1
158	766 01 50	Impeller 455 HT 50Hz	1	1	1	1
158	766 01 60	Impeller 456 HT 50Hz	1	1	1	1
162	82 38 00	Plain washer STAINLESS STEEL A4	1	1	1	1
169	83 04 55	Hex.socket hd screw M12X110-A4-80	1	1	1	1
186	702 28 00	Insert ring MT DN 150	1	1	1	1
186	702 82 00	Insert ring HT DN 100	1	1	1	1
193	83 04 56	Hex.socket hd screw M10X35-A4-80	3	3	3	3
200	702 27 06	Pump housing MT DN 150 Drilled acc. to: EN 1092-2 tab. 9 ANSI B16.1-89; tab.5	1	1	1	1
	200,4	83 04 56 Hex.socket hd screw M10X35-A4-80	2	2	2	2
	200,5	82 81 93 O-ring 44,2X5,7 FPM	1	1	1	1
	200,6	648 00 00 Cover	1	1	1	1
200	702 27 03	Pump housing MT DN 150 Drilled inlet Prepared for zinc anodes (only for P and S installation)	1	1	1	1
	200,4	83 04 56 Hex.socket hd screw M10X35-A4-80	2	2	2	2
	200,5	82 81 93 O-ring 44,2X5,7 FPM	1	1	1	1
	200,6	648 00 00 Cover	1	1	1	1
200	702 81 01	Pump housing HT DN 100 Drilled acc. to: EN 1092-2 tab. 9	1	1	1	1
	200,4	83 04 56 Hex.socket hd screw M10X35-A4-80	2	2	2	2
	200,5	82 81 93 O-ring 44,2X5,7 FPM	1	1	1	1
	200,6	648 00 00 Cover	1	1	1	1
200	702 81 03	Pump housing HT DN 100 Drilled inlet Prepared for zinc anodes (only for P and S installation)	1	1	1	1
	200,4	83 04 56 Hex.socket hd screw M10X35-A4-80	2	2	2	2
	200,5	82 81 93 O-ring 44,2X5,7 FPM	1	1	1	1
	200,6	648 00 00 Cover	1	1	1	1
258	720 14 00	Sleeve unit	1	1		
258	720 14 01	Sleeve unit			1	1
267	725 06 00	Plug	3	3	3	3

4.14 3153.350/390/840/850

Pos. No	Part. No	Denomination	Qty/Version			
			350	390	840	850
131	82 75 01	O-ring 279.3X5.7 NBR	1	1	1	1
131	82 75 22	O-ring 279.3X5.7 FPM	1	1	1	1
153	761 28 00	Insert ring MT	1	1	1	1
153	681 28 00	Insert ring SH	1	1	1	1
158	698 72 08	Impeller 431 MT 50Hz	1	1	1	1
158	698 72 20	Impeller 432 MT 50Hz	1	1	1	1
158	698 72 32	Impeller 433 MT 50Hz	1	1	1	1
158	698 72 42	Impeller 434 MT 50Hz	1	1	1	1
		434 MT 60Hz				
158	698 72 52	Impeller 435 MT 50Hz	1	1	1	1
		435 MT 60Hz				
158	698 72 65	Impeller 436 MT 50Hz	1	1	1	1
		436 MT 60Hz				
158	698 72 75	Impeller 437 MT 60Hz	1	1	1	1
158	761 27 11	Impeller 441 Long fibrous manure MT 50Hz	1	1	1	1
158	761 27 20	Impeller 442 Long fibrous manure MT 50Hz	1	1	1	1
158	761 27 32	Impeller 443 Long fibrous manure MT 50Hz	1	1	1	1
158	761 27 42	Impeller 444 Long fibrous manure MT 50Hz	1	1	1	1
		444 Long fibrous manure MT 60Hz				
158	761 27 52	Impeller 445 Long fibrous manure MT 50Hz	1	1	1	1
		445 Long fibrous manure MT 60Hz				
158	761 27 65	Impeller 446 Long fibrous manure MT 50Hz	1	1	1	1
		446 Long fibrous manure MT 60Hz				
158	761 27 75	Impeller 447 Long fibrous manure MT 60Hz	1	1	1	1
158	698 71 00	Impeller 450 HT 50Hz 3-phase	1	1	1	1
158	698 71 14	Impeller 451 HT 50Hz	1	1	1	1
158	698 71 28	Impeller 453 HT 50Hz	1	1	1	1
158	698 71 39	Impeller 454 HT 50Hz	1	1	1	1
158	698 71 50	Impeller 455 HT 50Hz	1	1	1	1
158	698 71 60	Impeller 456 HT 50Hz	1	1	1	1
158	700 78 14	Impeller 458 Long fibrous manure HT 50Hz	1	1	1	1
158	700 78 39	Impeller 459 Long fibrous manure HT 50Hz	1	1	1	1
158	703 20 00	Impeller 461 HT 60Hz	1	1		
158	703 20 09	Impeller 462 HT 60Hz	1	1		
158	703 20 22	Impeller 463 HT 60Hz	1	1	1	1
158	703 20 32	Impeller 464 HT 60Hz	1	1	1	1
158	703 20 46	Impeller 465 HT 60Hz	1	1	1	1
158	703 20 55	Impeller 466 HT 60Hz	1	1	1	1
158	703 21 09	Impeller 468 Long fibrous manure HT 60Hz	1	1	1	1
158	703 21 32	Impeller 469 Long fibrous manure HT 60Hz	1	1	1	1
158	699 26 18	Impeller 272 SH 50Hz	1	1	1	1
158	699 26 27	Impeller 273 SH 50Hz	1	1	1	1
		273 SH 60Hz				

Pos. No	Part. No	Denomination	Qty/Version			
			350	390	840	850
158	699 26 39	Impeller 274 Long fibrous manure SH 50Hz 274 Long fibrous manure SH 60Hz	1	1	1	1
158	699 26 48	Impeller 275 SH 50Hz 275 SH 60Hz	1	1	1	1
158	699 26 57	Impeller 276 SH 50Hz 276 SH 60Hz	1	1	1	1
158	699 26 54	Impeller 279 Long fibrous manure SH 50Hz 279 Long fibrous manure SH 60Hz	1	1	1	1
162	82 38 00	Plain washer STAINLESS STEEL A4	1	1	1	1
169	83 04 55	Hex.socket hd screw M12X110-A4-80 MT HT	1	1	1	1
169	83 04 66	Hex.socket hd screw M12X80-A4-80 SH	1	1	1	1
186	702 70 00	Insert ring MT DN 150	1	1	1	1
186	702 71 00	Insert ring HT DN 100	1	1	1	1
186	702 72 00	Insert ring SH DN 80	1	1	1	1
193	83 04 56	Hex.socket hd screw M10X35-A4-80	3	3	3	3
193	83 04 56	Hex.socket hd screw M10X35-A4-80	3	1	3	1
200	702 27 00	Pump housing MT DN 150 Undrilled inlet Installation: P	1	1	1	1
200,4	83 04 56	Hex.socket hd screw M10X35-A4-80	2	2	2	2
200,5	82 81 93	O-ring 44,2X5,7 FPM	1	1	1	1
200,6	648 00 00	Cover	1	1	1	1
200	702 27 06	Pump housing MT DN 150 Drilled acc. to: EN 1092-2 tab. 9 ANSI B16.1-89; tab.5 Installation: P S T X	1	1	1	1
200,4	83 04 56	Hex.socket hd screw M10X35-A4-80	2	2	2	2
200,5	82 81 93	O-ring 44,2X5,7 FPM	1	1	1	1
200,6	648 00 00	Cover	1	1	1	1
200	702 27 03	Pump housing MT DN 150 Drilled inlet Prepared for zinc anodes (only for P and S installation) Installation: P T	1	1	1	1
200,4	83 04 56	Hex.socket hd screw M10X35-A4-80	2	2	2	2
200,5	82 81 93	O-ring 44,2X5,7 FPM	1	1	1	1
200,6	648 00 00	Cover	1	1	1	1
200	702 27 36	Pump housing MT DN 150 Drilled acc. to: EN 1092-2 tab. 9 ANSI B16.1-89; tab.5 Installation: X P S Z Drainage plug	1	1	1	1
200,4	83 04 56	Hex.socket hd screw M10X35-A4-80	2	2	2	2
200,5	82 81 93	O-ring 44,2X5,7 FPM	1	1	1	1
200,6	648 00 00	Cover	1	1	1	1
200	702 81 00	Pump housing HT DN 100 Undrilled inlet Installation: P	1	1	1	1
200,4	83 04 56	Hex.socket hd screw M10X35-A4-80	2	2	2	2
200,5	82 81 93	O-ring 44,2X5,7 FPM	1	1	1	1
200,6	648 00 00	Cover	1	1	1	1
200	702 81 01	Pump housing HT DN 100 Drilled acc. to: EN 1092-2 tab. 9 Installation: P S T X	1	1	1	1
200,4	83 04 56	Hex.socket hd screw M10X35-A4-80	2	2	2	2
200,5	82 81 93	O-ring 44,2X5,7 FPM	1	1	1	1

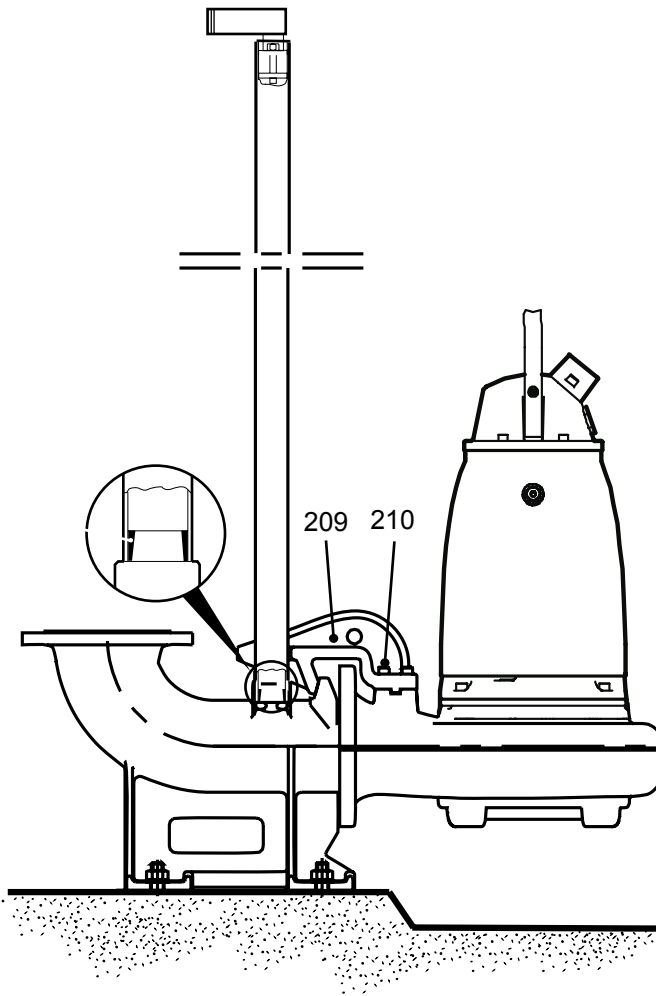
Pos. No	Part. No	Denomination	Qty/Version			
			350	390	840	850
200	200,6 648 00 00	Cover	1	1	1	1
	702 81 05	Pump housing HT DN 100 Drilled acc. to: ANSI B16.1-89; tab.5 Installation: P T X	1	1	1	1
	200,4 83 04 56	Hex.socket hd screw M10X35-A4-80	2	2	2	2
	200,5 82 81 93	O-ring 44,2X5,7 FPM	1	1	1	1
200	200,6 648 00 00	Cover	1	1	1	1
	702 81 03	Pump housing HT DN 100 Drilled inlet Prepared for zinc anodes (only for P and S installation) Installation: P T	1	1	1	1
	200,4 83 04 56	Hex.socket hd screw M10X35-A4-80	2	2	2	2
	200,5 82 81 93	O-ring 44,2X5,7 FPM	1	1	1	1
200	200,6 648 00 00	Cover	1	1	1	1
	702 81 31	Pump housing HT DN 100 Drilled acc. to: EN 1092-2 tab. 9 Installation: X P S Z Drainage plug	1	1	1	1
	200,4 83 04 56	Hex.socket hd screw M10X35-A4-80	2	2	2	2
	200,5 82 81 93	O-ring 44,2X5,7 FPM	1	1	1	1
200	200,6 648 00 00	Cover	1	1	1	1
	702 81 35	Pump housing HT DN 100 Drilled acc. to: ANSI B16.1-89; tab.5 Installation: Z P X Drainage plug	1	1	1	1
	200,4 83 04 56	Hex.socket hd screw M10X35-A4-80	2	2	2	2
	200,5 82 81 93	O-ring 44,2X5,7 FPM	1	1	1	1
200	200,6 648 00 00	Cover	1	1	1	1
	702 84 00	Pump housing SH DN 80 Installation: P	1	1	1	1
	200,4 83 04 56	Hex.socket hd screw M10X35-A4-80	2	2	2	2
	200,5 82 81 93	O-ring 44,2X5,7 FPM	1	1	1	1
200	200,6 648 00 00	Cover	1	1	1	1
	702 84 01	Pump housing SH DN 80 Drilled acc. to: EN 1092-2 tab. 9 Installation: P S T X	1	1	1	1
	200,4 83 04 56	Hex.socket hd screw M10X35-A4-80	2	2	2	2
	200,5 82 81 93	O-ring 44,2X5,7 FPM	1	1	1	1
200	200,6 648 00 00	Cover	1	1	1	1
	702 84 05	Pump housing SH DN 80 Drilled acc. to: ANSI B16.1-89; tab.5 Installation: P T X	1	1	1	1
	200,4 83 04 56	Hex.socket hd screw M10X35-A4-80	2	2	2	2
	200,5 82 81 93	O-ring 44,2X5,7 FPM	1	1	1	1
200	200,6 648 00 00	Cover	1	1	1	1
	702 84 03	Pump housing SH DN 80 Drilled inlet Prepared for zinc anodes (only for P and S installation) Installation: P T	1	1	1	1
	200,4 83 04 56	Hex.socket hd screw M10X35-A4-80	2	2	2	2
	200,5 82 81 93	O-ring 44,2X5,7 FPM	1	1	1	1
200	200,6 648 00 00	Cover	1	1	1	1
	702 84 10	Pump housing With outlet sealing SH DN 80 Installation: P	1	1	1	1
	200,3 84 90 93	Seal ring	1	1		
	200,4 83 04 56	Hex.socket hd screw M10X35-A4-80	2	2	2	2

Pos. No	Part. No	Denomination	Qty/Version			
			350	390	840	850
200	200,5 82 81 93	O-ring 44,2X5,7 FPM	1	1	1	1
	200,6 648 00 00	Cover	1	1	1	1
	702 84 13	Pump housing	1	1	1	1
		With outlet sealing SH DN 80 Drilled inlet Prepared for zinc anodes (only for P and S installation) Installation: P				
	200,3 84 90 93	Seal ring	1	1		
	200,4 83 04 56	Hex.socket hd screw M10X35-A4-80	2	2	2	2
200	200,5 82 81 93	O-ring 44,2X5,7 FPM	1	1	1	1
	200,6 648 00 00	Cover	1	1	1	1
	702 84 20	Pump housing	1	1	1	1
		With outlet sealing SH DN 100 Installation: P				
	200,3 84 90 94	Seal ring	1	1		
	200,4 83 04 56	Hex.socket hd screw M10X35-A4-80	2	2	2	2
200	200,5 82 81 93	O-ring 44,2X5,7 FPM	1	1	1	1
	200,6 648 00 00	Cover	1	1	1	1
	702 84 23	Pump housing	1	1	1	1
		With outlet sealing SH DN 100 Drilled inlet Prepared for zinc anodes (only for P and S installation) Installation: P				
	200,3 84 90 94	Seal ring	1	1		
	200,4 83 04 56	Hex.socket hd screw M10X35-A4-80	2	2	2	2
200	200,5 82 81 93	O-ring 44,2X5,7 FPM	1	1	1	1
	200,6 648 00 00	Cover	1	1	1	1
	702 84 31	Pump housing	1	1	1	1
		SH DN 80 Drilled acc. to: EN 1092-2 tab. 9 Installation: P X S Z Drainage plug				
	200,4 83 04 56	Hex.socket hd screw M10X35-A4-80	2	2	2	2
	200,5 82 81 93	O-ring 44,2X5,7 FPM	1	1	1	1
200	200,6 648 00 00	Cover	1	1	1	1
	702 84 35	Pump housing	1	1	1	1
		SH DN 80 Drilled acc. to: ANSI B16.1-89; tab.5 Installation: Z P X Drainage plug				
	200,4 83 04 56	Hex.socket hd screw M10X35-A4-80	2	2	2	2
	200,5 82 81 93	O-ring 44,2X5,7 FPM	1	1	1	1
	200,6 648 00 00	Cover	1	1	1	1
258	720 14 00	Sleeve unit	1	1		
258	720 14 01	Sleeve unit			1	1
267	725 06 00	Plug	3	3	3	3
267	725 06 00	Plug	3	1	3	1
275	679 01 01	Counter weight	1	1	1	1
276	82 01 07	Hex.socket hd screw M16X50-A2-70	4	4	4	4

5 Installation Components

5.1 FP/NP

FP/NP 3153

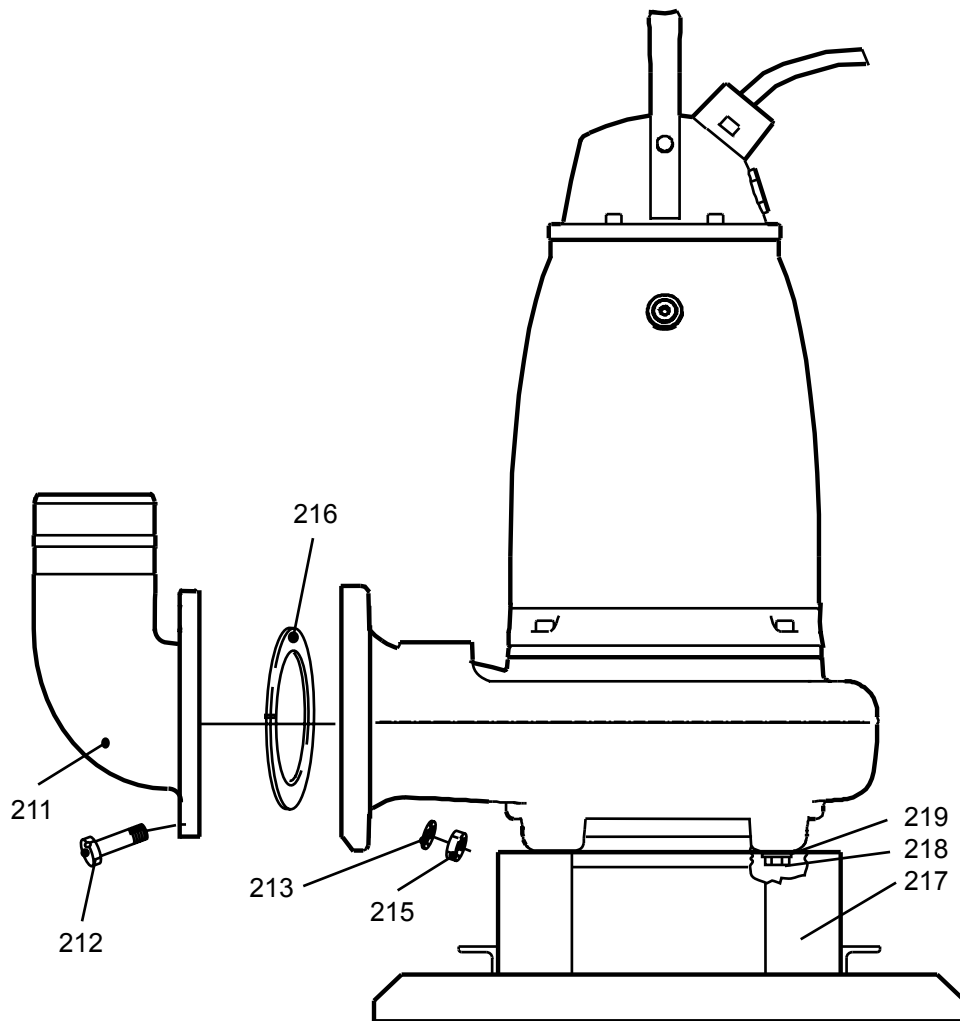


30582D

5.2 FS/NS

Hose

FS/NS 3153

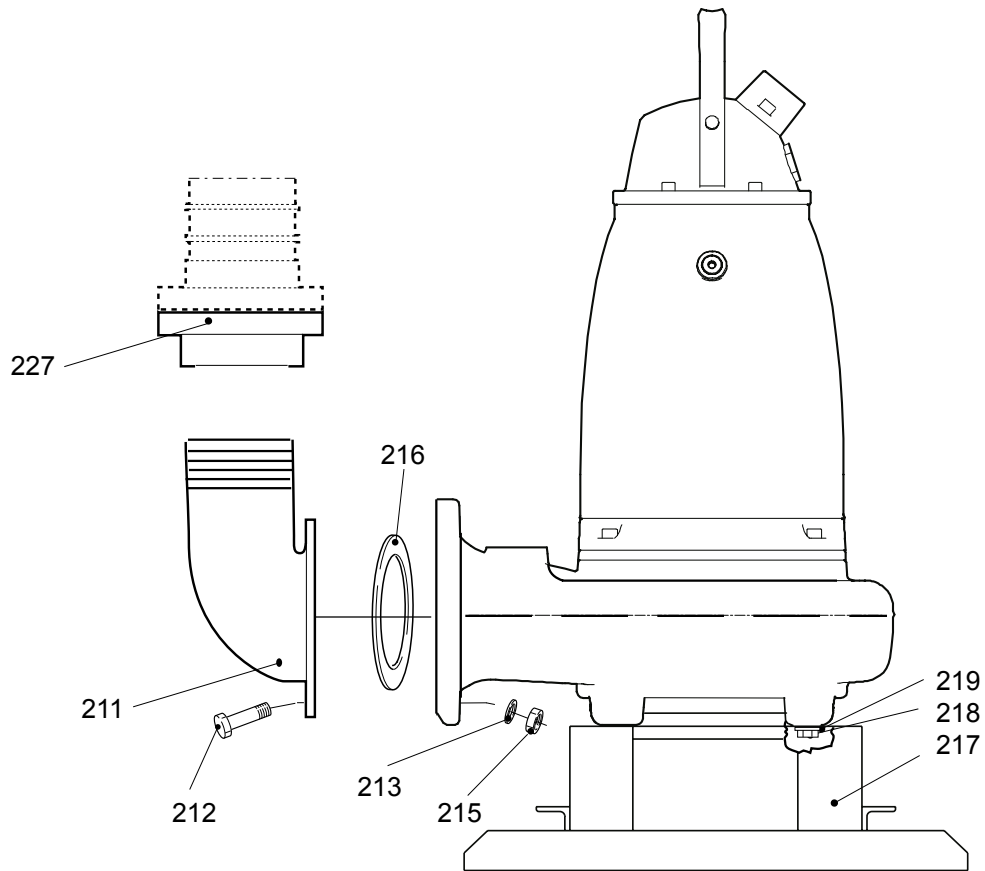


30783

5.3 FS/NS

Quick coupling

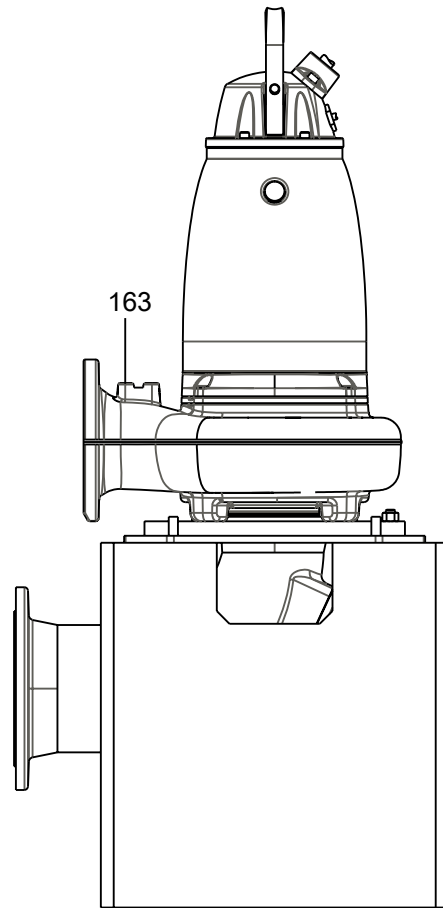
FS/NS 3153



30792

5.4 FT/NT

FT/NT 3153



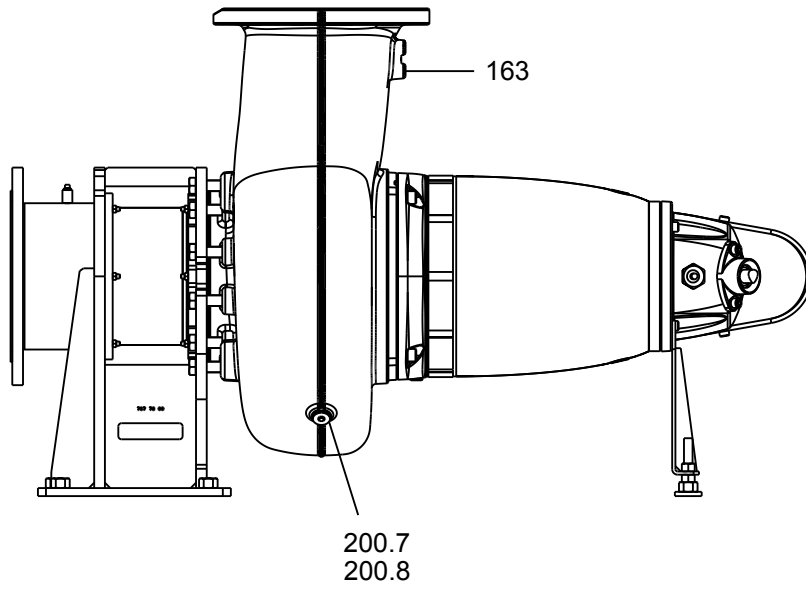
31486

5.5 FZ/NZ

Standard design

FZ/NZ 3153

Alt. 1

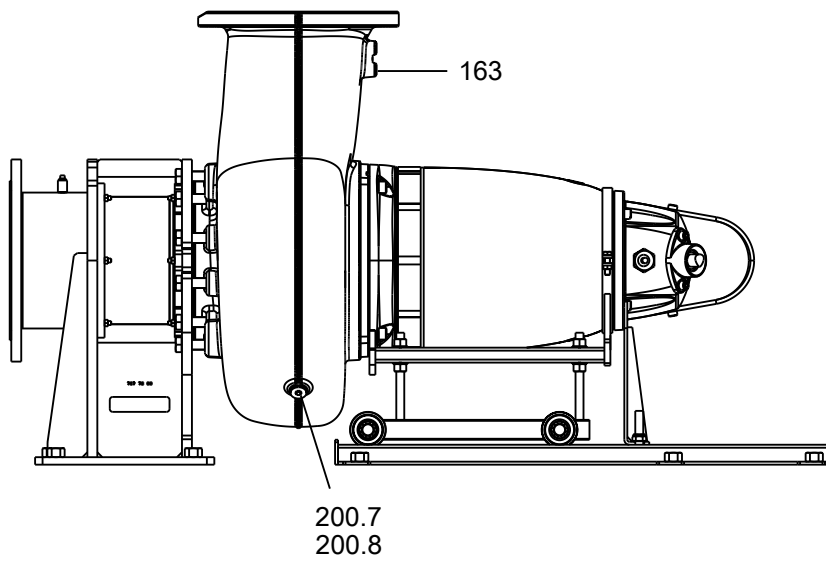


31489

Alternative design, with service cart

FZ/NZ 3153

Alt. 2



31490

For more information, refer to Mechanical Installation Equipment on TPI.

5.6 3153.091/181/800/810

Pos. No	Part. No	Denomination	Qty/Version				
			091	181	800	810	
163	82 69 40	Protective plug	4	4	4	4	
	200,7 80 14 40	Plug	1	1	1	1	
	200,8 80 14 42	Gasket	1	1	1	1	
209	651 07 01	Sliding bracket	1	1	1	1	
210	83 04 53	Hex.socket hd screw M12X45-A4-80	4	4	4	4	
211	479 26 00	Discharge connection	LT DN 250	1	1	1	1
211	379 32 00	Discharge connection	LT DN 200	1	1	1	1
211	281 79 00	Discharge connection	LT DN 200	1	1	1	1
211	295 57 00	Discharge connection	MT DN 150	1	1	1	1
211	309 31 00	Discharge connection	MT Thread : 6-8 NPSM Outer DN 150	1	1	1	1
211	309 31 01	Discharge connection	MT Thread : ISO G6A Outer Quick coupling: Storz DN 150	1	1	1	1
211	259 82 04	Discharge connection	HT DN 100	1	1	1	1
211	259 84 05	Discharge connection	HT Thread : 4-8 NPSM Outer DN 100	1	1	1	1
211	259 84 06	Discharge connection	HT Thread : ISO G4A Outer Quick coupling: Storz diam=115 mm DN 100 HT Thread : ISO G4A Outer DN 100 HT Thread : ISO G4A Outer Quick coupling: Storz diam=133 mm DN 100	1	1	1	1
211	310 03 01	Discharge connection	SH DN 75	1	1	1	1
211	385 52 03	Discharge connection 3-8 NPSM	SH Thread : 3-8 NPSM Outer DN 75	1	1	1	1
211	385 52 04	Discharge connection ISO G3	SH Thread : ISO G3 Outer DN 75	1	1	1	1
212	84 34 34	Hexagon head screw M20X80-A2-70	LT	4	4	4	4
212	84 34 34	Hexagon head screw M20X80-A2-70	LT	12	12	12	12
212	84 34 34	Hexagon head screw M20X80-A2-70	LT	8	8		8
212	84 34 32	Hexagon head screw M20X70-A2-70	MT	8	8	8	8
212	84 34 07	Hexagon head screw M16X60-A2-70	HT	4	4	4	4
212	81 49 36	Hexagon head screw M16X65-A4-70	SH	4	4	4	4
213	82 35 26	Plain washer 20-A2-A-170	MT	8	8	8	8
213	82 35 23	Plain washer 16-A2-A-170	HT SH	8	4	4	8
213	82 35 23	Plain washer 16-A2-A-170	HT SH	4	4	4	4
215	82 23 62	Hexagon nut M20-A2-70	LT MT	4	4	4	4
215	82 23 62	Hexagon nut M20-A2-70	LT MT	12	12	12	12
215	82 23 62	Hexagon nut M20-A2-70	LT MT	8	8	8	8
215	82 23 61	Hexagon nut M16-A2-70	HT SH	4	4	4	4
216	384 45 00	Gasket 8"	LT	1	1	1	1
216	283 19 00	Gasket 8"	LT	1	1	1	1
216	295 64 00	Gasket 6"	MT	1	1	1	1
216	259 83 00	Gasket 4"	HT	1	1	1	1
216	310 05 00	Gasket	SH	1	1	1	1
217	380 92 02	Stand compl.	LT	1	1	1	1
217	380 92 01	Stand compl.	LT	1	1	1	1
217	396 11 00	Stand compl.	MT HT SH	1	1	1	1

Pos. No	Part. No	Denomination	Qty/Version				
			091	181	800	810	
217	608 23 02	Stand	Optional	1	1	1	1
218	84 34 32	Hexagon head screw M20X70-A2-70	LT	4	4	4	4
218	84 34 05	Hexagon head screw M16X50-A2-70	LT	4	4		4
218	84 34 03	Hexagon head screw M16X40-A2-70	MT HT SH	4	4	4	4
218	84 34 11	Hexagon head screw M16X80-A2-70	LT			4	
218	84 34 28	Hexagon head screw M20X50-A2-70 (ONLY TRSP)	LT			4	
219	82 35 26	Plain washer 20-A2-A-170	LT	8	8	8	8
219	82 35 26	Plain washer 20-A2-A-170	LT	16	16	16	16
219	82 35 26	Plain washer 20-A2-A-170	LT	12	12	12	12
219	82 37 85	Plain washer	MT HT SH	4	4	4	4
227	83 19 36	Coupling part	MT	1	1	1	1
227	83 19 34	Coupling part DN110 INNER THREAD G4	HT Quick coupling: Storz diam=133 mm	1	1	1	1
227	83 19 33	Coupling part	HT Quick coupling: Storz diam=115 mm		1	1	

5.7 3153.095/185/820/830

Pos. No	Part. No	Denomination	Qty/Version				
			095	185	820	830	
163	82 69 40	Protective plug		4	4	4	4
	200,7 80 14 40	Plug		1	1	1	1
	200,8 80 14 42	Gasket		1	1	1	1
209	651 07 01	Sliding bracket		1	1	1	1
210	83 04 53	Hex.socket hd screw M12X45-A4-80		4	4	4	4
211	479 26 00	Discharge connection	LT DN 250	1	1	1	1
211	379 32 00	Discharge connection	LT DN 200	1	1	1	1
211	281 79 00	Discharge connection	LT DN 200	1	1	1	1
211	295 57 00	Discharge connection	MT DN 150	1	1	1	1
211	309 31 00	Discharge connection	MT Thread : 6-8 NPSM Outer DN 150	1	1	1	1
211	309 31 01	Discharge connection	MT Thread : ISO G6A Outer Quick coupling: Storz DN 150	1	1	1	1
211	259 82 04	Discharge connection	Installation S HT DN 100	1	1	1	1
211	259 84 05	Discharge connection	HT Thread : 4-8 NPSM Outer DN 100	1	1	1	1
211	259 84 06	Discharge connection	HT Thread : ISO G4A Outer Quick coupling: Storz diam= 133 mm DN 100 HT Thread : ISO G4A Outer Quick coupling: Storz diam=115 mm DN 100 HT Thread : ISO G4A Outer DN 100	1	1	1	1
211	310 03 01	Discharge connection	SH DN 75	1	1	1	1
211	385 52 03	Discharge connection 3-8 NPSM	SH Thread : 3-8 NPSM Outer DN 75	1	1	1	1
211	385 52 04	Discharge connection ISO G3	SH Thread : ISO G3 Outer DN 75	1	1	1	1
212	84 34 34	Hexagon head screw M20X80-A2-70	LT	4	4	4	4
212	84 34 34	Hexagon head screw M20X80-A2-70	LT	12	12	12	12
212	84 34 34	Hexagon head screw M20X80-A2-70	LT	8	8	8	8

Pos. No	Part. No	Denomination	Qty/Version			
			095	185	820	830
212	84 34 32	Hexagon head screw M20X70-A2-70 MT	8	8	8	8
212	84 34 07	Hexagon head screw M16X60-A2-70 HT	4	4	4	4
212	81 49 36	Hexagon head screw M16X65-A4-70 SH	4	4	4	4
213	82 35 26	Plain washer 20-A2-A-170 MT	8	8	8	8
213	82 35 23	Plain washer 16-A2-A-170 HT SH	8	4	4	8
213	82 35 23	Plain washer 16-A2-A-170 HT SH	4	4	4	4
215	82 23 62	Hexagon nut M20-A2-70 LT MT	4	4	4	4
215	82 23 62	Hexagon nut M20-A2-70 LT MT	12	12	12	12
215	82 23 62	Hexagon nut M20-A2-70 LT MT	8	8	8	8
215	82 23 61	Hexagon nut M16-A2-70	4	4	4	4
216	384 45 00	Gasket 8" LT 6-pole	1	1	1	1
216	283 19 00	Gasket 8" LT 4-pole	1	1	1	1
216	295 64 00	Gasket 6" MT	1	1	1	1
216	259 83 00	Gasket 4" HT	1	1	1	1
216	310 05 00	Gasket SH	1	1	1	1
217	380 92 02	Stand compl. LT	1	1	1	1
217	380 92 01	Stand compl. LT	1	1	1	1
217	396 11 00	Stand compl. MT HT SH	1	1	1	1
217	608 23 02	Stand Optional	1	1	1	1
218	84 34 32	Hexagon head screw M20X70-A2-70 LT	4	4	4	4
218	84 34 05	Hexagon head screw M16X50-A2-70 LT	4	4	4	4
218	84 34 03	Hexagon head screw M16X40-A2-70 MT HT SH	4	4	4	4
219	82 35 26	Plain washer 20-A2-A-170 LT	8	8	8	8
219	82 35 26	Plain washer 20-A2-A-170 LT	16	16	16	16
219	82 35 26	Plain washer 20-A2-A-170 LT	12	12	12	12
219	82 37 85	Plain washer MT HT SH	4	4	4	4
219	82 38 01	Plain washer STAINLESS STEEL A4 HT Quick coupling: Storz diam=115 mm			4	
227	83 19 36	Coupling part MT	1	1	1	1
227	83 19 34	Coupling part DN110 INNER THREAD G4 HT Quick coupling: Storz diam=133 mm	1	1	1	1
227	83 19 33	Coupling part HT Quick coupling: Storz diam=115 mm		1	1	

5.8 3153.660/670/860/870

Pos. No	Part. No	Denomination	Qty/Version			
			660	670	860	870
163	82 69 40	Protective plug	4	4	4	4
209	651 07 01	Sliding bracket	1	1	1	1
210	83 04 53	Hex.socket hd screw M12X45-A4-80	4	4	4	4
211	295 57 00	Discharge connection MT DN 150	1	1	1	1
211	309 31 00	Discharge connection MT Thread : 6-8 NPSM Outer DN 150	1	1	1	1
211	309 31 01	Discharge connection MT Thread : ISO G6A Outer Quick coupling: Storz DN 150	1	1	1	1

Pos. No	Part. No	Denomination	Qty/Version			
			660	670	860	870
211	259 84 06	Discharge connection HT Thread : ISO G4A Outer Quick coupling: Storz diam=115 mm DN 100 HT Thread : ISO G4A Outer DN 100 HT Thread : ISO G4A Outer Quick coupling: Storz diam=133 mm DN 100	1		1	
211	259 82 04	Discharge connection HT DN 100	1	1	1	1
211	259 84 05	Discharge connection HT Thread : 4-8 NPSM Outer DN 100	1	1	1	1
211	259 84 06	Discharge connection HT Thread : ISO G4A Outer Quick coupling: Storz diam=115 mm DN 100 HT Thread : ISO G4A Outer DN 100 HT Thread : ISO G4A Outer Quick coupling: Storz diam=133 mm DN 100	1	1	1	1
212	84 34 32	Hexagon head screw M20X70-A2-70 MT	8	8	8	8
212	84 34 07	Hexagon head screw M16X60-A2-70 HT	4		4	
212	84 34 07	Hexagon head screw M16X60-A2-70 HT	4	4	4	4
213	82 35 26	Plain washer 20-A2-A-170 MT	8	8	8	8
213	82 35 23	Plain washer 16-A2-A-170 HT	4		4	
213	82 35 23	Plain washer 16-A2-A-170 HT	4	8	4	8
213	82 35 23	Plain washer 16-A2-A-170 HT	4	4	4	4
215	82 23 62	Hexagon nut M20-A2-70 MT	8	8	8	8
215	82 23 61	Hexagon nut M16-A2-70 HT	4		4	
215	82 23 61	Hexagon nut M16-A2-70 HT	4	4	4	4
216	295 64 00	Gasket 6" MT	1	1	1	1
216	259 83 00	Gasket 4" HT	1	1	1	1
217	396 11 00	Stand compl. MT HT	1	1	1	1
217	608 23 02	Stand Optional	1	1	1	1
218	84 34 03	Hexagon head screw M16X40-A2-70	4	4	4	4
219	82 37 85	Plain washer	4	4	4	4
227	83 19 36	Coupling part MT	1	1	1	1
227	83 19 33	Coupling part HT Quick coupling: Storz diam=115 mm	1		1	
227	83 19 34	Coupling part DN110 INNER THREAD G4 HT Quick coupling: Storz diam=133 mm	1	1	1	1

5.9 3153.350/390/840/850

Pos. No	Part. No	Denomination	Qty/Version			
			350	390	840	850
163	82 69 40	Protective plug	4	4	4	4
	200,7 80 14 40	Plug	1	1	1	1
	200,8 80 14 42	Gasket	1	1	1	1
209	651 07 01	Sliding bracket	1	1	1	1
210	83 04 53	Hex.socket hd screw M12X45-A4-80	4	4	4	4
211	295 57 00	Discharge connection MT DN 150	1	1	1	1
211	309 31 00	Discharge connection MT Thread : 6-8 NPSM Outer DN 150	1	1	1	1
211	309 31 01	Discharge connection MT Thread : ISO G6A Outer Quick coupling: Storz DN 150	1	1	1	1

Pos. No	Part. No	Denomination	Qty/Version			
			350	390	840	850
211	259 84 06	Discharge connection HT Thread : ISO G4A Outer Quick coupling: Storz diam=115 mm DN 100 HT Thread : ISO G4A Outer DN 100 HT Thread : ISO G4A Outer Quick coupling: Storz diam=133 mm DN 100	1		1	
211	259 82 04	Discharge connection HT DN 100	1	1	1	1
211	259 84 05	Discharge connection HT Thread : 4-8 NPSM Outer DN 100	1	1	1	1
211	259 84 06	Discharge connection HT Thread : ISO G4A Outer Quick coupling: Storz diam=115 mm DN 100 HT Thread : ISO G4A Outer DN 100 HT Thread : ISO G4A Outer Quick coupling: Storz diam=133 mm DN 100	1	1	1	1
211	310 03 01	Discharge connection SH DN 75	1	1	1	1
211	385 52 03	Discharge connection 3-8 NPSM SH Thread : 3-8 NPSM Outer DN 75	1	1	1	1
211	385 52 04	Discharge connection ISO G3 SH Thread : ISO G3 Outer DN 75	1	1	1	1
212	84 34 32	Hexagon head screw M20X70-A2-70 MT	8	8	8	8
212	84 34 07	Hexagon head screw M16X60-A2-70 HT	4	4	4	4
212	81 49 36	Hexagon head screw M16X65-A4-70 SH	4	4	4	4
213	82 35 26	Plain washer 20-A2-A-170 MT	8	8	8	8
213	82 35 23	Plain washer 16-A2-A-170 HT SH	4		4	
213	82 35 23	Plain washer 16-A2-A-170 HT SH	4	8	4	8
213	82 35 23	Plain washer 16-A2-A-170 HT SH	4	4	4	4
215	82 23 62	Hexagon nut M20-A2-70 MT	8	8	8	8
215	82 23 61	Hexagon nut M16-A2-70 HT SH	4		4	
215	82 23 61	Hexagon nut M16-A2-70 HT SH	4	4	4	4
216	295 64 00	Gasket 6" MT	1	1	1	1
216	259 83 00	Gasket 4" HT	1	1	1	1
216	310 05 00	Gasket SH	1	1	1	1
217	396 11 00	Stand compl. MT HT SH	1	1	1	1
218	84 34 03	Hexagon head screw M16X40-A2-70	4	4	4	4
219	82 37 85	Plain washer	4	4	4	4
227	83 19 36	Coupling part MT	1	1	1	1
227	83 19 33	Coupling part HT Quick coupling: Storz diam=115 mm	1		1	
227	83 19 34	Coupling part DN110 INNER THREAD G4 HT Quick coupling: Storz diam=133 mm	1	1	1	1

6 Service Parts

6.1 3153.091/181/800/810

Pos. No	Part. No	Denomination	Qty/Version			
			091	181	800	810
800	84 15 47	O-ring kit INTERMEDIATE SERVICE KIT	1	1	1	1
800	84 15 48	O-ring kit INTERMEDIATE SERVICE KIT	1	1	1	1
808	769 29 00	N-pump kit CURVE: 410 "N-LT"	1	1		
808	769 29 01	N-pump kit CURVE: 411 "N-LT"	1	1	1	1
808	769 29 02	N-pump kit CURVE: 412 "N-LT"	1	1	1	1
808	769 29 03	N-pump kit CURVE: 413 "N-LT"	1	1		
808	769 29 04	N-pump kit CURVE: 414 "N-LT"	1	1	1	1
808	769 29 05	N-pump kit CURVE: 415 "N-LT"	1	1		
808	769 29 06	N-pump kit CURVE: 416 "N-LT"	1	1	1	1
808	769 29 07	N-pump kit CURVE: 620 "N-LT"	1	1		
808	769 29 08	N-pump kit CURVE: 621 "N-LT"	1	1	1	1
808	769 29 09	N-pump kit CURVE: 622 "N-LT"	1	1		
808	769 29 10	N-pump kit CURVE: 623 "N-LT"	1	1	1	1
808	769 29 11	N-pump kit CURVE: 624 "N-LT"	1	1		
808	769 29 12	N-pump kit CURVE: 625 "N-LT"	1	1	1	1
808	769 29 13	N-pump kit CURVE: 430 "N-MT"	1	1	1	1
808	769 29 14	N-pump kit CURVE: 431 "N-MT"	1	1		
808	769 29 15	N-pump kit CURVE: 432 "N-MT"	1	1	1	1
808	769 29 16	N-pump kit CURVE: 433 "N-MT"	1	1	1	1
808	769 29 17	N-pump kit CURVE: 434 "N-MT"	1	1		
808	769 29 18	N-pump kit CURVE: 435 "N-MT"	1	1	1	1
808	769 29 19	N-pump kit CURVE: 436 "N-MT"	1	1		
808	769 29 20	N-pump kit CURVE: 437 "N-MT"	1	1	1	1
808	769 29 21	N-pump kit CURVE: 450 "N-HT"	1	1	1	1
808	769 29 22	N-pump kit CURVE: 451 "N-HT"	1	1		
808	769 29 24	N-pump kit CURVE: 453 "N-HT"	1	1	1	1
808	769 29 25	N-pump kit CURVE: 454 "N-HT"	1	1		
808	769 29 26	N-pump kit CURVE: 455 "N-HT"	1	1	1	1
808	769 29 27	N-pump kit CURVE: 456 "N-HT"	1	1	1	1
808	769 29 28	N-pump kit CURVE: 461 "N-HT"	1	1	1	1
808	769 29 29	N-pump kit CURVE: 462 "N-HT"	1	1		
808	769 29 30	N-pump kit CURVE: 463 "N-HT"	1	1	1	1
808	769 29 31	N-pump kit CURVE: 464 "N-HT"	1	1		
808	769 29 32	N-pump kit CURVE: 465 "N-HT"	1	1	1	1
808	769 29 33	N-pump kit CURVE: 466 "N-HT"	1	1	1	1
808	769 29 34	N-pump kit CURVE: 270 "N-SH"	1	1	1	1
808	769 29 35	N-pump kit CURVE: 272 "N-SH"	1	1		
808	769 29 36	N-pump kit CURVE: 273 "N-SH"	1	1	1	1
808	769 29 37	N-pump kit CURVE: 274 "N-SH"	1	1		

Pos. No	Part. No	Denomination	Qty/Version			
			091	181	800	810
808	769 29 38	N-pump kit CURVE: 275 "N-SH"	1	1	1	1
808	769 29 39	N-pump kit CURVE: 276 "N-SH"	1	1		
808	769 29 41	N-pump kit CURVE: 431 "N-MT"	1	1		
808	769 29 42	N-pump kit CURVE: 432 "N-MT"	1	1	1	1
808	769 29 43	N-pump kit CURVE: 433 "N-MT"	1	1	1	1
808	769 29 44	N-pump kit CURVE: 434 "N-MT"	1	1		
808	769 29 46	N-pump kit CURVE: 436 "N-MT"	1	1		
808	769 29 47	N-pump kit CURVE: 437 "N-MT"	1	1	1	1
808	769 29 49	N-pump kit CURVE: 441 "N-MT"	1	1		
808	769 29 50	N-pump kit CURVE: 442 "N-MT"	1	1	1	1
808	769 29 51	N-pump kit CURVE: 443 "N-MT"	1	1	1	1
808	769 29 52	N-pump kit CURVE: 444 "N-MT"	1	1	1	1
808	769 29 53	N-pump kit CURVE: 445 "N-MT"	1	1	1	1
808	769 29 54	N-pump kit CURVE: 446 "N-MT"	1	1		
808	769 29 55	N-pump kit CURVE: 447 "N-MT"	1	1	1	1
808	769 29 56	N-pump kit CURVE: 450 "N-HT"	1	1	1	1
808	769 29 57	N-pump kit CURVE: 451 "N-HT"	1	1		
808	769 29 59	N-pump kit CURVE: 453 "N-HT"	1	1	1	1
808	769 29 60	N-pump kit CURVE: 454 "N-HT"	1	1		
808	769 29 61	N-pump kit CURVE: 455 "N-HT"	1	1	1	1
808	769 29 62	N-pump kit CURVE: 456 "N-HT"	1	1	1	1
808	769 29 63	N-pump kit CURVE: 458 "N-HT"	1	1		
808	769 29 64	N-pump kit CURVE: 459 "N-HT"	1	1		
808	769 29 65	N-pump kit CURVE: 461 "N-HT"	1	1	1	1
808	769 29 66	N-pump kit CURVE: 462 "N-HT"	1	1		
808	769 29 67	N-pump kit CURVE: 463 "N-HT"	1	1	1	1
808	769 29 68	N-pump kit CURVE: 464 "N-HT"	1	1		
808	769 29 69	N-pump kit CURVE: 465 "N-HT"	1	1	1	1
808	769 29 70	N-pump kit CURVE: 466 "N-HT"	1	1	1	1
808	769 29 74	N-pump kit CURVE: 468 "N-HT"	1	1		
808	769 29 75	N-pump kit CURVE: 469 "N-HT"	1	1		
808	769 29 76	N-pump kit CURVE: 270 "N-SH"	1	1	1	1
808	769 29 77	N-pump kit CURVE: 272 "N-SH"	1	1		
808	769 29 78	N-pump kit CURVE: 273 "N-SH"	1	1	1	1
808	769 29 79	N-pump kit CURVE: 274 "N-SH"	1	1		
808	769 29 80	N-pump kit CURVE: 275 "N-SH"	1	1	1	1
808	769 29 81	N-pump kit CURVE: 276 "N-SH"	1	1		
808	769 29 82	N-pump kit CURVE: 277 "N-SH"	1	1		
808	769 29 83	N-pump kit CURVE: 278 "N-SH"	1	1		
808	769 29 84	N-pump kit CURVE: 279 "N-SH"	1	1		
900	657 17 08	Basic repair kit	1	1	1	1
900	657 17 09	Basic repair kit	1	1	1	1
900	657 17 10	Basic repair kit	1	1	1	1
900	657 17 11	Basic repair kit	1	1	1	1

Pos. No	Part. No	Denomination	Qty/Version			
			091	181	800	810
901	90 20 76	Monopropylene glycol	*	*	*	*

6.2 3153.095/185/820/830

Pos. No	Part. No	Denomination	Qty/Version			
			095	185	830	840
800	84 15 47	O-ring kit INTERMEDIATE SERVICE KIT	1	1	1	1
800	84 15 48	O-ring kit INTERMEDIATE SERVICE KIT	1	1	1	1
900	657 17 08	Basic repair kit	1	1	1	1
900	657 17 09	Basic repair kit	1	1	1	1
900	657 17 10	Basic repair kit	1	1	1	1
900	657 17 11	Basic repair kit	1	1	1	1
901	90 20 76	Monopropylene glycol	*	*	*	*

6.3 3153.660/670/860/870

Pos. No	Part. No	Denomination	Qty/Version			
			660	670	860	870
800	84 15 47	O-ring kit INTERMEDIATE SERVICE KIT	1	1	1	1
800	84 15 48	O-ring kit INTERMEDIATE SERVICE KIT	1	1	1	1
900	657 17 08	Basic repair kit	1	1	1	1
900	657 17 09	Basic repair kit	1	1	1	1
900	657 17 10	Basic repair kit	1	1	1	1
900	657 17 11	Basic repair kit	1	1	1	1
901	90 20 76	Monopropylene glycol	*	*	*	*

6.4 3153.350/390/840/850

Pos. No	Part. No	Denomination	Qty/Version			
			350	390	840	850
800	84 15 47	O-ring kit INTERMEDIATE SERVICE KIT	1	1	1	1
800	84 15 48	O-ring kit INTERMEDIATE SERVICE KIT	1	1	1	1
900	657 17 08	Basic repair kit	1	1	1	1
900	657 17 09	Basic repair kit	1	1	1	1
900	657 17 10	Basic repair kit	1	1	1	1
900	657 17 11	Basic repair kit	1	1	1	1
901	90 20 76	Monopropylene glycol	*	*	*	*