



# Flygt 2720

# Table of Contents

Introduction.....	2
Specially approved products.....	2
Product Description.....	3
The data plate.....	3
Product denomination.....	3
Exploded Views.....	5
2720.280.....	5
2720.390.....	6
Spare Parts.....	7
2720.280.....	7
2720.390.....	10

# Introduction

## Purpose of this manual

The purpose of this manual is to provide necessary information on spare parts and accessories order.

## Disclaimer

Always use genuine Flygt parts. The use of other spare parts or accessories can invalidate any claims for warranty or compensation. Xylem does not take any responsibility for damages that are caused by the use of non-original parts. For more information, contact your local sales and service representative.

## Data for ordering spare parts

The following information is needed for spare part orders:

- Serial number of the product
- Part number
- Quantity of bulk material, see \* in tables

## Specially approved products

### Qualification of personnel


Only Xylem or Xylem-authorized service personnel may undertake repair work on Ex-approved products.

### Dimensional accuracy inspection

Spare parts marked with (Ex) after the part number are subject to dimensional accuracy inspection.

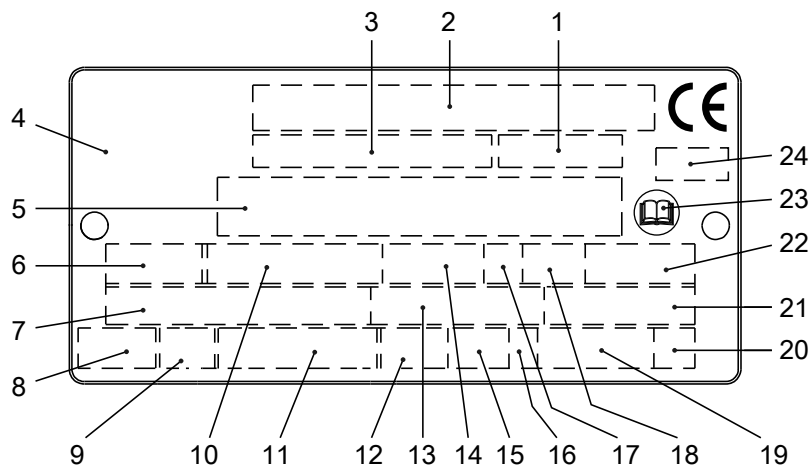
# Product Description

## Products included

Pump model	Approvals
2720.280 2720.390	Standard European Norm (EN) <ul style="list-style-type: none"> <li>• ATEX Directive</li> <li>• EN 1127-1, EN 60079-0, EN 60079-15</li> <li>•  II 3G Ex nA/nC c IICT1...T4</li> </ul>

## The data plate

The data plate is a metal label that is located on the main body of the products. The data plate lists key product specifications. Specially approved products also have an approval plate.



WS006257A

1. Curve code or Propeller code
2. Serial number, see [Product denomination](#) (page 3)
3. Product number
4. Country of origin
5. Additional information
6. Phase; type of current; frequency
7. Rated voltage
8. Thermal protection
9. Thermal class
10. Rated shaft power
11. International standard
12. Degree of protection
13. Rated current
14. Rated speed
15. Maximum submergence
16. Direction of rotation: L=left, R=right
17. Duty class
18. Duty factor
19. Product weight
20. Locked rotor code letter
21. Power factor
22. Maximum ambient temperature
23. Read installation manual
24. Notified body, only for EN-approved Ex products

Figure 1: The data plate

## Product denomination

### Reading instruction

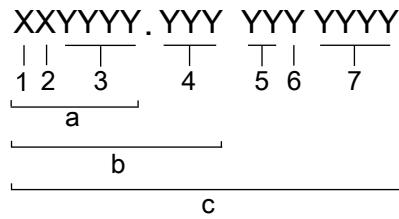
In this section, code characters are illustrated accordingly:

X = letter

Y = digit

The different types of codes are marked up with a, b and c. Code parameters are marked up with numbers.

Codes and parameters

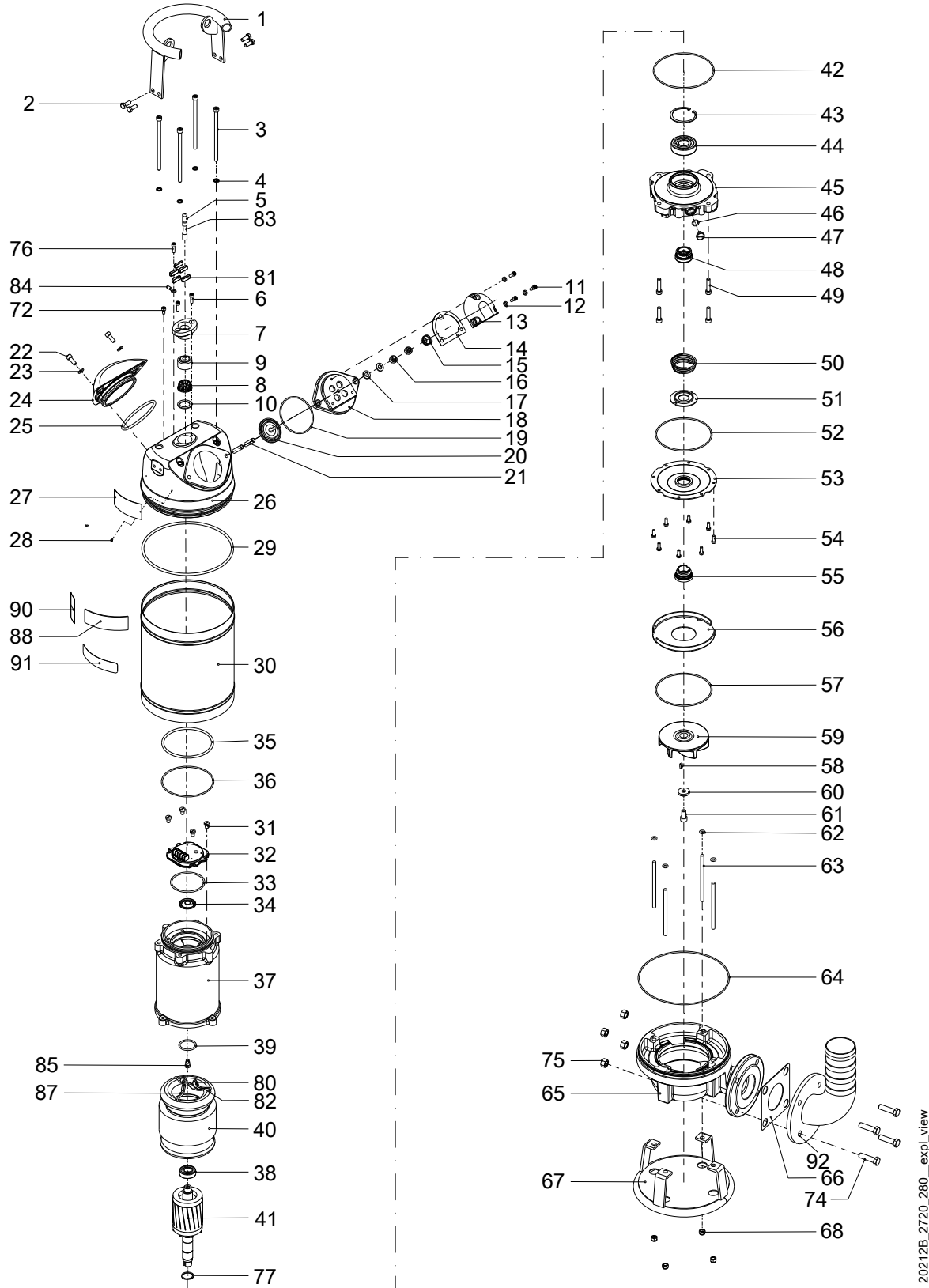


WS006265B

Type of Callout	Number	Indication
Type of code	a	Sales denomination
	b	Product code
	c	Serial number
Parameter	1	Hydraulic end
	2	Type of installation
	3	Sales code
	4	Version
	5	Production year
	6	Production cycle
	7	Running number

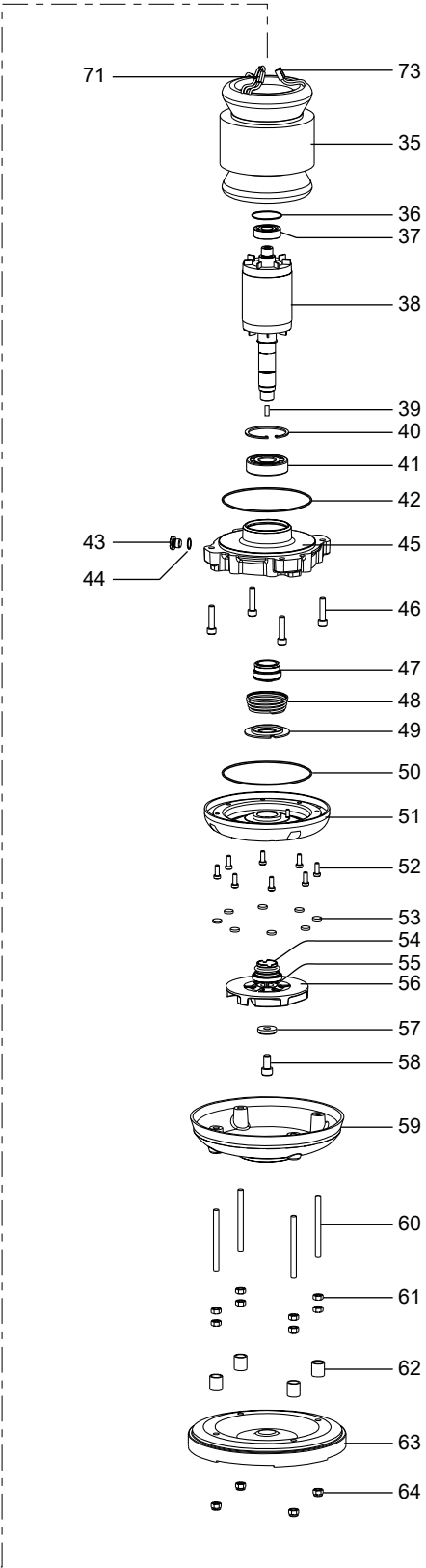
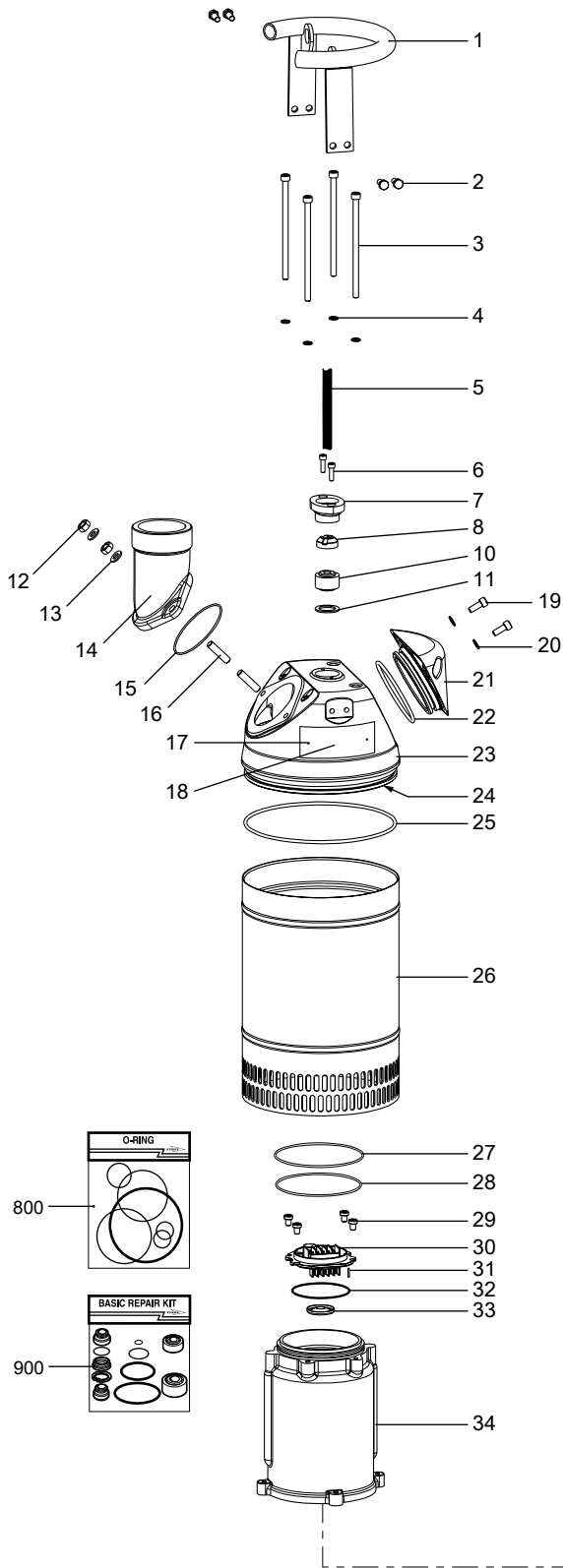
# Exploded Views

2720.280



20212B\_2720\_280\_expL\_view

# 2720.390



20213A\_2720.390\_expl\_view

# Spare Parts

2720.280

Pos. No	Part. No	Denomination	Qty/ Version	
			280	
1	683 32 00	Handle	1	
2	81 56 57	Hexagon head screw	4	
3	83 02 13	Hex.socket hd screw	4	
4	583 32 00	Seal ring	4	
5	94 20 61	Motor cable subcab	SUBCAB 4G1,5+2x1,5 15 - 16mm	*
5	94 20 59	Motor cable subcab	SUBCAB 4G2,5+2x1,5 17 - 18mm	*
5	94 21 01	Motor cable subcab	SUBCAB 14AWG/4 14,20 - 15,20mm	*
5	94 21 06	Motor cable	SUBCAB 10AWG/3-2-1-GC 20,30 - 22,30mm	*
5	94 21 02	Motor cable subcab	SUBCAB 14AWG/7 18 - 20mm	*
6	83 02 77	Hex.socket hd screw M6X20-A4-70		2
7	640 89 04	Entrance flange	Cable entry (14)-16mm Cable entry (16)-18mm Cable entry (18)-20mm Cable entry (20)-22mm	1
7	673 30 00	Entrance flange ISO G1	Cable entry for metal hose (14)-16mm Cable entry for metal hose (16)-18mm Cable entry for metal hose (18)-20mm Cable entry for metal hose (20)-22mm	1
7	640 89 02	Entrance flange	Cable entry (22)-26mm	1
8	678 58 16	Cable clip (14)-16 MM		1
8	678 58 18	Cable clip (16)-18 MM		1
8	678 58 20	Cable clip (18)-20 MM		1
8	678 58 22	Cable clip (20)-22 MM		1
8	678 58 24	Cable clip (22)-24 MM		1
8	678 58 26	Cable clip (24)-26 MM		1
9	84 17 92	Seal sleeve (14)-16 MM		1
9	84 17 93	Seal sleeve (16)-18 MM		1
9	84 17 94	Seal sleeve (18)-20 MM		1
9	84 17 95	Seal sleeve (20)-22 MM		1
9	84 17 96	Seal sleeve (22)-24MM		1
9	84 17 97	Seal sleeve (24)-26MM		1
10	82 40 61	Plain washer (10)-22 MM		1
10	82 40 60	Plain washer (20)-22 MM		1
10	82 40 62	Plain washer (24)-26 MM		1
11	83 02 75	Hex.socket hd screw M6X16-A4-70		3
12	82 48 89	Spring washer DIN 127-B-6-A4		3
13	686 72 01	Special washer		1
14	403 49 00	Gasket		1



Pos. No	Part. No	Denomination	Qty/ Version
			280
15	312 62 01	Compression spring	1
16	82 23 33	Hexagon nut M10-A4-70	2
17	82 35 76	Plain washer 10-A4-170	2
18	686 74 00	Special washer	1
19	82 80 95	O-ring 89.5X3 FPM	1
20	710 51 00	Air release valve	1
21	711 35 26	Stud	2
22	83 04 48	Hex.socket hd screw M8X20-A4-80	2
23	82 35 74	Plain washer 8-A4-170	2
24	681 16 00	Connection cover	1
25	82 81 92	O-ring	1
26	681 15 00	Cover	1
27	630 68 02	Data plate	1
28	82 21 73	Drive screw 4X5-A4	2
29	82 80 83	O-ring 209.3X5.7 FPM	1
30	690 24 00	Outer casing	1
31	81 44 02	Slotted head screw	4
32	710 90 01	Connection term boar	1
33	80 94 49	O-ring	1
34	710 63 00	Cover	1
35	80 94 44	O-ring	1
36	82 81 59	O-ring 119.5X3 FPM	1
37	717 87 00	Stator housing	1
38	83 32 43	Ball bearing	1
39	81 78 87	O-ring	1
40	711 04 05	Stator 14-07-2b	6-leads 50 Hz 220V-230V D 380V-415V Y P2=2kW
40	711 04 09	Stator 14-07-2b	6-leads 50 Hz 500V-550V Y P2=2kW
40	711 04 14	Stator 14-07-2b	9-leads 60 Hz 220V-230V Y// 440V-460V YSER P2=2,30kW/3,10hp
40	711 04 16	Stator 14-07-2b	6-leads 60 Hz 575V-600V Y P2=2,30kW/3,10hp
41	710 39 01	Shaft unit	1
42	82 80 92	O-ring 144.5X3 FPM	1
43	82 62 12	Retaining ring SGH 62	1
44	83 33 14	Ball bearing 6305 25X62X17	1
45	717 88 00	Bearing holder	1
46	81 78 65	O-ring	1
47	710 45 01	Inspection screw	1
48	712 56 00	Mechanical seal	1
49	83 04 45	Hex.socket hd screw M8X35-A4-80	4
50	712 68 01	Compression spring	1
51	713 87 00	Plate	1
52	82 75 15	O-ring	1
53	712 81 01	Oil housing bottom	1
54	83 52 81	Hex.socket hd screw	8

Pos. No	Part. No	Denomination	Qty/ Version
			280
55	713 90 00	Mechanical seal	1
56	710 16 01	Guide plate	1
57	82 75 15	O-ring	1
58	83 48 43	Parallel key 2306-5X5X14-A4-220HB	1
59	715 89 00	Impeller	241 MT 50Hz
59	715 89 01	Impeller	242 MT 60Hz
60	82 34 55	Plain washer	1
61	84 41 93	Hex.socket hd screw	1
62	82 95 88	O-ring	4
63	711 35 25	Stud	4
64	82 95 87	O-ring	1
65	683 78 00	Pump housing	1
66	392 27 00	Gasket	1
67	715 90 00	Stand	1
68	82 27 27	Lock nut M8-A4-70	4
74	81 49 09	Hexagon head screw M12X45-A4-70	4
75	82 27 29	Lock nut M12-A4-70	4
76	81 73 72	Slotted head screw M6X10-A4-70	1
77	82 63 86	Retaining ring 25-SPRING STEEL	1
78	83 20 10	Coupling part	1
79	83 02 73	Hex.socket hd screw M6X12-A4-70	1
80	83 41 83	Insulating sleeve 0.5-6 MM2	5-8
81	83 41 83	Insulating sleeve 0.5-6 MM2	3-5
82	83 41 84	Flat pin sleeve 0.75-1.5MM2	6-leads 50 Hz 220V-230V D 380V-415V Y P2=2kW 6-leads 60 Hz 575V-600V Y P2=2,30kW/3,10hp 9-leads 60 Hz 220V-230V Y// 440V-460V YSER P2=2,30kW/3,10hp
82	83 41 89	Flat pin sleeve 1-2.5MM2	6-leads 50 Hz 500V-550V Y P2=2kW
83	83 41 89	Flat pin sleeve 1-2.5MM2	SUBCAB 4G1,5+2x1,5 15 - 16mm SUBCAB 4G2,5+2x1,5 17 - 18mm SUBCAB 14AWG/7 18 - 20mm SUBCAB 14AWG/4 14,20 - 15,20mm
83	84 92 75	Flat pin sleeve 2.5-6MM2	SUBCAB 10AWG/3-2-1-GC 20,30 - 22,30mm
84	83 43 58	Cable lug INSUL.UL/CSA 1.04-2.6 MM2	SUBCAB 4G1,5+2x1,5 15 - 16mm SUBCAB 4G2,5+2x1,5 17 - 18mm SUBCAB 14AWG/7 18 - 20mm SUBCAB 14AWG/4 14,20 - 15,20mm
84	83 42 96	Cable lug 2.5-6 MM2;M6	SUBCAB 10AWG/3-2-1-GC 20,30 - 22,30mm
85	83 44 24	Closed-end splice 3-6(AWG 12-10) L=18	3
86	90 17 52	Oil ISO VG 32	*
87	94 05 86	Insulating hose D=12 MM	*
88	340 71 00	Instruction plate	1
89	427 13 00	Marking tape	1

Pos. No	Part. No	Denomination	Qty/ Version
			280
90	718 05 00	Sticker CUT HAZARD	1
91	667 40 01	Sticker	2
92	714 74 50	Discharge connection	DN 75 Hose
92	714 74 00	Discharge connection	DN 75 Thread : ISO G3A Outer Quick coupling: Storz DN 75 Thread : ISO G3A Outer
93	766 71 00	Connection plate	1
800	731 32 00	O-ring kit	1
801	783 45 00	Zinc anode kit	1
900	731 43 00	Basic repair kit	1

## 2720.390

Pos. No	Part. No	Denomination	Qty/ Version
			390
1	683 32 00	Handle	1
2	81 56 57	Hexagon head screw	4
3	83 02 13	Hex.socket hd screw	4
4	583 32 00	Seal ring	4
5	94 20 61	Motor cable subcab	SUBCAB 4G1,5+2x1,5 15 - 16mm *
5	94 20 59	Motor cable subcab	SUBCAB 4G2,5+2x1,5 17 - 18mm *
5	94 21 01	Motor cable subcab	SUBCAB 14AWG/4 14,20 - 15,20mm *
5	94 21 06	Motor cable	SUBCAB 10AWG/3-2-1-GC 20,30 - 22,30mm *
5	94 21 02	Motor cable subcab	SUBCAB 14AWG/7 18 - 20mm *
6	83 02 77	Hex.socket hd screw M6X20-A4-70	2
7	640 89 04	Entrance flange	Cable entry (14)-16mm Cable entry (16)-18mm Cable entry (18)-20mm Cable entry (20)-22mm 1
7	673 30 00	Entrance flange ISO G1	Cable entry for metal hose (14)-16mm Cable entry for metal hose (16)-18mm Cable entry for metal hose (18)-20mm Cable entry for metal hose (20)-22mm 1
7	640 89 02	Entrance flange	Cable entry (22)-26mm 1
8	678 58 16	Cable clip (14)-16 MM	1
8	678 58 18	Cable clip (16)-18 MM	1
8	678 58 20	Cable clip (18)-20 MM	1
8	678 58 22	Cable clip (20)-22 MM	1
8	678 58 24	Cable clip (22)-24 MM	1
8	678 58 26	Cable clip (24)-26 MM	1
10	84 17 92	Seal sleeve (14)-16 MM	1
10	84 17 93	Seal sleeve (16)-18 MM	1
10	84 17 94	Seal sleeve (18)-20 MM	1
10	84 17 95	Seal sleeve (20)-22 MM	1
10	84 17 96	Seal sleeve (22)-24MM	1

Pos. No	Part. No	Denomination	Qty/ Version
			390
10	84 17 97	Seal sleeve (24)-26MM	1
11	82 40 61	Plain washer (10)-22 MM	1
11	82 40 60	Plain washer (20)-22 MM	1
11	82 40 62	Plain washer (24)-26 MM	1
12	82 23 33	Hexagon nut M10-A4-70	2
13	82 35 76	Plain washer 10-A4-170	2
14	682 25 00	Discharge connection DN 75 Hose	1
14	682 24 00	Discharge connection DN 75 Thread : ISO G3A Outer Quick coupling: Storz DN 75 Thread : ISO G3A Outer	1
14	682 24 02	Discharge connection DN 75 Thread : NPT 3-8 Outer	1
15	82 80 95	O-ring 89.5X3 FPM	1
16	711 35 26	Stud	2
17	82 21 73	Drive screw 4X5-A4	2
18	630 68 02	Data plate	1
19	83 04 48	Hex.socket hd screw M8X20-A4-80	2
20	82 35 74	Plain washer 8-A4-170	2
21	681 16 00	Connection cover	1
22	82 81 92	O-ring 94.1X5.7 FPM	1
23	681 15 00	Cover	1
24	81 73 72	Slotted head screw M6X10-A4-70	1
25	82 80 83	O-ring 209.3X5.7 FPM	1
26	683 35 00	Strainer	1
27	80 94 44	O-ring 117.5X5.34 FPM	1
28	82 81 59	O-ring 119.5X3 FPM	1
29	81 44 02	Slotted head screw	4
30	710 90 01	Connection term boar	1
31	94 05 86	Insulating hose D=12 MM	*
32	80 94 49	O-ring 74.61X3.53 FPM	1
33	710 63 00	Cover	1
34	717 87 00	Stator housing	1
35	711 04 05	Stator 14-07-2b 6-leads 50 Hz 220V-230V D 380V-415V Y P2=2kW	1
35	711 04 09	Stator 14-07-2b 6-leads 50 Hz 500V-550V Y P2=2kW	1
35	711 04 14	Stator 14-07-2b 9-leads 60 Hz 220V-230V Y// 440V-460V YSER P2=2,30kW/3,10hp	1
35	711 04 16	Stator 14-07-2b 6-leads 60 Hz 575V-600V Y P2=2,30kW/3,10hp	1
36	81 78 87	O-ring 39.69X3.53 FPM	1
37	83 32 43	Ball bearing	1
38	710 39 01	Shaft unit	1
39	83 48 43	Parallel key 2306-5X5X14-A4-220HB	1
40	82 62 12	Retaining ring SGH 62	1
41	83 33 14	Ball bearing 6305 25X62X17	1
42	82 80 92	O-ring 144.5X3 FPM	1
43	710 45 01	Inspection screw	1
44	81 78 65	O-ring 12.37X2.62 FPM	1

Pos. No	Part. No	Denomination	Qty/ Version	
			390	
45	717 88 00	Bearing holder	1	
46	83 04 45	Hex.socket hd screw M8X35-A4-80	4	
47	712 56 00	Mechanical seal	1	
48	712 68 01	Compression spring	1	
49	713 87 00	Plate	1	
50	82 75 15	O-ring 134.5X3.0 FPM	1	
51	712 77 01	Oil housing coated	1	
52	83 52 81	Hex.socket hd screw	8	
53	710 62 00	Protective washer	8	
54	713 90 00	Mechanical seal	1	
55	710 43 01	Adjusting washer	10	
56	717 94 00	Impeller	241 MT 50Hz	1
56	717 94 01	Impeller	242 MT 60Hz	1
57	82 34 55	Plain washer	1	
58	84 41 93	Hex.socket hd screw	1	
59	710 60 02	Diffuser coat.	1	
60	711 35 24	Stud	4	
61	82 23 32	Hexagon nut M8-A4-70	8	
62	709 60 04	Protection sleeve	4	
63	717 89 00	Strainer bottom	1	
64	82 27 27	Lock nut M8-A4-70	4	
65	82 63 86	Retaining ring 25-SPRING STEEL	1	
66	667 40 01	Sticker	2	
67	340 71 00	Instruction plate	1	
68	766 71 00	Connection plate	1	
69	83 02 73	Hex.socket hd screw M6X12-A4-70	1	
70	83 20 10	Coupling part	1	
71	83 41 83	Insulating sleeve 0.5-6 MM2	5-8	
72	83 41 83	Insulating sleeve 0.5-6 MM2	3-5	
73	83 41 84	Flat pin sleeve 0.75-1.5MM2	5-8	
74	83 41 89	Flat pin sleeve 1-2.5MM2	SUBCAB 14AWG/4 14,20 - 15,20mm SUBCAB 14AWG/7 18 - 20mm SUBCAB 4G2,5+2x1,5 17 - 18mm SUBCAB 4G1,5+2x1,5 15 - 16mm	3-5
74	84 92 75	Flat pin sleeve 2.5-6MM2	SUBCAB 10AWG/3-2-1-GC 20,30 - 22,30mm	5
75	83 43 58	Cable lug INSUL.UL/CSA 1.04-2.6 MM2	SUBCAB 14AWG/4 14,20 - 15,20mm SUBCAB 14AWG/7 18 - 20mm SUBCAB 4G2,5+2x1,5 17 - 18mm SUBCAB 4G1,5+2x1,5 15 - 16mm	1-2
75	83 42 96	Cable lug 2.5-6 MM2;M6	SUBCAB 10AWG/3-2-1-GC 20,30 - 22,30mm	2
76	90 17 52	Oil ISO VG 32		*
77	427 13 00	Marking tape		1
78	718 05 00	Sticker CUT HAZARD		1
800	731 32 00	O-ring kit		1

Pos. No	Part. No	Denomination	Qty/ Version
			390
801	783 44 00	Zinc anode kit	1
900	731 43 00	Basic repair kit	1