



Flygt 8050.280

Table of Contents

Introduction.....	2
Specially approved products.....	2
Product Description.....	3
The data plate.....	3
Product denomination.....	3
Drive Unit.....	5
Standard.....	5
Cable entries.....	6
List of parts.....	7
Hydraulic Unit.....	10
LT/MT/HT.....	10
List of parts.....	11
Installation Components.....	12
Sliding brackets.....	12
Discharge connection units.....	13
List of parts.....	14
Service Parts.....	15
List of parts.....	15

Introduction

Purpose of this manual

The purpose of this manual is to provide necessary information on spare parts and accessories order.

Disclaimer

Always use genuine Flygt parts. The use of other spare parts or accessories can invalidate any claims for warranty or compensation. Xylem does not take any responsibility for damages that are caused by the use of non-original parts. For more information, contact your local sales and service representative.

Data for ordering spare parts

The following information is needed for spare part orders:

- Serial number of the product
- Part number
- Quantity of bulk material, see * in tables

Specially approved products

Qualification of personnel

Only Xylem or Xylem-authorized service personnel may undertake repair work on Ex-approved products.

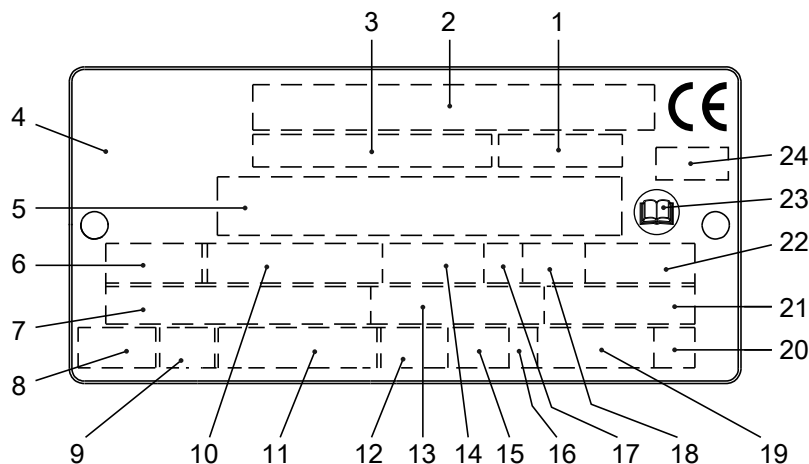
Dimensional accuracy inspection

Spare parts marked with (Ex) after the part number are subject to dimensional accuracy inspection.

Product Description

The data plate

The data plate is a metal label that is located on the main body of the products. The data plate lists key product specifications. Specially approved products also have an approval plate.



WS006257A

1. Curve code or Propeller code
2. Serial number, see [Product denomination](#) (page 3)
3. Product number
4. Country of origin
5. Additional information
6. Phase; type of current; frequency
7. Rated voltage
8. Thermal protection
9. Thermal class
10. Rated shaft power
11. International standard
12. Degree of protection
13. Rated current
14. Rated speed
15. Maximum submergence
16. Direction of rotation: L=left, R=right
17. Duty class
18. Duty factor
19. Product weight
20. Locked rotor code letter
21. Power factor
22. Maximum ambient temperature
23. Read installation manual
24. Notified body, only for EN-approved Ex products

Figure 1: The data plate

Product denomination

Reading instruction

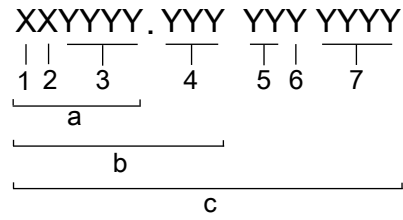
In this section, code characters are illustrated accordingly:

X = letter

Y = digit

The different types of codes are marked up with a, b and c. Code parameters are marked up with numbers.

Codes and parameters

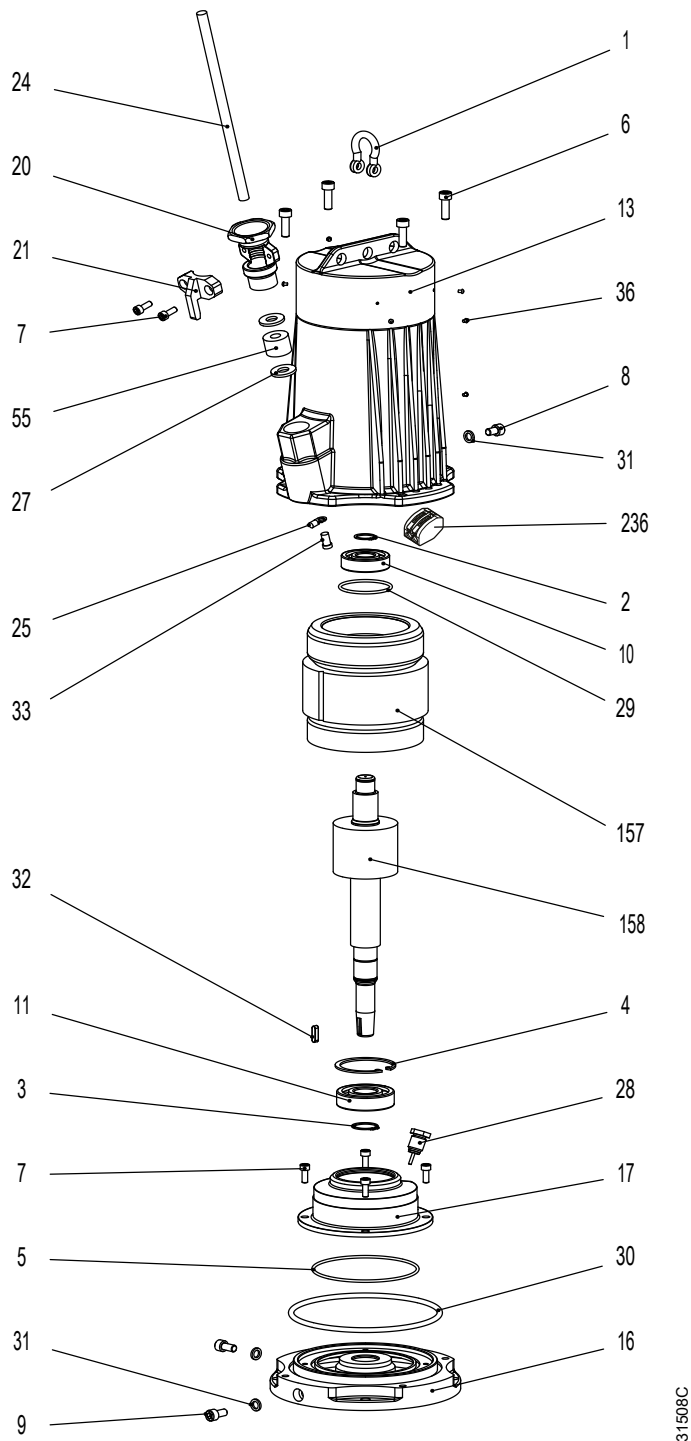


WS006265B

Type of Callout	Number	Indication
Type of code	a	Sales denomination
	b	Product code
	c	Serial number
Parameter	1	Hydraulic end
	2	Type of installation
	3	Sales code
	4	Version
	5	Production year
	6	Production cycle
	7	Running number

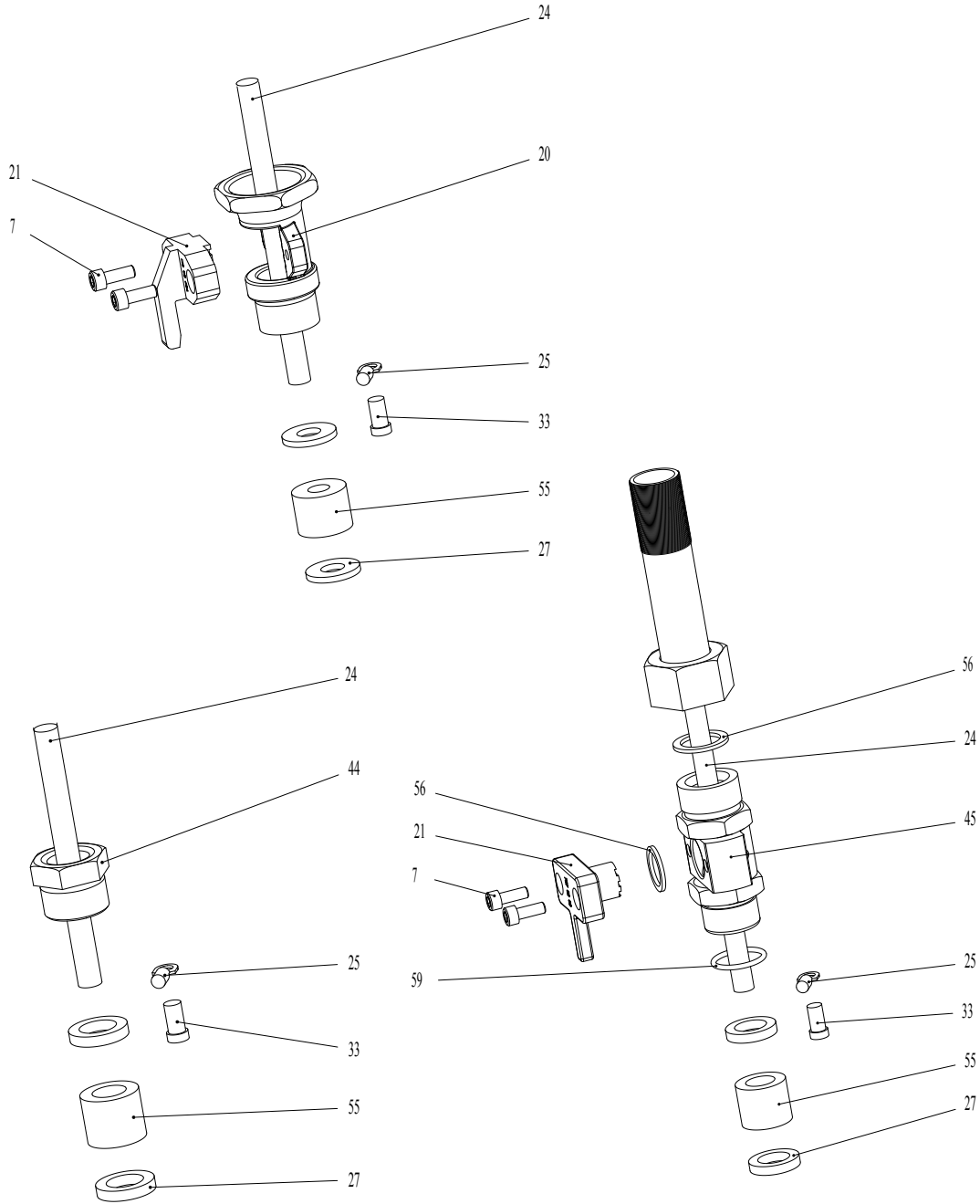
Drive Unit

Standard



31508C

Cable entries



List of parts

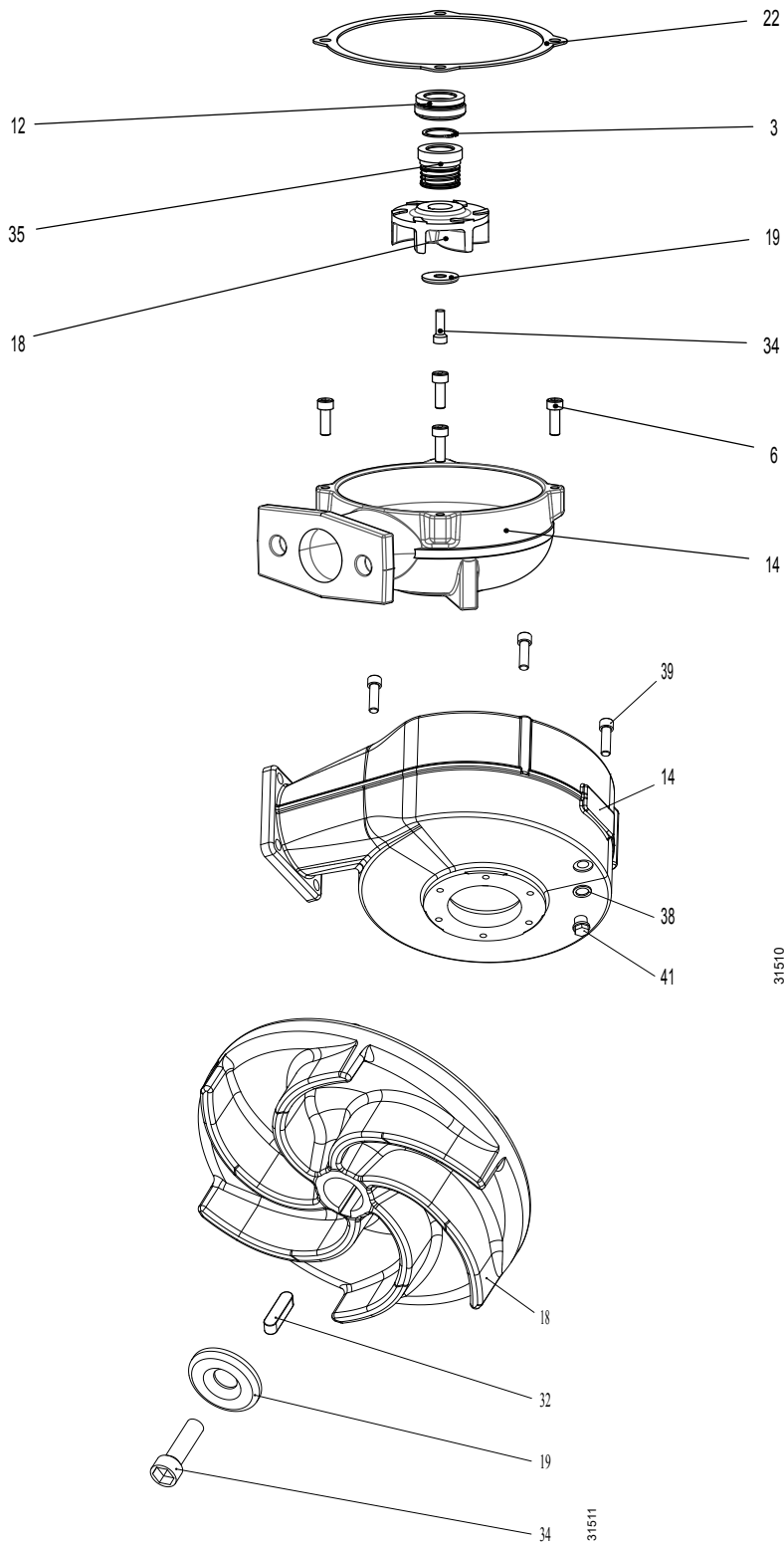
Pos. No	Part. No	Type	Denomination	Qty/Version
				280
1	82 38 84		Shackle	1
2	82 60 92		Retaining ring SGA 20	1
3	82 61 32		Retaining ring SGA 25	2
4	82 62 12		Retaining ring SGH 62	1
5	82 81 67		O-ring 109.5X3 FPM	1
6	83 02 01		Hex.socket hd screw M8X25-A4-80	4
7	83 02 75		Hex.socket hd screw M6X16-A4-70	4
7	83 02 75		Hex.socket hd screw M6X16-A4-70	2
8	83 02 95		Hex.socket hd screw M8X12-A4-70	1
9	83 02 97		Hex.socket hd screw M8X16-A4-70	2
10	83 33 13		Ball bearing 20X52X15 MM	1
11	83 33 14		Ball bearing 25X62X17	1
13	736 96 00		Stator housing	1
16	737 29 00		Oil housing	1
			MT LT	
16	737 28 00		Oil housing	1
			HT	
17	737 35 00		Bearing housing	1
17	737 35 02		Bearing housing WITH WATER DETECTOR	1
20	737 85 00		Motor cable entry LONG	1
21	737 88 00		Cable clamp Ø12-14 MM	1
21	737 92 00		Cable clamp Ø15-17 MM	1
21	737 87 00		Cable clamp Ø18-23 MM	1
24	94 20 82		Motor cable subcab	*
			SUBCAB 7G2,5+2x1,5	
24	94 20 61		Motor cable subcab	*
			SUBCAB 4G1,5+2x1,5	
24	90 34 25		Motor cable H07RN-F 10G1,5	*
			H07RN-F 10G1,5	
24	94 20 91		Motor cable hcr	*
			SO7E6E5-F 7G2,5	
24	94 20 59		Motor cable subcab	*
			SUBCAB 4G2,5+2x1,5	
25	81 79 30		Cable lug 2.5 - 6 MM2	1
27	83 76 27		Plain washer 12X27.5X3-A4	2
27	83 76 24		Plain washer 17.5X27.5X4-A4	2
27	83 76 14		Plain washer 22X27.5X4-A4	2
28	83 76 39		Level sensor unit	1
29	83 76 46		O-ring 152X3.53 FPM	1
30	83 76 44		O-ring 52.39X3.53 NBR	1
31	583 32 01		Seal ring HNBR	3
31	583 32 01		Seal ring HNBR	1
32	83 76 53		Parallel key	1
33	83 76 56		Slotted head screw M6X8	1
36	82 21 73		Drive screw 4X5-A4	6
44	737 89 00		Motor cable entry SHORT	1
45	737 91 00		Motor cable entry FOR CABLE PROTECTION	1
53	83 76 61		Flat pin sheet	1

Pos. No	Part. No	Type	Denomination	Qty/Version
				280
55	83 76 26		Seal sleeve Ø10-12 MM (FPM)	1
55	83 76 05		Seal sleeve Ø15-17 MM	1
55	83 76 11		Seal sleeve Ø17-20 MM	1
55	83 76 06		Seal sleeve Ø18-21 MM	1
55	83 76 07		Seal sleeve Ø21-23 MM	1
56	83 76 16		Seal ring	1
56	738 34 00		Seal ring	1
57	667 40 03		Sticker FLYGT STICKER	2
58	340 71 00		Instruction plate	1
59	83 76 45		O-ring 25.07X2.62 FPM	1
60	630 68 00		Data plate USE 6306801 AS SPARE PART	2
71	737 93 00		Cable clamp Ø18-21 MM	1
157	737 04 01		Stator 14-10-2r 50 Hz 2-poles 380V-415V D P2=2,20kW 50 Hz 2-poles 380V-415V D P2=2,60kW 60 Hz 2-poles 440V-460V D P2=3kW/4hp	1
157	737 04 02		Stator 14-10-2r 50 Hz 2-poles 220V D P2=2,60kW 50 Hz 2-poles 220V-230V D P2=2,20kW	1
157	737 04 03		Stator 14-10-2r 50 Hz 2-poles 500V D P2=2,20kW 50 Hz 2-poles 500V D P2=2,60kW 60 Hz 2-poles 575V D P2=3kW/4hp	1
157	737 13 01		Stator 14-06-2r 50 Hz 2-poles 380V-415V D P2=1,50kW 60 Hz 2-poles 440V-480V D P2=1,60kW/2,20hp	1
157	737 13 02		Stator 14-06-2r 50 Hz 2-poles 220V-230V D P2=1,50kW	1
157	737 13 03		Stator 14-06-2r 50 Hz 2-poles 500V D P2=1,50kW 60 Hz 2-poles 575V D P2=1,60kW/ 2,20hp	1
157	737 13 04		Stator 14-06-2r 60 Hz 2-poles 460V YSER 230V Y// P2=1,60kW/2,20hp	1
157	737 13 05		Stator 14-06-2r 60 Hz 2-poles 380V D P2=1,60kW/ 2,20hp	1
157	737 13 06		Stator 14-06-2r 60 Hz 2-poles 220V D P2=1,60kW/ 2,20hp	1
157	737 04 04		Stator 14-10-2r 60 Hz 2-poles 460V-480V YSER 230V Y// P2=3kW/4hp	1
157	737 04 05		Stator 14-10-2r 60 Hz 2-poles 380V D P2=3kW/4hp	1
157	737 04 06		Stator 14-10-2r 60 Hz 2-poles 220V D P2=3kW/4hp	1
157	737 55 07		Stator 14-10-2r 1-phase 60 Hz 2-poles 220V-230V P2=1,90kW/2,50hp	1

Pos. No	Part. No	Type	Denomination	Qty/Version
				280
157	737 03 01		Stator 14-10-4r 50 Hz 4-poles 380V-415V D P2=1,50kW 60 Hz 4-poles 440V-460V D P2=1,70kW/2,30hp 50 Hz 4-poles 380V-415V D P2=2,20kW 60 Hz 4-poles 440V-460V D P2=2,50kW/3,40hp	1
157	737 03 02		Stator 14-10-4r 50 Hz 4-poles 230V D P2=2,20kW 50 Hz 4-poles 230V D P2=1,50kW	1
157	737 03 03		Stator 14-10-4r 50 Hz 4-poles 500V D P2=1,50kW 60 Hz 4-poles 575V D P2=1,70kW/ 2,30hp 50 Hz 4-poles 500V D P2=2,20kW 60 Hz 4-poles 575V-600V D P2=2,50kW/3,40hp	1
157	737 03 04		Stator 14-10-4r 60 Hz 4-poles 460V YSER 230V Y// P2=1,70kW/2,30hp 60 Hz 4-poles 460V YSER 230V Y// P2=2,50kW/3,40hp	1
157	737 03 05		Stator 14-10-4r 60 Hz 4-poles 380V D P2=2,50kW/ 3,40hp 60 Hz 4-poles 380V D P2=1,70kW/ 2,30hp	1
157	737 03 06		Stator 14-10-4r 60 Hz 4-poles 220V D P2=1,70kW/ 2,30hp 60 Hz 4-poles 220V D P2=2,50kW/ 3,40hp	1
158	737 15 00	(Ex)	Shaft unit	1
158	737 20 00		Shaft unit	1
158	737 57 00		Shaft unit	1
158	737 22 00	(Ex)	Shaft unit	1
236	83 42 65		Terminal block	2
236	83 42 67		Terminal block	3
236	83 42 65		Terminal block	8
236	83 42 65		Terminal block	5
236	83 42 67		Terminal block	1
236	83 42 65		Terminal block	1

Hydraulic Unit

LT/MT/HT



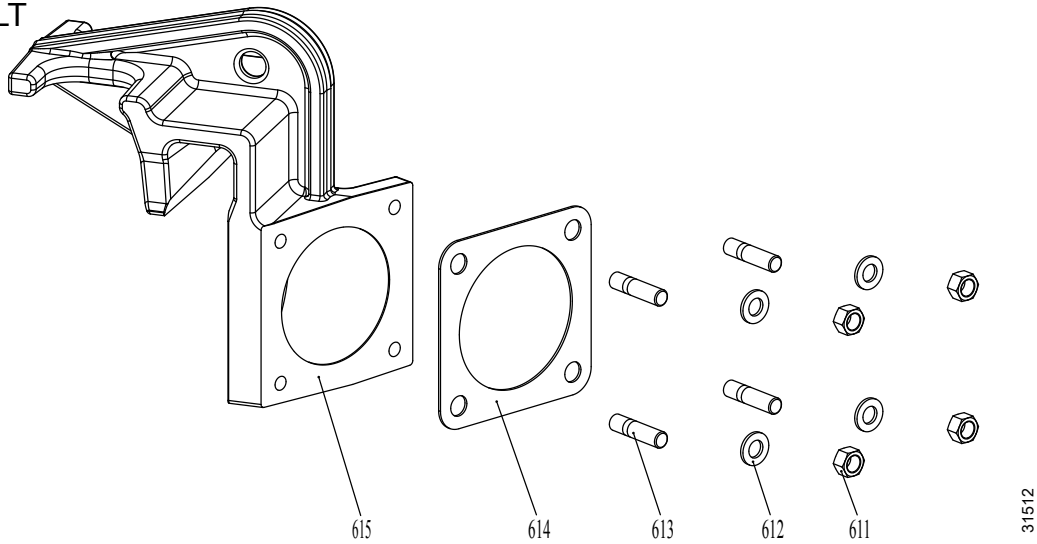
List of parts

Pos. No	Part. No	Denomination	Qty/Version
			280
12	83 76 74	Mechanical seal	1
14	736 99 00	Pump housing LT	1
14	737 00 00	Pump housing MT	1
14	737 01 00	Pump housing HT	1
18	737 38 42	Impeller Ø195	1
18	737 38 45	Impeller Ø180	1
18	737 38 47	Impeller Ø170	1
18	737 38 49	Impeller Ø160	1
18	737 38 50	Impeller Ø150	1
18	737 38 51	Impeller Ø140	1
18	737 41 00	Impeller Ø138	1
18	737 41 01	Impeller Ø125	1
18	737 41 02	Impeller Ø118	1
18	737 41 03	Impeller Ø110	1
18	737 41 04	Impeller Ø97	1
18	737 41 08	Impeller Ø85	1
19	737 47 00	Plain washer	1
22	738 32 00	Gasket HT	1
22	738 33 00	Gasket LT, MT	1
34	83 76 72	Hex socket hd screw	1
35	83 76 75	Mechanical seal	1
38	83 76 55	Sealing washer	1
39	83 03 47	Hex.socket hd screw M12X35-A4-70	4
41	83 76 54	Plug	1

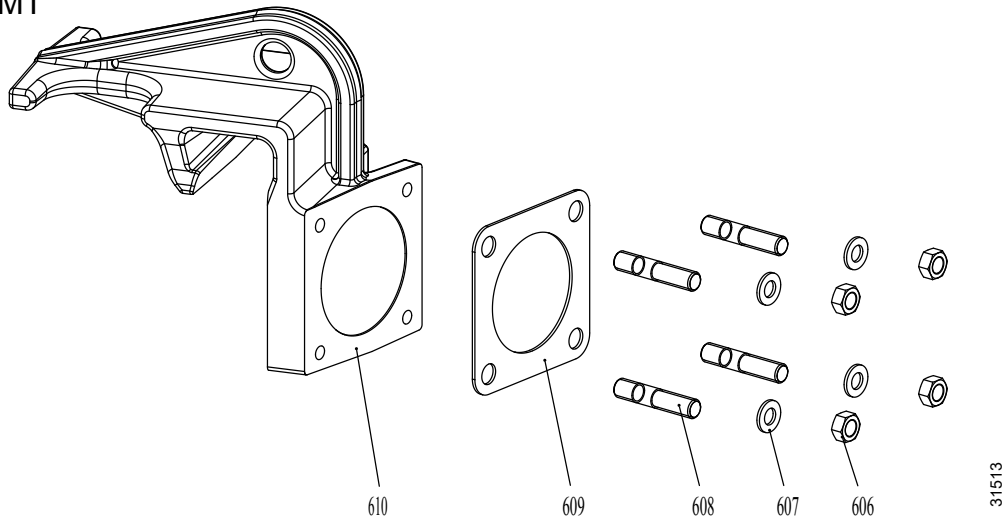
Installation Components

Sliding brackets

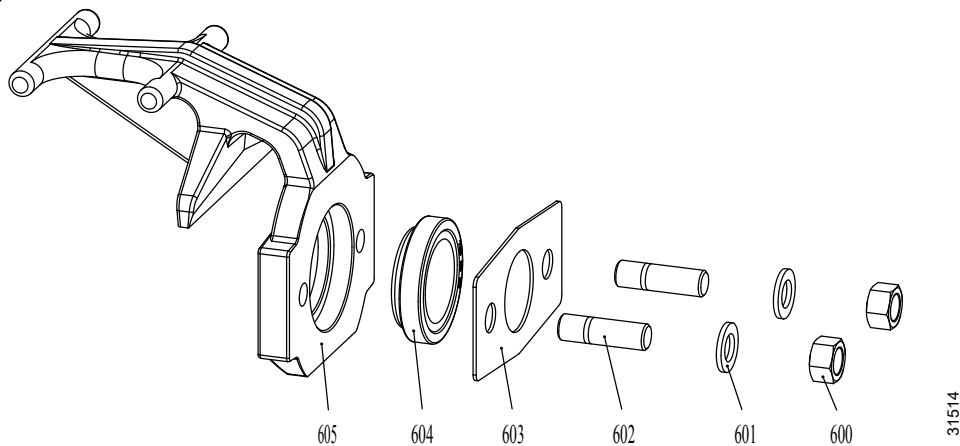
LT



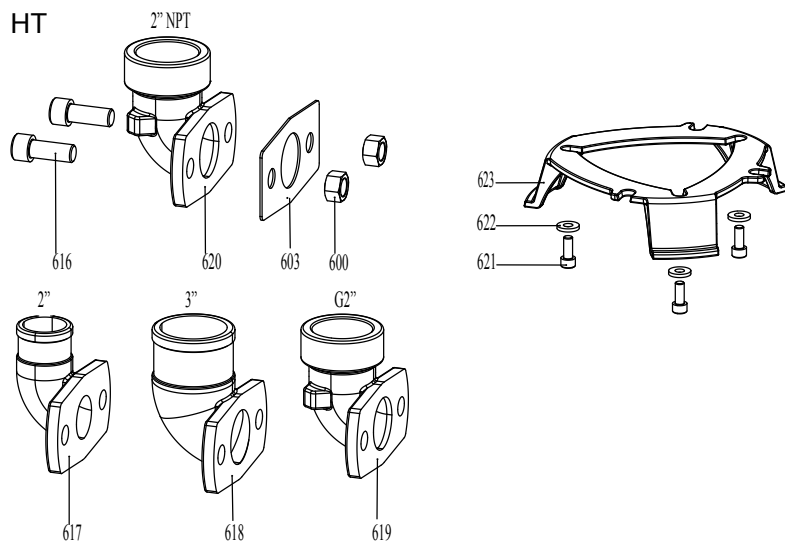
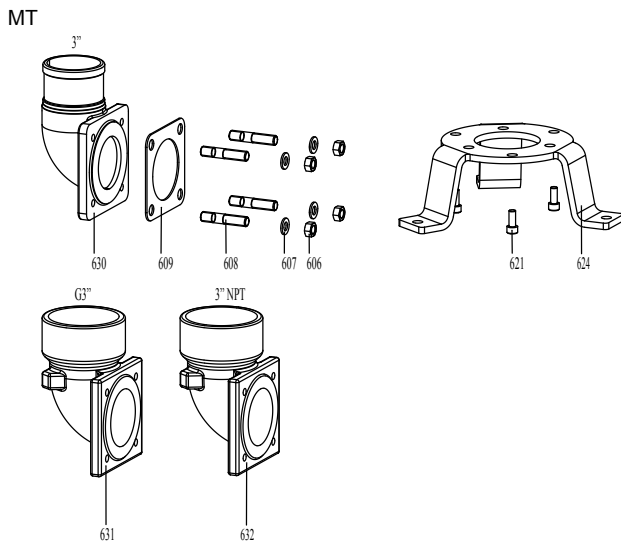
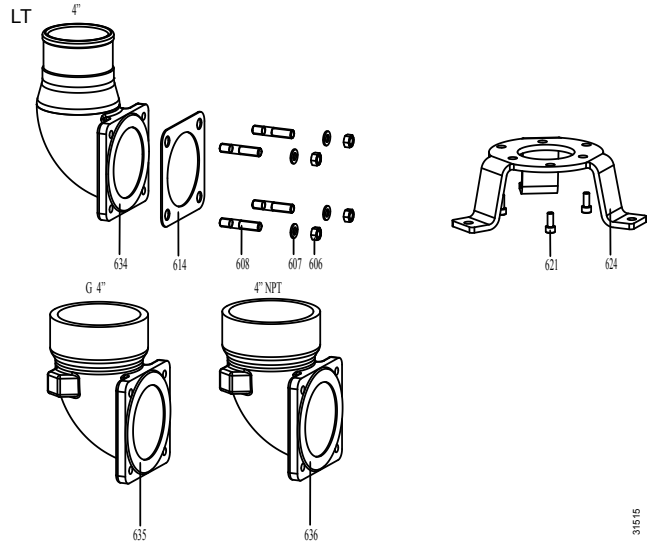
MT



HT



Discharge connection units



List of parts

Pos. No	Part. No	Denomination	Qty/Version
			280
600	82 23 37	Hexagon nut M16-A4-70	2
601	82 35 78	Plain washer 16-A4-A-170	2
602	80 97 59	Stud 16X35-A4-70	2
603	742 88 02	Gasket	1
604	738 38 00	Seal ring	1
605	737 59 00	Sliding bracket	1
606	82 23 33	Hexagon nut M10-A4-70	4
606	82 23 35	Hexagon nut M12-A4-70	4
607	82 35 76	Plain washer 10-A4-170	4
607	82 35 77	Plain washer A4-A170	4
608	80 97 39	Stud 12X30-A4-70	4
608	83 76 49	Stud 10X30-A4-70	4
609	738 36 00	Gasket	1
610	737 60 00	Sliding bracket	1
611	82 23 35	Hexagon nut M12-A4-70	4
612	82 35 77	Plain washer A4-A170	4
613	80 97 40	Stud 12X35-A4-70	4
614	738 35 00	Gasket	1
615	737 61 00	Sliding bracket	1
616	83 03 70	Hex.socket hd screw M16X40-A4-70	2
617	737 78 00	Discharge connection	1
618	737 79 00	Discharge connection	1
619	737 81 00	Discharge connection	1
620	737 81 01	Discharge connection	1
621	83 02 99	Hex.socket hd screw M8X20-A4-70	3
622	83 76 57	Plain washer	3
623	737 77 00	Stand	1
624	753 45 00	Stand	Ø330
624	753 46 00	Stand	Ø280
630	737 80 00	Discharge connection	1
631	737 84 00	Discharge connection	1
632	737 84 01	Discharge connection	1
634	737 83 00	Discharge connection	1
635	737 82 01	Discharge connection	1
636	737 82 00	Discharge connection	1

Service Parts

List of parts

Pos. No	Part. No	Denomination	Qty/Version
			280
96	90 17 52	Oil	*
800	83 87 36	O-ring kits	1
800	83 87 37	O-ring kits	1
900	756 39 00	Basic repair kit	1
900	756 40 00	Basic repair kit	1