

Pos	Qty	Art.Code	Description	DIN	Model	Material
1	1	55-700-183-GG	Motor housing	mh200	1919	GG 25
3	1	55-702-342-BX	Stator	10.5 kW-4	020-2125150D	
4	1	55-703-309-SC	Rotor	10.5 kW-4	030-3125150D	C 40
4.4	1	55-756-011	Key	8x 7x30	6885A	Fe
5	1	55-704-140-GG	Seal housing	RW40	1906A	GG 25
6	1	55-704-144-NI	Membrane	RW/RT40		NBR
7	1	55-706-314	Mechanical seal	Ø35		Carb/ceramic/N
8	1	55-706-318	Mechanical seal	Ø30		SiC/SiC/NBR
20	1	55-713-210-RZ	Data plate	Robot Pumps		AISI 316
21	1	55-750-109	Ball bearing	6306 2RS1 /C3 GJN	628	
22	1	55-750-054	Ball bearing	6307-2Z-C3		
30	1	55-751-005	O-ring	71.44x 3.53		NBR
31	1	55-752-003	Circlip	A 30x1.5	471	spring steel
32	1	55-752-004	Circlip	A 35x1.5	471	spring steel
33	1	55-752-031	Circlip	J 80x2.5	472	spring steel
35	1	55-754-028	Hexagon socket screw	M 8x 16	912	AISI 304
36	3	55-754-092	Hexagon socket screw	M10x 20	912	AISI 304
43	4	55-754-079	Hexagon socket screw	M10x 30	912	AISI 304
45	1	55-756-028	Dubo ring	M 8 type 303		PA 6.6
46	2	55-756-027	Dubo ring	M10 type 305		PA 6.6
47	1	55-757-083	Slotted head screw	M 6x 8	84a	CuZn 40
48	4	55-757-076	Data plate rivet	2.9x6.5		AISI 316
49	1	55-759-002	Cable lug	M 6 (2.5mm2)		
50	3	55-759-007	Cable connector	(2.5mm2)		
51	1	55-906-067	Hose clamp	90-110 mm		RVS
52	1	55-906-069	Oil	Marcol 152		
101	1	55-701-149-GG	Pump casing	RW4041	1926	GG 25
102	1	55-708-293-NG	Impeller	250 RW 4041	1931	GGG 40
103	1	55-713-226-RU	Impeller hubcap	Ø30xØ9x4	713-226	AISI 329
113	4	55-754-080	Hexagon socket screw	M12x 35	912	AISI 304
114	1	55-754-162	Hex. sock. screw counter sun	M 8x 25	7991	AISI 316
107	1	55-710-298-NG	Suspension bracket	V mh200b	2158	GGG 40
109	1	55-712-143-GG	Hose connection	4"-90gr.	1788	GG 25
109	(1)	55-712-144-GG	Hose connection	4"-3-90gr.	1789	GG 25
109	(1)	55-712-183-GG	Hose connection	4"-90gr. (SL)	2091	GG 25
109	(1)	55-712-194-ST	Thread connection	NPT 4"-90gr.Bu		Fe 360
111	4	55-753-152	Hexagon-head bolt	M12x 50	931	AISI 304
111	(4)	55-753-158	Stud bolt	M12x 35	939	AISI 316
115	3	55-754-029	Hexagon socket screw	M 8x 25	912	AISI 304
117	4	55-755-083	Nut	M12	934	AISI 304
118	4	55-758-095	Washer	(M12)	125	AISI 304
121	1	55-761-002	Gasket	Ø140xØ105x2		CR
125	1	55-912-054	Shackle	10mm		AISI 316
130	1	55-715-118-ST	Support ring	stc 138 en stc 170		Fe galv
131	3	55-754-027	Hexagon socket screw	M10x 25	912	AISI 304
107	1	55-710-305-ST	Suspension bracket	H 20g/40		Fe 360
109	1	55-712-053-GG	Hose connection	4"	1293	GG 25
109	(1)	55-712-134-GG	Hose connection	3"-4	1735	GG 25
109	(1)	55-712-054-GG	Hose connection	6"-4	1748	GG 25
110	1	55-712-155-GG	Suction elbow	5"	1945	GG 25
111	4	55-753-152	Hexagon-head bolt	M12x 50	931	AISI 304
112	3	55-754-027	Hexagon socket screw	M10x 25	912	AISI 304
115	2	55-754-077	Hexagon socket screw	M 8x 20	912	AISI 304
117	4	55-755-083	Nut	M12	934	AISI 304
118	4	55-758-095	Washer	(M12)	125	AISI 304
121	1	55-761-002	Gasket	Ø140xØ105x2		CR
125	1	55-912-054	Shackle	10mm		AISI 316
107	1	55-710-298-NG	Suspension bracket	V mh200b	2158	GGG 40
111	4	55-753-152	Hexagon-head bolt	M12x 50	931	AISI 304
115	3	55-754-029	Hexagon socket screw	M 8x 25	912	AISI 304
117	4	55-755-083	Nut	M12	934	AISI 304
121	1	55-761-002	Gasket	Ø140xØ105x2		CR
121	(1)	55-761-057	Gasket	Ø150xØ 97x2		CR
125	1	55-912-054	Shackle	10mm		AISI 316

RW4041DU- B00
315.00
Basic version

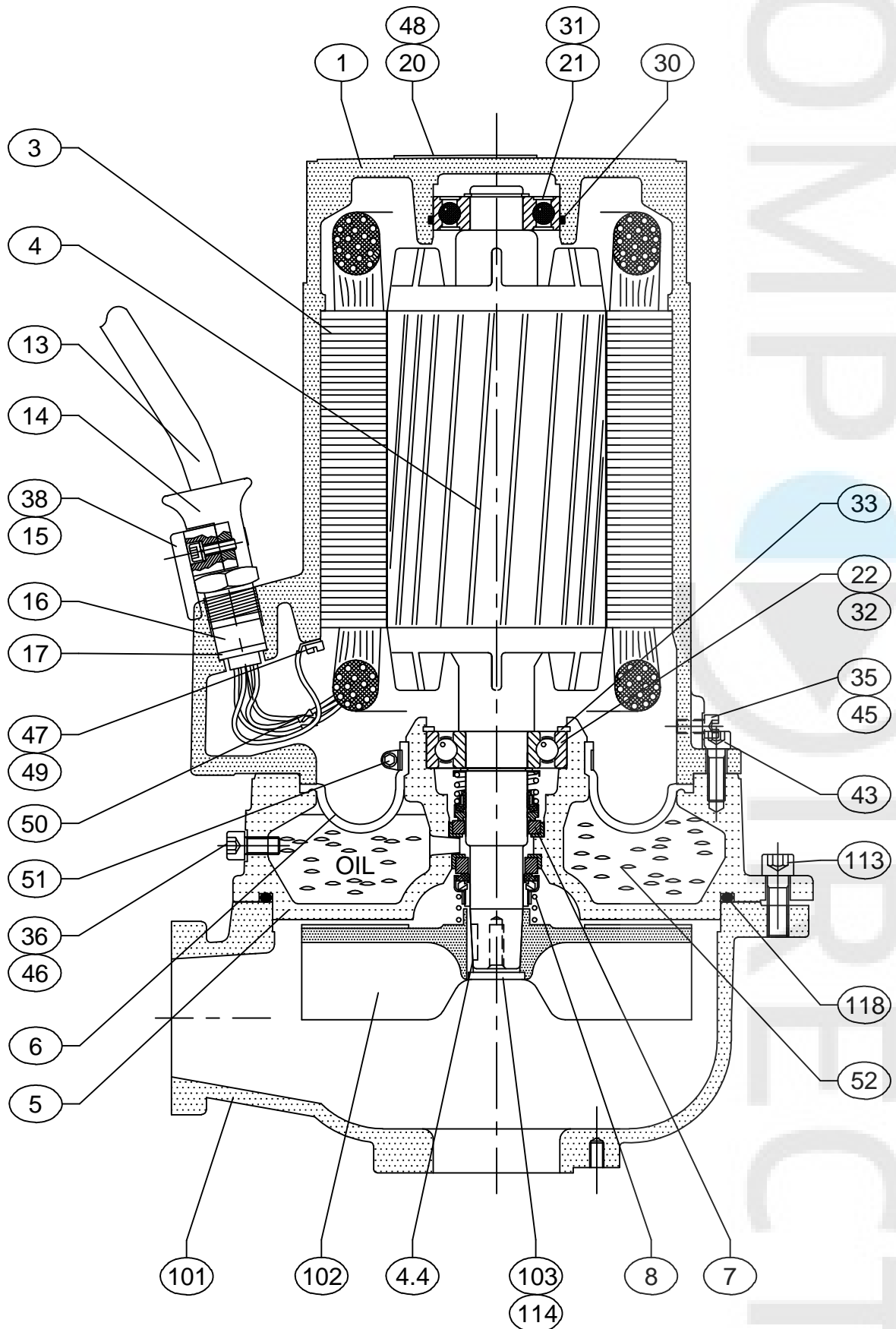


Partlist 315P1
Draw.nr. 270N1
Date 02-1988

Pos	Qty	Art.Code	Description		DIN	Model	Material
837602							
36	1	55-709-016-RZ	Cable entry	G 7/8"	-	2221	AISI 316
38	1	55-709-051	Cable sleeve	27.5x22	-		CR
39	2	55-709-052	Pressing ring	27.5x3	-		CuZn 40
940947							
13	1	55-709-225	Cable	Subcab 7G1.5mm2	-		CR / EPR / Cu
14	1	55-709-002-RZ	Cable entry	G 7/8"	-	2209A	AISI 316
15	1	55-709-004-RZ	Clamp	Ø15-17	-	2210	AISI 316
16	1	55-709-029	Cable sleeve	27.5x16x23	-		CR
17	2	55-709-167	Pressing ring	27.5x18x4	-		CuZn 40



Parts list drawing



Parts list drawing

