

Pos	Qty	Art.Code	Description		DIN	Model	Material
1	1	55-700-180-GG	Motor housing	mh170	-	1905	GG 25
3	1	55-702-339-BE	Stator with thermo switches	7.5 kW-4	-	020-2103140D	
4	1	55-703-301-SC	Rotor	7.5 kW-4	-	030-3103140D	C 40
4.4	1	55-756-011	Key	8x 7x30	6885A		Fe
5	1	55-704-140-GG	Seal housing	RW40	-	1906A	GG 25
6	1	55-704-144-NI	Membrane	RW/RT40	-		NBR
7	1	55-706-314	Mechanical seal	Ø35	-		Carb/ceramic/N
8	1	55-706-318	Mechanical seal	Ø30	-		SiC/SiC/NBR
20	1	55-713-210-RZ	Data plate	Robot Pumps	-		AISI 316
21	1	55-750-108	Ball bearing	6304 2RSH /C3 GJN	-		
22	1	55-750-054	Ball bearing	6307-2Z-C3	-		
30	1	55-751-004	O-ring	52.39x 3.53	-		NBR
31	1	55-752-002	Circlip	A 20x1.2	471		spring steel
32	1	55-752-004	Circlip	A 35x1.5	471		spring steel
33	1	55-752-031	Circlip	J 80x2.5	472		spring steel
35	1	55-754-028	Hexagon socket screw	M 8x 16	912		AISI 304
36	3	55-754-092	Hexagon socket screw	M10x 20	912		AISI 304
38	2	55-754-082	Hexagon socket screw	M 6x 20	912		AISI 304
43	4	55-754-079	Hexagon socket screw	M10x 30	912		AISI 304
45	1	55-756-028	Dubo ring	M 8 type 303	-		PA 6.6
46	3	55-756-027	Dubo ring	M10 type 305	-		PA 6.6
47	1	55-757-083	Slotted head screw	M 6x 8	84a		CuZn 40
48	4	55-757-076	Data plate rivet	2.9x6.5	-		AISI 316
49	1	55-759-002	Cable lug	M 6 (2.5mm2)	-		
50	3	55-759-007	Cable connector	(2.5mm2)	-		
51	1	55-906-067	Hose clamp	90-110 mm	-		RVS
52	1	55-906-069	Oil	Marcol 152	-		
101	1	55-701-147-GG	Pump casing	RW2030/40 RW4030/40	-	1487	GG 25
102	1	55-708-283-NG	Impeller	250 RW4030	-	1897	GGG 40
103	1	55-713-226-RU	Impeller hubcap	Ø30xØ9x4	-	713-226	AISI 329
113	4	55-754-080	Hexagon socket screw	M12x 35	912		AISI 304
114	1	55-754-125	Hexagon socket screw	M 8x 40	912		AISI 304

Supplement installation -F and -T

109	1	55-710-264-NG	Suspension bracket	V mh170b	-	2177	GGG 40
109	(1)	55-712-144-GG	Hose connection	4"-3-90gr.	-	1789	GG 25
109	(1)	55-712-183-GG	Hose connection	4"-90gr. (SL)	-	2091	GG 25
109	1	55-712-143-GG	Hose connection	4"-90gr.	-	1788	GG 25
109	(1)	55-712-194-ST	Thread connection	NPT 4"-90gr.Bu	-		Fe 360
111	4	55-753-152	Hexagon-head bolt	M12x 50	931		AISI 304
111	(4)	55-753-158	Stud bolt	M12x 35	939		AISI 316
117	4	55-755-083	Nut	M12	934		AISI 304
118	4	55-758-095	Washer	(M12)	125		AISI 304
121	3	55-754-077	Hexagon socket screw	M 8x 20	912		AISI 304
121	1	55-761-002	Gasket	Ø140xØ105x2	-		CR
125	1	55-912-054	Shackle	10mm	-		AISI 316
130	1	55-715-066-ST	Support ring	W20/40/60-Ø100	-		Fe galv.
131	3	55-754-027	Hexagon socket screw	M10x 25	912		AISI 304

Supplement installation -H

107	1	55-710-305-ST	Suspension bracket	H 20g/40	-		Fe 360
109	1	55-712-053-GG	Hose connection	4"	-	1293	GG 25
109	(1)	55-712-134-GG	Hose connection	3"-4	-	1735	GG 25
109	(1)	55-712-054-GG	Hose connection	6"-4	-	1748	GG 25
110	1	55-712-131-GG	Suction elbow	4"	-	1467A	GG 25
111	4	55-753-152	Hexagon-head bolt	M12x 50	931		AISI 304
112	3	55-754-027	Hexagon socket screw	M10x 25	912		AISI 304
115	2	55-754-077	Hexagon socket screw	M 8x 20	912		AISI 304
117	4	55-755-083	Nut	M12	934		AISI 304
118	4	55-758-095	Washer	(M12)	125		AISI 304
121	1	55-761-002	Gasket	Ø140xØ105x2	-		CR
125	1	55-912-054	Shackle	10mm	-		AISI 316

Supplement installation -V

107	1	55-710-264-NG	Suspension bracket	V mh170b	-	2177	GGG 40
111	4	55-753-152	Hexagon-head bolt	M12x 50	931		AISI 304
115	3	55-754-077	Hexagon socket screw	M 8x 20	912		AISI 304

RW4030DO- B00

271.00

Basic version



Partslist 271P1

Draw.nr. 270N1

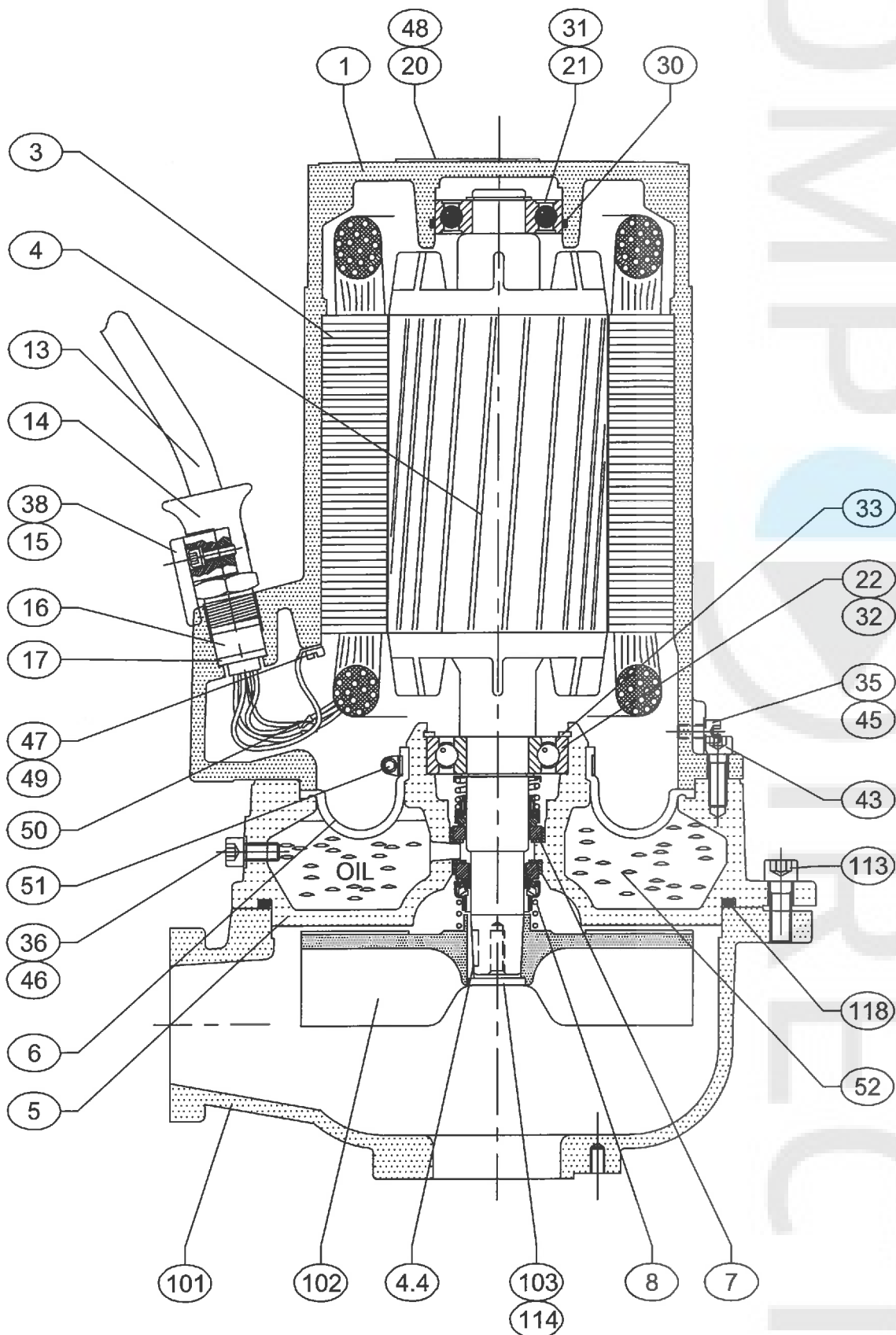
Date 01-1988

Pos	Qty	Art.Code	Description		DIN	Model	Material
117	4	55-755-083	Nut	M12	934		AISI 304
118	4	55-758-095	Washer	(M12)	125		AISI 304
121	1	55-761-002	Gasket	Ø140xØ105x2	-		CR
121	(1)	55-761-057	Gasket	Ø150xØ 97x2	-		CR
125	1	55-912-054	Shackle	10mm	-		AISI 316

Cable list YD 220 - 500V 50Hz

13	1	55-709-225	Cable	7G1.5mm2	-		CR / EPR / Cu
14	1	55-709-002-RZ	Cable entry	G 7/8"	-	2209A	AISI 316
15	1	55-709-004-RZ	Clamp	Ø15-17	-	2210	AISI 316
16	1	55-709-029	Cable sleeve	27.5x16x23	-		CR
17	2	55-709-167	Pressing ring	27.5x18x4	-		CuZn 40

Parts list drawing



Parts list drawing

