

Robot Pumps RW4021BR 687.00

1	1	55-700-221-RZ	Motor housing	mh200	-	2203	AISI 316
3	1	55-702-267-YE	Stator with thermo switches	9.5 kW-2	-	020-2110130B	
4	1	55-703-444-RZ	Rotor	9.5 kW-2	-	030-3110130B	AISI 316/431
5	1	55-750-109	Ball bearing	6306 2RS1 /C3 GJN	628		
6	1	55-750-054	Ball bearing	6307-2Z-C3	-		
10	1	55-704-187-RZ	Seal housing	RW40-R	-	2202	AISI 316
12	1	55-706-350	Mechanical seal	Ø35	-		Carbon/ceramic/NBR
13	1	55-706-317	Mechanical seal	Ø30	-		SiC/SiC/FPM
15	1	55-707-221-RZ	Bearing housing	RW40- R	-	2201	AISI 316
16	1	55-707-222-RZ	Bearing retainer	M 90x2	-		AISI 316
19	1	55-706-351-RZ	Seal sleeve		-	2217	RVS 316
56	1	55-713-210-RZ	Data plate	Robot Pumps	-		AISI 316
59	1	55-751-191	O-ring	71.44x 3.53	-		FPM
60	1	55-751-182	O-ring	78.97x 3.53	-		FPM
61	1	55-751-181	O-ring	221.84x 3.53	-		FPM
62	1	55-751-181	O-ring	221.84x 3.53	-		FPM
66	1	55-752-003	Circlip	A 30x1.5	471		spring steel
67	1	55-752-004	Circlip	A 35x1.5	471		spring steel
69	1	55-752-004	Circlip	A 35x1.5	471		spring steel
70	1	55-757-083	Slotted head screw	M 6x 8	84a		CuZn 40
71	1	55-754-197	Hexagon socket screw	M 8x 12	912		AISI 316
73	4	55-754-181	Hexagon socket screw	M10x 20	912		AISI 316
74	2	55-754-165	Hexagon socket screw	M 8x 20	912		AISI 316
75	4	55-754-213	Hexagon socket screw	M10x 50	912		AISI 316
81	3	55-754-085	Hexagon socket screw	M 6x 16	912		AISI 316
83	1	55-756-101	Key	6x 6x20	6885A		AISI 316
84	1	55-756-127	Seal ring	(M 8)	-		PTFE
85	4	55-756-128	Seal ring	(M10)	-		PTFE
87	8	55-757-076	Data plate rivet	2.9x6.5	-		AISI 316
94	1	55-759-002	Cable lug	M 6 (2.5mm2)	-		
96	1	55-906-069	Oil	Marcol 152	-		
101	1	55-701-204-RZ	Pump casing	RW4020/21-R	-	2085	AISI 316
118	1	55-751-221	O-ring	249.3x 5.7	-		FPM
124	4	55-754-182	Hexagon socket screw	M12x 35	912		AISI 316
140	1	55-708-369-RZ	Impeller	180 RW4021/31/32	-	2088	AISI 316
141	1	55-713-226-RU	Impeller hubcap	ø30xø9x4	-	713-226	AISI 329
145	1	55-754-117	Hex. sock. screw counter sunk.	M 8x 18	Spec		AISI 316

Supplement installation -F

203	1	55-912-054	Shackle	10mm	-		AISI 316
210	1	55-712-201-RZ	Hose connection	3"-90gr.	-	2297	AISI 316
211	4	55-753-265	Stud bolt	M10x 30	939		AISI 316
213	4	55-755-097	Nut	M10	934		AISI 316
214	4	55-758-101	Washer	(M10)	125		AISI 316
218	1	55-761-062	Gasket	Ø108xØ 75x2	-		FPM
230	1	55-715-119-RZ	Support ring	stc 114 en stc 138	-		AISI 316
231	3	55-754-165	Hexagon socket screw	M 8x 20	912		AISI 316

Supplement installation -H

200	1	55-710-306-RZ	Suspension bracket	H	-		AISI 316
201	2	55-754-168	Hexagon socket screw	M10x 55	912		AISI 316
203	1	55-912-054	Shackle	10mm	-		AISI 316
210	1	55-712-135-RZ	Hose connection	3"	-	1760	AISI 316
211	4	55-753-215	Hexagon-head bolt	M10x 45	931		AISI 316
213	4	55-755-097	Nut	M10	934		AISI 316
214	4	55-758-101	Washer	(M10)	125		AISI 316
218	1	55-761-062	Gasket	Ø108xØ 75x2	-		FPM
220	1	55-712-167-RZ	Suction elbow	3"	-		AISI 316
221	3	55-754-165	Hexagon socket screw	M 8x 20	912		AISI 316

Supplement installation -V

203	1	55-912-054	Shackle	10mm	-		AISI 316
211	4	55-753-215	Hexagon-head bolt	M10x 45	931		AISI 316
213	4	55-755-097	Nut	M10	934		AISI 316
214	4	55-758-101	Washer	(M10)	125		AISI 316
218	1	55-761-062	Gasket	Ø108xØ 75x2	-		FPM

Auxiliary cable (optional)

35	1	55-709-086	Cable	4x2.5mm2 Ø15.6- Ø16.6	-		Protomont
36	1	55-709-002-RZ	Cable entry	G 7/8"	-	2209A	AISI 316
37	1	55-709-004-RZ	Clamp	Ø15-17	-	2210	AISI 316
38	1	55-709-029	Cable sleeve	27.5x16x23	-		CR
39	2	55-709-343	Pressing ring	27.5x17.5x4	-		AISI 316
45	2	55-754-085	Hexagon socket screw	M 6x 16	912		AISI 316
48	3	55-759-007	Cable connector	(2.5mm2)	-		

Entry- blind

36	1	55-709-016-RZ	Cable entry	G 7/8"	-	2221	AISI 316
38	1	55-709-051	Cable sleeve	27.5x23	-		CR
39	2	55-709-323	Pressing ring	27.5x4	-		AISI 316

Cable list YD 380 - 500V 50Hz

35	1	55-709-074	Cable	7x2.5mm2 Ø18.0-Ø21.0	-		Protomont
36	1	55-709-002-RZ	Cable entry	G 7/8"	-	2209A	AISI 316
37	1	55-709-005-RZ	Clamp	Ø18-21	-	2211	AISI 316
38	1	55-709-030	Cable sleeve	27.5x19x23	-		CR
39	2	55-709-235	Pressing ring	27.5x19.5x4	-		AISI 316
45	2	55-754-085	Hexagon socket screw	M 6x 16	912		AISI 316
48	6	55-759-007	Cable connector	(2.5mm2)	-		

Option: cable protection sleeve (AISI 316)

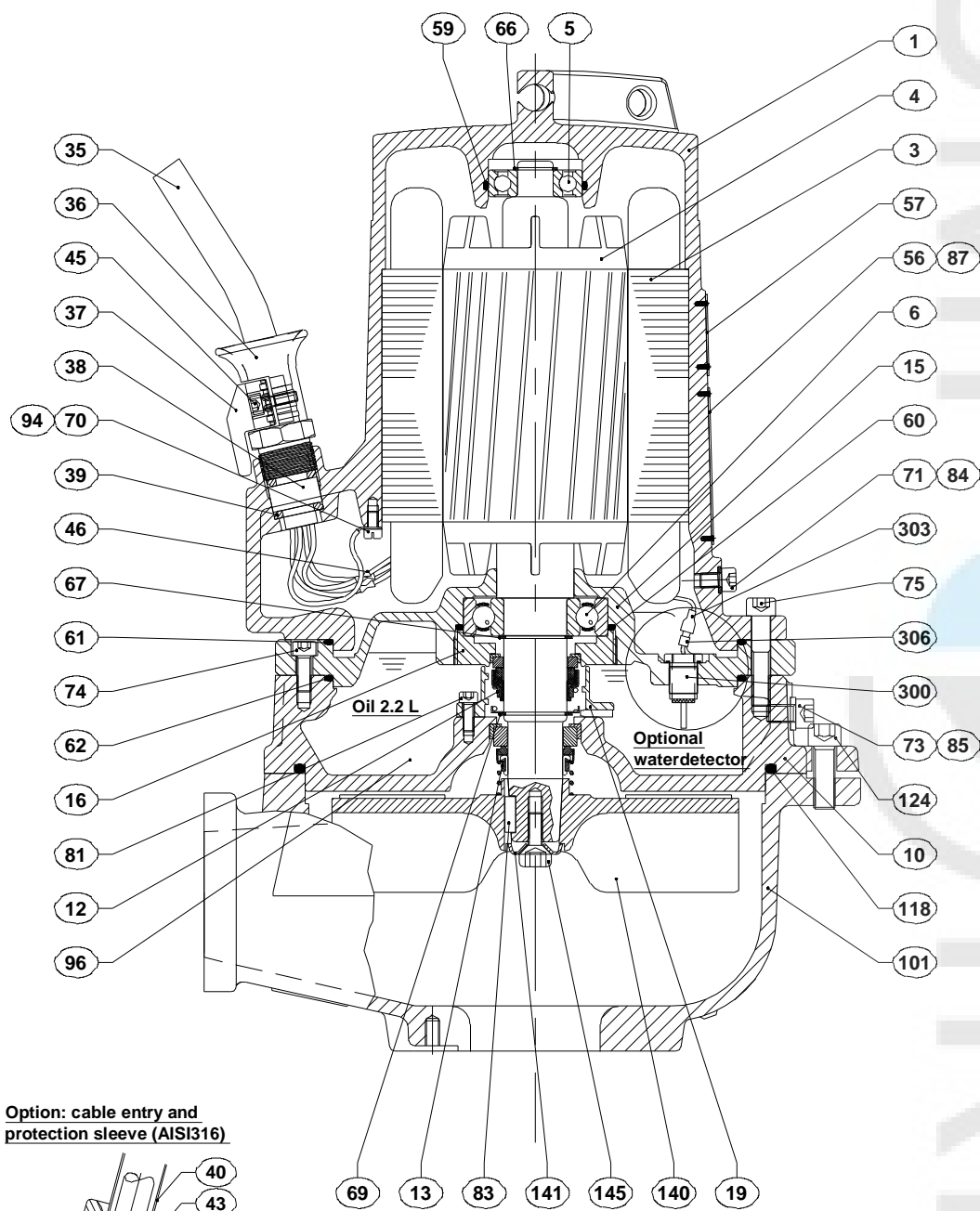
36	1/2	55-709-316-RZ	Cable entry	G 7/8"-G1"	-	2101	AISI 316
37	(1/2)	55-709-317-RZ	Clamp	Ø15-17	-	2102	AISI 316
37	(1/2)	55-709-318-RZ	Clamp	Ø18-21	-	2103	AISI 316
40	1/2	55-709-270	Cable hose	Ø25 l=3 m	-		AISI 316
40	(1/2)	55-709-314	Cable hose	Ø25 l=5 m	-		AISI 316
40	(1/2)	55-709-348	Cable hose	Ø25 l=10 m	-		AISI 316
41	1/2	55-751-145	O-ring	25.07x 2.62	-		FPM
42	1/2	55-760-145	Gasket	Ø 23xØ 19x2	-		Teflon
43	1/2	55-709-301	Seal ring	30x22x2	-		PTFE
44	1/2	55-709-409	Tube	Ø22x24 l=24	-		PA 66
45	2/4	55-754-085	Hexagon socket screw	M 6x 16	912		AISI 316
46	2/4	55-758-088	Lock washer	(M 6)	127a		AISI 316

Option: waterdetector

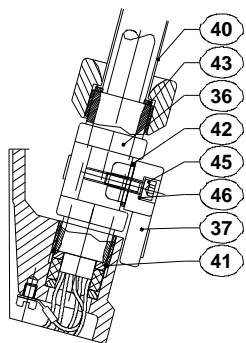
15	1	55-707-221-RZ-W	Bearing housing	RW40- R	-	2201	AISI 316
300	1	55-717-122	Water detector	M16x1.5	-		
303	1	55-759-083	Wire clamp	(2.5mm2)	-		
306	1	55-759-105	Contact lip	(2.5mm2)	-		



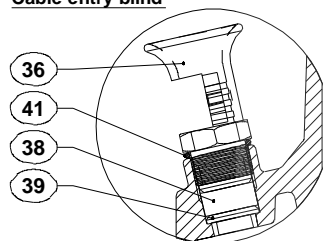
Parts list drawing



Option: cable entry and protection sleeve (AISI316)



Cable entry blind



Parts list drawing

