

| Pos | Qty | Art.Code | Description | | DIN | Model | Material |
|-----|-----|---------------|------------------------------|-------------------|-------|--------------|----------------|
| 1 | 1 | 55-700-180-GG | Motor housing | mh170 | - | 1905 | GG 25 |
| 3 | 1 | 55-702-350-BE | Stator with thermo switches | 5 kW-2 | - | 020-2090100B | |
| 3 | (1) | 55-702-350-DE | Stator with thermo switches | 5 kW-2 | - | 020-2090100B | |
| 4 | 1 | 55-703-443-RM | Rotor | 5 kW-2 | - | 030-3090100B | AISI 431 |
| 5 | 1 | 55-750-108 | Ball bearing | 6304 2RSH /C3 GJN | - | | |
| 6 | 1 | 55-750-054 | Ball bearing | 6307-2Z-C3 | - | | |
| 10 | 1 | 55-704-140-GG | Seal housing | RW40 | - | 1906A | GG 25 |
| 11 | 1 | 55-704-144-NI | Membrane | RW/RT40 | - | | NBR |
| 12 | 1 | 55-706-314 | Mechanical seal | Ø35 | - | | Carb/ceramic/N |
| 13 | 1 | 55-706-318 | Mechanical seal | Ø30 | - | | SiC/SiC/NBR |
| 56 | 1 | 55-713-210-RZ | Data plate | Robot Pumps | - | | AISI 316 |
| 59 | 1 | 55-751-004 | O-ring | 52.39x 3.53 | - | | NBR |
| 66 | 1 | 55-752-002 | Circlip | A 20x1.2 | 471 | | spring steel |
| 67 | 1 | 55-752-004 | Circlip | A 35x1.5 | 471 | | spring steel |
| 68 | 1 | 55-752-031 | Circlip | J 80x2.5 | 472 | | spring steel |
| 70 | 1 | 55-757-083 | Slotted head screw | M 6x 8 | 84a | | CuZn 40 |
| 71 | 1 | 55-754-157 | Hexagon socket screw | M 8x 12 | 912 | | AISI 304 |
| 73 | 3 | 55-754-092 | Hexagon socket screw | M10x 20 | 912 | | AISI 304 |
| 74 | 4 | 55-754-079 | Hexagon socket screw | M10x 30 | 912 | | AISI 304 |
| 83 | 1 | 55-756-101 | Key | 6x 6x20 | 6885A | | AISI 316 |
| 84 | 1 | 55-756-028 | Dubo ring | M 8 type 303 | - | | PA 6.6 |
| 85 | 3 | 55-756-027 | Dubo ring | M10 type 305 | - | | PA 6.6 |
| 87 | 8 | 55-757-076 | Data plate rivet | 2.9x6.5 | - | | AISI 316 |
| 94 | 1 | 55-759-002 | Cable lug | M 6 (2.5mm2) | - | | |
| 95 | 1 | 55-906-067 | Hose clamp | 90-110 mm | - | | RVS |
| 96 | 1 | 55-906-069 | Oil | Marcol 152 | - | | |
| 101 | 1 | 55-701-148-GG | Pump casing | RW2020/4020/21 | - | 1907 | GG 25 |
| 118 | (1) | 55-751-036 | O-ring | 229.3x 5.7 | - | | NBR |
| 118 | (1) | 55-751-176 | O-ring | 249.3x 5.7 | - | | NBR |
| 124 | 4 | 55-754-080 | Hexagon socket screw | M12x 35 | 912 | | AISI 304 |
| 140 | 1 | 55-708-366-NG | Impeller | 180 RW4021/31/32 | - | 1943 | GGG 40 |
| 141 | 1 | 55-713-226-RU | Impeller hubcap | Ø30xØ9x4 | - | 713-226 | AISI 329 |
| 145 | 1 | 55-754-117 | Hex. sock. screw counter sun | M 8x 18 | Spec | | AISI 316 |

Supplement installation -F and -T

| | | | | | | | |
|-----|-----|---------------|----------------------|--------------------|-----|------|----------|
| 200 | 1 | 55-710-264-NG | Suspension bracket | V mh170b | - | 2177 | GGG 40 |
| 201 | 3 | 55-754-029 | Hexagon socket screw | M 8x 25 | 912 | | AISI 304 |
| 203 | 1 | 55-912-054 | Shackle | 10mm | - | | AISI 316 |
| 206 | 3 | 55-758-083 | Washer | (M 8) | 125 | | AISI 304 |
| 210 | 1 | 55-712-201-GG | Hose connection | 3"-90gr. | - | 2121 | GG 25 |
| 210 | (1) | 55-712-200-gg | Thread connection | G 3"- 90gr.Bu | - | 2130 | GG 25 |
| 211 | 4 | 55-753-032 | Stud bolt | M10x 30 | 939 | | AISI 304 |
| 213 | 4 | 55-755-029 | Nut | M10 | 934 | | AISI 304 |
| 214 | 4 | 55-758-081 | Washer | (M10) | 125 | | AISI 304 |
| 218 | 1 | 55-761-001 | Gasket | Ø108xØ 75x2 | - | | CR |
| 230 | 1 | 55-715-119-ST | Support ring | stc 114 en stc 138 | - | | Fe galv |
| 231 | 3 | 55-754-029 | Hexagon socket screw | M 8x 25 | 912 | | AISI 304 |

Supplement installation -H

| | | | | | | | |
|-----|-----|---------------|----------------------|-------------|-----|------|----------|
| 200 | 1 | 55-710-261-ST | Suspension bracket | H-20g/40 | - | | Fe galv. |
| 201 | 2 | 55-754-077 | Hexagon socket screw | M 8x 20 | 912 | | AISI 304 |
| 203 | 1 | 55-912-054 | Shackle | 10mm | - | | AISI 316 |
| 210 | 1 | 55-712-051-GG | Hose connection | 3" | - | 1296 | GG 25 |
| 210 | (1) | 55-712-052-GG | Hose connection | 4"-3 | - | 1114 | GG 25 |
| 211 | 4 | 55-753-166 | Hexagon-head bolt | M10x 50 | 931 | | AISI 304 |
| 213 | 4 | 55-755-029 | Nut | M10 | 934 | | AISI 304 |
| 214 | 4 | 55-758-081 | Washer | (M10) | 125 | | AISI 304 |
| 218 | 1 | 55-761-001 | Gasket | Ø108xØ 75x2 | - | | CR |
| 220 | 1 | 55-712-129-GG | Suction elbow | 3" | - | 1466 | GG 25 |
| 221 | 3 | 55-754-029 | Hexagon socket screw | M 8x 25 | 912 | | AISI 304 |

Supplement installation -V

| | | | | | | | |
|-----|---|---------------|----------------------|----------|-----|------|----------|
| 200 | 1 | 55-710-264-NG | Suspension bracket | V mh170b | - | 2177 | GGG 40 |
| 201 | 3 | 55-754-029 | Hexagon socket screw | M 8x 25 | 912 | | AISI 304 |
| 203 | 1 | 55-912-054 | Shackle | 10mm | - | | AISI 316 |
| 206 | 3 | 55-758-083 | Washer | (M 8) | 125 | | AISI 304 |
| 211 | 4 | 55-753-166 | Hexagon-head bolt | M10x 50 | 931 | | AISI 304 |

| Pos | Qty | Art.Code | Description | | DIN | Model | Material |
|-----|-----|------------|-------------|-------------|-----|-------|----------|
| 213 | 4 | 55-755-029 | Nut | M10 | 934 | | AISI 304 |
| 214 | 4 | 55-758-081 | Washer | (M10) | 125 | | AISI 304 |
| 218 | 1 | 55-761-001 | Gasket | Ø108xØ 75x2 | - | | CR |

Cable list YD 220 - 500V 50Hz

| | | | | | | | |
|----|---|---------------|----------------------|------------|-----|-------|---------------|
| 35 | 1 | 55-709-225 | Cable | 7G1.5mm2 | - | | CR / EPR / Cu |
| 36 | 1 | 55-709-002-RZ | Cable entry | G 7/8" | - | 2209A | AISI 316 |
| 37 | 1 | 55-709-004-RZ | Clamp | Ø15-17 | - | 2210 | AISI 316 |
| 38 | 1 | 55-709-029 | Cable sleeve | 27.5x16x23 | - | | CR |
| 39 | 2 | 55-709-167 | Pressing ring | 27.5x18x4 | - | | CuZn 40 |
| 45 | 2 | 55-754-093 | Hexagon socket screw | M 6x 16 | 912 | | AISI 304 |
| 48 | 6 | 55-759-007 | Cable connector | (2.5mm2) | - | | |

Cable list YD 220 - 500V with 3 aux. leaders 50Hz

| | | | | | | | |
|----|---|---------------|----------------------|------------------------|-----|-------|----------|
| 35 | 1 | 55-709-306 | Cable | 10x1.5mm2 Ø18.6- Ø19.6 | - | | Ozoflex |
| 36 | 1 | 55-709-002-RZ | Cable entry | G 7/8" | - | 2209A | AISI 316 |
| 37 | 1 | 55-709-005-RZ | Clamp | Ø18-21 | - | 2211 | AISI 316 |
| 38 | 1 | 55-709-030 | Cable sleeve | 27.5x19x23 | - | | CR |
| 39 | 2 | 55-709-010 | Pressing ring | 27.5x19.5x4 | - | | CuZn 40 |
| 45 | 2 | 55-754-093 | Hexagon socket screw | M 6x 16 | 912 | | AISI 304 |
| 48 | 9 | 55-759-007 | Cable connector | (2.5mm2) | - | | |

Option: cable entry and protection sleeve (AISI 316)

| | | | | | | | |
|----|-----|---------------|----------------------|-------------|------|------|----------|
| 36 | 1 | 55-709-316-RZ | Cable entry | G 7/8"-G1" | - | 2101 | AISI 316 |
| 37 | 1 | 55-709-318-RZ | Clamp | Ø18-21 | - | 2103 | AISI 316 |
| 40 | 1 | 55-709-270 | Cable hose | Ø25 l=3 m | - | | AISI 316 |
| 40 | (1) | 55-709-314 | Cable hose | Ø25 l=5 m | - | | AISI 316 |
| 40 | (1) | 55-709-348 | Cable hose | Ø25 l=10 m | - | | AISI 316 |
| 41 | 1 | 55-751-145 | O-ring | 25.07x 2.62 | - | | FPM |
| 42 | 1 | 55-760-145 | Gasket | Ø 23xØ 19x2 | - | | Teflon |
| 43 | 1 | 55-709-301 | Seal ring | 30x22x2 | - | | PTFE |
| 45 | 2 | 55-754-085 | Hexagon socket screw | M 6x 16 | 912 | | AISI 316 |
| 46 | (2) | 55-758-088 | Lock washer | (M 6) | 127a | | AISI 316 |

Option: rotorshaft with AISI 316 shaftend

| | | | | | | | |
|---|---|---------------|-------|--------|---|--------------|--------------|
| 4 | 1 | 55-703-443-RZ | Rotor | 5 kW-2 | - | 030-3090100B | AISI 316/431 |
|---|---|---------------|-------|--------|---|--------------|--------------|

Optional viton seals

| | | | | | | | |
|-----|---|---------------|-----------------|-------------|---|--|-------------|
| 11 | 1 | 55-704-144-VI | Membrane | RW/RD40 | - | | FPM |
| 13 | 1 | 55-706-317 | Mechanical seal | Ø30 | - | | SiC/SiC/FPM |
| 84 | 1 | 55-756-127 | Seal ring | (M 8) | - | | PTFE |
| 85 | 3 | 55-756-128 | Seal ring | (M10) | - | | PTFE |
| 118 | 1 | 55-751-221 | O-ring | 249.3x 5.7 | - | | FPM |
| 218 | 1 | 55-761-060 | Gasket | Ø140xØ105x2 | - | | FPM |

Option: impeller in special material

| | | | | | | | |
|-----|---|---------------|----------|------------------|---|------|----------|
| 140 | 1 | 55-708-369-RZ | Impeller | 180 RW4021/31/32 | - | 2088 | AISI 316 |
|-----|---|---------------|----------|------------------|---|------|----------|

Option: waterdetector

| | | | | | | | |
|-----|---|------------|----------------|--|---|--|--|
| 300 | 1 | 55-717-064 | Water detector | | - | | |
|-----|---|------------|----------------|--|---|--|--|

Option: zincanode

| | | | | | | | |
|-----|-----|------------|----------------------|-------------------|-----|--|----------|
| 500 | 1 | 55-717-111 | Anode | Ø 75 | - | | Zn |
| 501 | 3 | 55-717-115 | Distance tube | Ø 20x Ø 10 l=12mm | - | | AISI 304 |
| 502 | (3) | 55-754-029 | Hexagon socket screw | M 8x 25 | 912 | | AISI 304 |
| 231 | (3) | 55-754-030 | Hexagon socket screw | M 8x 35 | 912 | | AISI 304 |

RW4021BJ- B00
363.01
Basic version

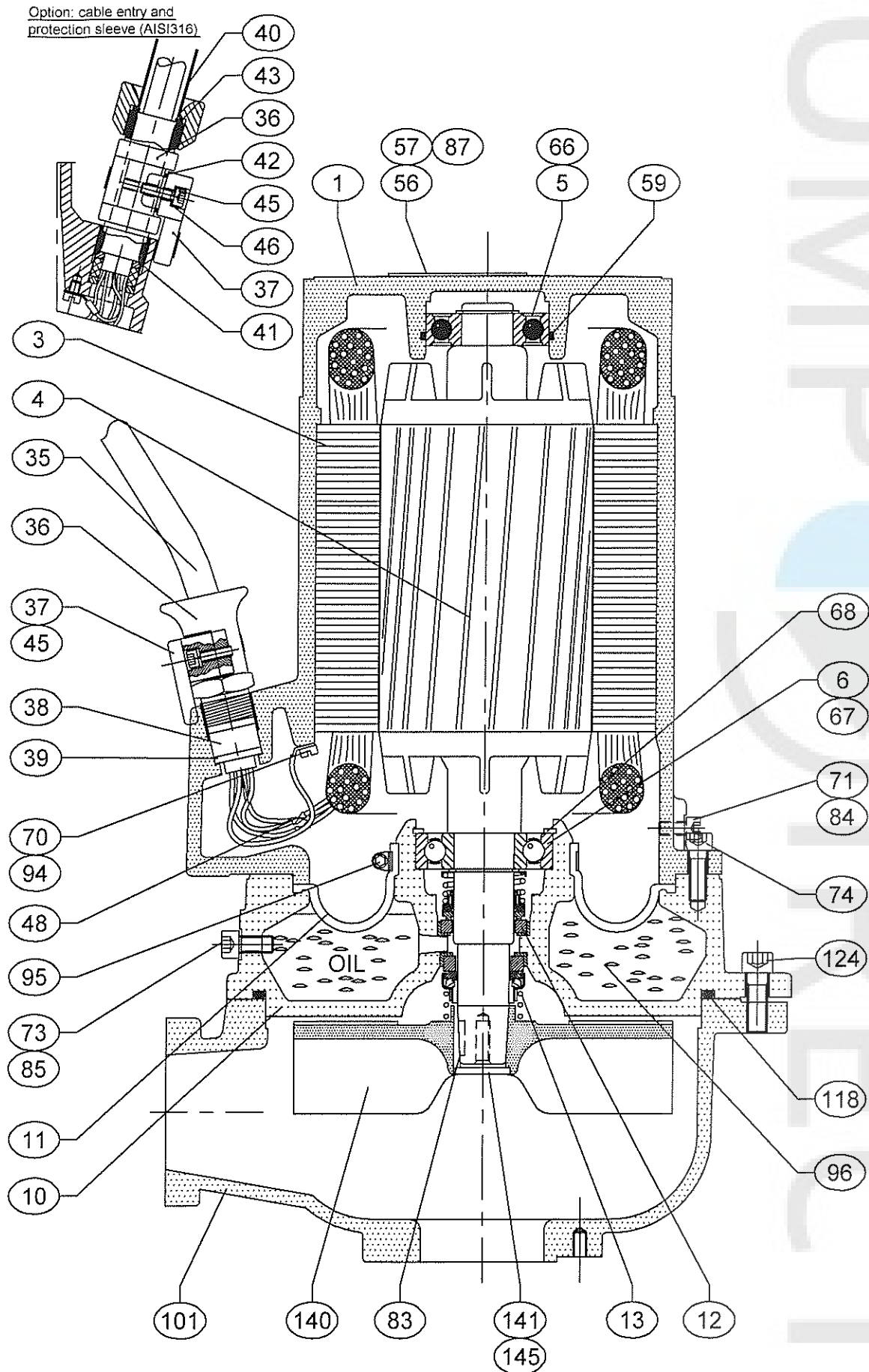


Partslist P363-BJ-01
Draw.nr. 270N3
Date 03-1999

| Pos | Qty | Art.Code | Description | DIN | Model | Material |
|-----|-----|----------|-------------|-----|-------|----------|
|-----|-----|----------|-------------|-----|-------|----------|



Parts list drawing



Parts list drawing

