

Pos	Qty	Art.Code	Description		DIN	Model	Material
1	1	55-700-180-GG	Motor housing	mh170	-	1905	GG 25
3	1	55-702-350-BE	Stator with thermo switches	5 kW-2	-	020-2090100B	
4	1	55-703-337-SC	Rotor	5 kW-2	-	030-3090100B	C 40
4.4	1	55-756-011	Key	8x 7x30	6885A		Fe
5	1	55-704-140-GG	Seal housing	RW40	-	1906A	GG 25
6	1	55-704-144-NI	Membrane	RW/RT40	-		NBR
7	1	55-706-314	Mechanical seal	Ø35	-		Carb/ceramic/N
8	1	55-706-318	Mechanical seal	Ø30	-		SiC/SiC/NBR
20	1	55-713-210-RZ	Data plate	Robot Pumps	-		AISI 316
21	1	55-750-108	Ball bearing	6304 2RSH /C3 GJN	-		
22	1	55-750-054	Ball bearing	6307-2Z-C3	-		
30	1	55-751-004	O-ring	52.39x 3.53	-		NBR
31	1	55-752-002	Circlip	A 20x1.2	471		spring steel
32	1	55-752-004	Circlip	A 35x1.5	471		spring steel
33	1	55-752-031	Circlip	J 80x2.5	472		spring steel
35	1	55-754-028	Hexagon socket screw	M 8x 16	912		AISI 304
36	3	55-754-092	Hexagon socket screw	M10x 20	912		AISI 304
38	2	55-754-082	Hexagon socket screw	M 6x 20	912		AISI 304
43	4	55-754-079	Hexagon socket screw	M10x 30	912		AISI 304
45	1	55-756-028	Dubo ring	M 8 type 303	-		PA 6.6
46	3	55-756-027	Dubo ring	M10 type 305	-		PA 6.6
47	1	55-757-083	Slotted head screw	M 6x 8	84a		CuZn 40
48	4	55-757-076	Data plate rivet	2.9x6.5	-		AISI 316
49	1	55-759-002	Cable lug	M 6 (2.5mm2)	-		
50	3	55-759-007	Cable connector	(2.5mm2)	-		
51	1	55-906-067	Hose clamp	90-110 mm	-		RVS
52	1	55-906-069	Oil	Marcol 152	-		
101	1	55-701-148-GG	Pump casing	RW2020/4020/21	-	1907	GG 25
102	1	55-708-298-NG	Impeller	178 HW31/BW21	-	1943	GGG 40
103	1	55-713-226-RU	Impeller hubcap	Ø30xØ9x4	-	713-226	AISI 329
113	4	55-754-080	Hexagon socket screw	M12x 35	912		AISI 304
114	1	55-754-117	Hex. sock. screw counter sun	M 8x 18	Spec		AISI 316

#### Supplement installation -F and -T

107	1	55-710-264-NG	Suspension bracket	V mh170b	-	2177	GGG 40
109	1	55-712-201-GG	Hose connection	3"-90gr.	-	2121	GG 25
111	4	55-753-032	Stud bolt	M10x 30	939		AISI 304
115	3	55-754-077	Hexagon socket screw	M 8x 20	912		AISI 304
117	4	55-755-029	Nut	M10	934		AISI 304
118	4	55-758-081	Washer	(M10)	125		AISI 304
121	1	55-761-001	Gasket	Ø108xØ 75x2	-		CR
125	1	55-912-054	Shackle	10mm	-		AISI 316
130	1	55-715-119-ST	Support ring	stc 114 en stc 138	-		Fe galv
131	3	55-754-029	Hexagon socket screw	M 8x 25	912		AISI 304

#### Supplement installation -H

107	1	55-710-264-NG	Suspension bracket	V mh170b	-	2177	GGG 40
109	1	55-712-051-GG	Hose connection	3"	-	1296	GG 25
109	(1)	55-712-052-GG	Hose connection	4"-3	-	1114	GG 25
110	1	55-712-129-GG	Suction elbow	3"	-	1466	GG 25
111	4	55-753-142	Hexagon-head bolt	M10x 40	931		AISI 304
112	3	55-754-029	Hexagon socket screw	M 8x 25	912		AISI 304
115	3	55-754-077	Hexagon socket screw	M 8x 20	912		AISI 304
117	4	55-755-029	Nut	M10	934		AISI 304
121	1	55-761-001	Gasket	Ø108xØ 75x2	-		CR
125	1	55-912-054	Shackle	10mm	-		AISI 316

#### Supplement installation -V

107	1	55-710-264-NG	Suspension bracket	V mh170b	-	2177	GGG 40
111	4	55-753-166	Hexagon-head bolt	M10x 50	931		AISI 304
117	4	55-755-029	Nut	M10	934		AISI 304
121	1	55-761-001	Gasket	Ø108xØ 75x2	-		CR
121	(1)	55-761-056	Gasket	Ø110xØ 75x2	-		CR
125	1	55-912-054	Shackle	10mm	-		AISI 316

RW4021BJ- B00  
363.00  
Basic version

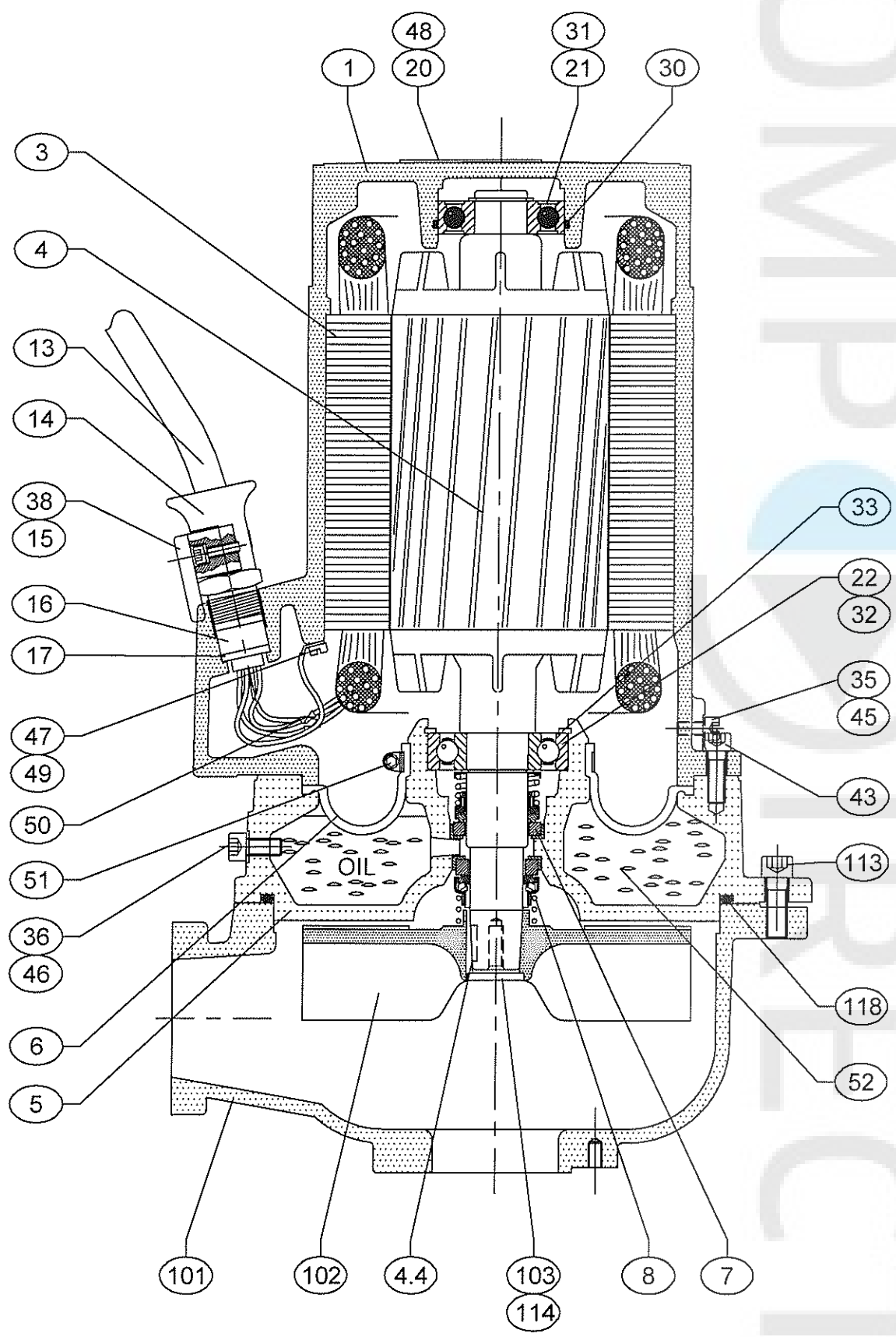


Partslist 270P0  
Draw.nr. 270N1  
Date 02-1983

Pos	Qty	Art.Code	Description		DIN	Model	Material
Cable list YD 220 - 500V 50Hz							
13	1	55-709-225	Cable	7G1.5mm2	-		CR / EPR / Cu
14	1	55-709-002-RZ	Cable entry	G 7/8"	-	2209A	AISI 316
15	1	55-709-004-RZ	Clamp	Ø15-17	-	2210	AISI 316
16	1	55-709-029	Cable sleeve	27.5x16x23	-		CR
17	2	55-709-167	Pressing ring	27.5x18x4	-		CuZn 40



# Parts list drawing



# Parts list drawing

