

## Robot Pumps RW4020DJ 270.01

1	1	55-700-180-GG	Motor housing	mh170	`	1905	GG 25
3	1	55-702-340-YU	Stator with thermo switches	6 kW-4	-	020-2103120D	
4	1	55-703-436-RM	Rotor	6 kW-4	-	030-3103120D	AISI 431
5	1	55-750-108	Ball bearing	6304 2RSH /C3 GJN	-		
6	1	55-750-054	Ball bearing	6307-2Z-C3	-		
10	1	55-704-140-GG	Seal housing	RW40	-	1906A	GG 25
11	1	55-704-144-NI	Membrane	RW/RT40	-		NBR
12	1	55-706-314	Mechanical seal	Ø35	-		Carb/ceramic/NBR
13	1	55-706-318	Mechanical seal	Ø30	-		SiC/SiC/NBR
56	1	55-713-210-RZ	Data plate	Robot Pumps	-		AISI 316
59	1	55-751-004	O-ring	52.39x 3.53	-		NBR
66	1	55-752-002	Circlip	A 20x1.2	471		spring steel
67	1	55-752-004	Circlip	A 35x1.5	471		spring steel
68	1	55-752-031	Circlip	J 80x2.5	472		spring steel
70	1	55-757-083	Slotted head screw	M 6x 8	84a		CuZn 40
71	1	55-754-157	Hexagon socket screw	M 8x 12	912		AISI 304
73	3	55-754-092	Hexagon socket screw	M10x 20	912		AISI 304
74	4	55-754-079	Hexagon socket screw	M10x 30	912		AISI 304
83	1	55-756-101	Key	6x 6x20	6885A		AISI 316
84	1	55-756-028	Dubo ring	M 8 type 303	-		PA 6.6
85	3	55-756-027	Dubo ring	M10 type 305	-		PA 6.6
87	8	55-757-076	Data plate rivet	2.9x6.5	-		AISI 316
94	1	55-759-002	Cable lug	M 6 (2.5mm2)	-		
95	1	55-906-067	Hose clamp	90-110 mm	-		RVS
96	1	55-906-069	Oil	Marcol 152	-		
101	1	55-701-148-GG	Pump casing	RW2020/4020/21	-	1907	GG 25
118	(1)	55-751-036	O-ring	229.3x 5.7	-		NBR
118	(1)	55-751-176	O-ring	249.3x 5.7	-		NBR
124	4	55-754-080	Hexagon socket screw	M12x 35	912		AISI 304
140	1	55-708-362-NG	Impeller	252 RW4020/40/BW20	-	2067	GGG 40
141	1	55-713-226-RU	Impeller hubcap	ø30xø9x4	-	713-226	AISI 329
145	1	55-754-117	Hex. sock. screw counter sunk.	M 8x 18	Spec		AISI 316

## Supplement installation -F and -T

200	1	55-710-264-NG	Suspension bracket	V mh170b	-	2177	GGG 40
201	3	55-754-029	Hexagon socket screw	M 8x 25	912		AISI 304
203	1	55-912-054	Shackle	10mm	-		AISI 316
206	3	55-758-083	Washer	(M 8)	125		AISI 304
210	1	55-712-201-GG	Hose connection	3"-90gr.	-	2121	GG 25
210	(1)	55-712-200-gg	Thread connection	G 3"- 90gr.Bu	-	2130	GG 25
211	4	55-753-032	Stud bolt	M10x 30	939		AISI 304
213	4	55-755-029	Nut	M10	934		AISI 304
214	4	55-758-081	Washer	(M10)	125		AISI 304
218	1	55-761-001	Gasket	Ø108xØ 75x2	-		CR
230	1	55-715-119-ST	Support ring	stc 114 en stc 138	-		Fe galv
231	3	55-754-029	Hexagon socket screw	M 8x 25	912		AISI 304

### Supplement installation -H

200	1	55-710-261-ST	Suspension bracket	H-20g/40	-		Fe galv.
201	2	55-754-077	Hexagon socket screw	M 8x 20	912		AISI 304
203	1	55-912-054	Shackle	10mm	-		AISI 316
210	1	55-712-051-GG	Hose connection	3"	-	1296	GG 25
210	(1)	55-712-052-GG	Hose connection	4"-3	-	1114	GG 25
211	4	55-753-166	Hexagon-head bolt	M10x 50	931		AISI 304
213	4	55-755-029	Nut	M10	934		AISI 304
214	4	55-758-081	Washer	(M10)	125		AISI 304
218	1	55-761-001	Gasket	Ø108xØ 75x2	-		CR
220	1	55-712-129-GG	Suction elbow	3"	-	1466	GG 25
221	3	55-754-029	Hexagon socket screw	M 8x 25	912		AISI 304

### Supplement installation -V

200	1	55-710-264-NG	Suspension bracket	V mh170b	-	2177	GGG 40
201	3	55-754-029	Hexagon socket screw	M 8x 25	912		AISI 304
203	1	55-912-054	Shackle	10mm	-		AISI 316
206	3	55-758-083	Washer	(M 8)	125		AISI 304
211	4	55-753-166	Hexagon-head bolt	M10x 50	931		AISI 304
213	4	55-755-029	Nut	M10	934		AISI 304
214	4	55-758-081	Washer	(M10)	125		AISI 304
218	1	55-761-001	Gasket	Ø108xØ 75x2	-		CR

### Cable list YD 220 - 500V 50Hz

35	1	55-709-225	Cable	7G1.5mm2	-		CR / EPR / Cu
36	1	55-709-002-RZ	Cable entry	G 7/8"	-	2209A	AISI 316
37	1	55-709-004-RZ	Clamp	Ø15-17	-	2210	AISI 316
38	1	55-709-029	Cable sleeve	27.5x16x23	-		CR
39	2	55-709-167	Pressing ring	27.5x18x4	-		CuZn 40
45	2	55-754-093	Hexagon socket screw	M 6x 16	912		AISI 304
48	6	55-759-007	Cable connector	(2.5mm2)	-		

### Cable list YD 220 - 500V with 3 aux. leaders 50Hz

35	1	55-709-306	Cable	10x1.5mm2 Ø18.6- Ø19.6	-		Ozoflex
36	1	55-709-002-RZ	Cable entry	G 7/8"	-	2209A	AISI 316
37	1	55-709-005-RZ	Clamp	Ø18-21	-	2211	AISI 316
38	1	55-709-030	Cable sleeve	27.5x19x23	-		CR
39	2	55-709-010	Pressing ring	27.5x19.5x4	-		CuZn 40
45	2	55-754-093	Hexagon socket screw	M 6x 16	912		AISI 304
48	9	55-759-007	Cable connector	(2.5mm2)	-		

### Option: cable entry and protection sleeve (AISI 316)

36	1	55-709-316-RZ	Cable entry	G 7/8"-G1"	-	2101	AISI 316
37	1	55-709-318-RZ	Clamp	Ø18-21	-	2103	AISI 316
40	1	55-709-270	Cable hose	Ø25 l=3 m	-		AISI 316
40	(1)	55-709-314	Cable hose	Ø25 l=5 m	-		AISI 316
40	(1)	55-709-348	Cable hose	Ø25 l=10 m	-		AISI 316

41	1	55-751-145	O-ring	25.07x 2.62	-	FPM
42	1	55-760-145	Gasket	Ø 23xØ 19x2	-	Teflon
43	1	55-709-301	Seal ring	30x22x2	-	PTFE
45	2	55-754-085	Hexagon socket screw	M 6x 16	912	AISI 316
46	(2)	55-758-088	Lock washer	(M 6)	127a	AISI 316

**Option: rotorshaft with AISI 316 shaftend**

4	1	55-703-436-RZ	Rotor	6 kW-4	-	030-3103120D AISI 316/420
---	---	---------------	-------	--------	---	---------------------------

**Optional viton seals**

11	1	55-704-144-VI	Membrane	RW/RD40	-	FPM
13	1	55-706-317	Mechanical seal	Ø30	-	SiC/SiC/FPM
84	1	55-756-127	Seal ring	(M 8)	-	PTFE
85	3	55-756-128	Seal ring	(M10)	-	PTFE
118	1	55-751-221	O-ring	249.3x 5.7	-	FPM
218	1	55-761-060	Gasket	Ø140xØ105x2	-	FPM

**Option: impeller in special material**

140	1	55-708-362-BN	Impeller	252 RW4020/40/BW20	-	2067 GGG 80 HA
140	1	55-708-362-BR	Impeller	252 RW4020/40/BW20	-	2067 G-CuSn 10
140	1	55-708-362-RZ	Impeller	250 RW4020/40/BW20	-	2067R AISI 316

**Option: waterdetector**

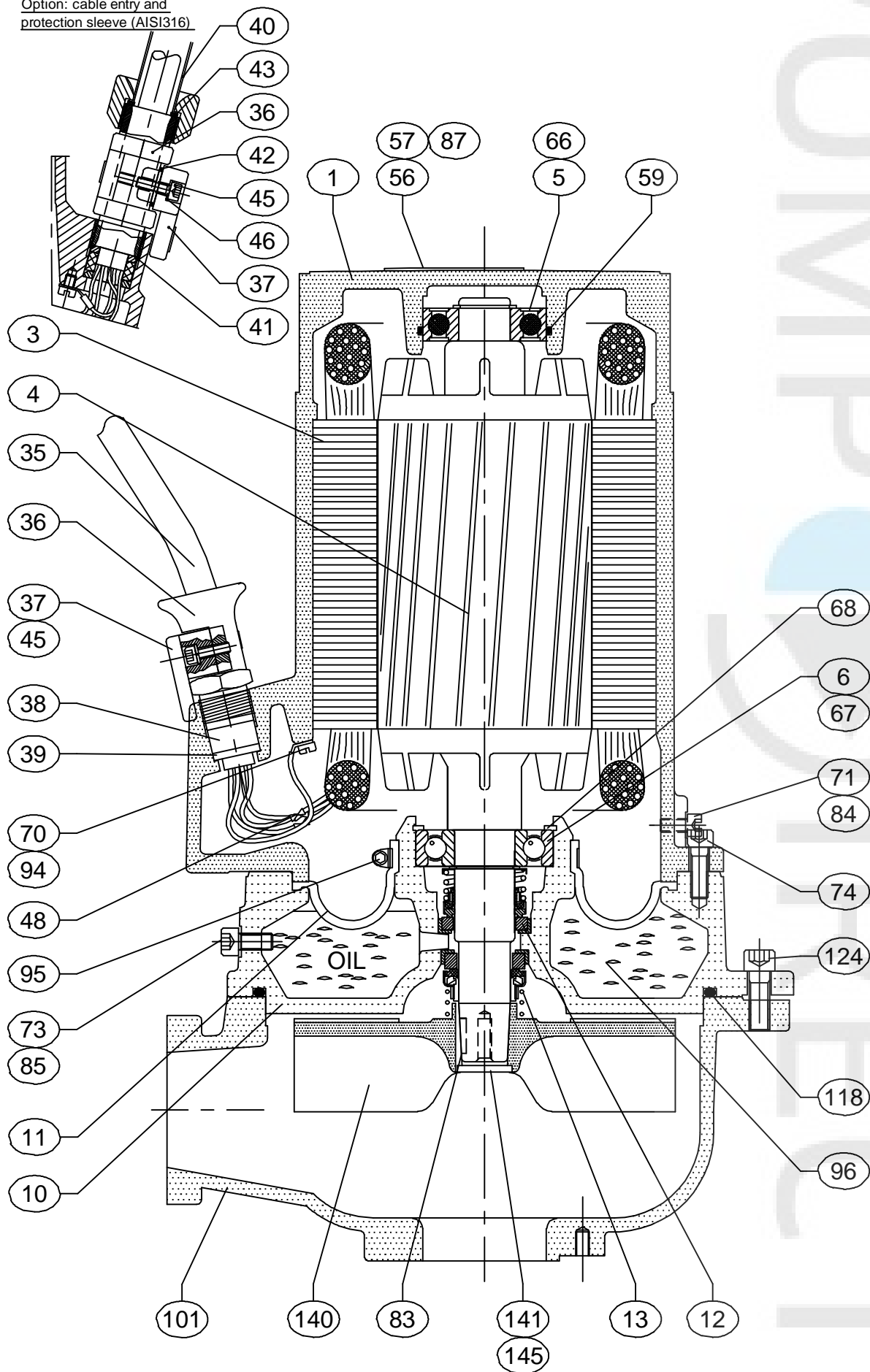
300	1	55-717-064	Water detector		-	
-----	---	------------	----------------	--	---	--

**Option: zincanode**

500	1	55-717-111	Anode	Ø 75	-	Zn
501	3	55-717-115	Distance tube	Ø 20x Ø 10 l=12mm	-	AISI 304
502	(3)	55-754-029	Hexagon socket screw	M 8x 25	912	AISI 304
231	(3)	55-754-030	Hexagon socket screw	M 8x 35	912	AISI 304

# Parts list drawing

Option: cable entry and protection sleeve (AISI316)



# Parts list drawing

