

Pos	Qty	Art.Code	Description		DIN	Model	Material
1	1	55-700-185-GG	Motor housing	mh200 Ex	-	1920	GG 25
3	1	55-702-388-YU	Stator with thermo switches	13 kW-2	-	020-2110180B	
4	1	55-703-440-RM	Rotor	13 kW-2	-	030-3110180B	AISI 431
5	1	55-750-109	Ball bearing	6306 2RS1 /C3 GJN	628		
6	1	55-750-054	Ball bearing	6307-2Z-C3	-		
10	1	55-704-141-GG	Seal housing	RW40- E	-	1910	GG 25
12	1	55-706-314	Mechanical seal	Ø35	-		Carb/ceramic/N
13	1	55-706-318	Mechanical seal	Ø30	-		SiC/SiC/NBR
15	1	55-707-161-GG	Bearing housing	Ø 80	-	1909	GG 25
16	1	55-707-164-GG	Bearing retainer	M 90x2	-	1913	GG 25
20	1	55-709-329-GG	Connection box	2x G7/8"	-	1911	GG 25
21	1	55-709-208-GG	Connection box cover	HW/RW20/30/40	-	1912	GG 25
25	(1)	55-717-060	Line bushing	6x2.5mm2-M42x1.5	-		
25	(1)	55-717-062	Line bushing	6x6mm2-M42x1.5	-		
26	(1)	55-709-292	Line bushing	3x1.5 mm2-M16x1.5	-		
26	(1)	55-756-144	Plug	M16x 1 1/2	910		CuZn 40
54	1	55-709-213	Cover		-		Turboniet
55	1	55-709-279	Bearing cup	72	-		
56	1	55-713-210-RZ	Data plate	Robot Pumps	-		AISI 316
57	1	55-713-212-RZ	Data plate	ATEX 2005	-		AISI 316
59	1	55-751-005	O-ring	71.44x 3.53	-		NBR
60	1	55-751-054	O-ring	78.97x 3.53	-		NBR
61	1	55-751-149	O-ring	221.84x 3.53	-		NBR
62	1	55-751-149	O-ring	221.84x 3.53	-		NBR
63	1	55-751-055	O-ring	171.04x 3.53	-		NBR
64	1	55-751-092	O-ring	114x 4.00	-		NBR
66	1	55-752-003	Circlip	A 30x1.5	471		spring steel
67	1	55-752-004	Circlip	A 35x1.5	471		spring steel
69	1	55-717-056	Grounding clamp	M6	-		AISI 304
70	1	55-717-055	Grounding clamp	M5	-		AISI 304
71	1	55-753-079	Hexagon tap bolt	M 8x 16	933		AISI 304
73	3	55-754-092	Hexagon socket screw	M10x 20	912		AISI 304
74	4	55-754-120	Hexagon socket screw	M10x 45	912		AISI 304
75	2	55-754-027	Hexagon socket screw	M10x 25	912		AISI 304
76	4	55-754-029	Hexagon socket screw	M 8x 25	912		AISI 304
77	3	55-754-029	Hexagon socket screw	M 8x 25	912		AISI 304
83	1	55-756-101	Key	6x 6x20	6885A		AISI 316
84	1	55-756-028	Dubo ring	M 8 type 303	-		PA 6.6
85	3	55-756-027	Dubo ring	M10 type 305	-		PA 6.6
87	8	55-757-076	Data plate rivet	2.9x6.5	-		AISI 316
90	4	55-758-076	Lock washer	(M10)	127a		AISI 304
91	2	55-758-076	Lock washer	(M10)	127a		AISI 304
92	4	55-758-077	Lock washer	(M 8)	127a		AISI 304
93	3	55-758-077	Lock washer	(M 8)	127a		AISI 304
96	1	55-906-069	Oil	Marcol 152	-		
101	1	55-701-148-GG	Pump casing	RW2020/4020/21	-	1907	GG 25
118	(1)	55-751-036	O-ring	229.3x 5.7	-		NBR
118	(1)	55-751-176	O-ring	249.3x 5.7	-		NBR
124	4	55-754-080	Hexagon socket screw	M12x 35	912		AISI 304
140	1	55-708-362-NG	Impeller	252 RW4020/40/BW20	-	2067	GGG 40
141	1	55-713-226-RU	Impeller hubcap	ø30xø9x4	-	713-226	AISI 329
145	1	55-754-117	Hex. sock. screw counter sun	M 8x 18	Spec		AISI 316

Supplement installation -F and -T

200	1	55-710-365-ST	Suspension bracket	T mh170/200-E	-		Fe galv.
201	4	55-754-077	Hexagon socket screw	M 8x 20	912		AISI 304
203	1	55-912-054	Shackle	10mm	-		AISI 316
210	1	55-712-201-GG	Hose connection	3"-90gr.	-	2121	GG 25
211	4	55-753-032	Stud bolt	M10x 30	939		AISI 304
213	4	55-755-029	Nut	M10	934		AISI 304
214	4	55-758-081	Washer	(M10)	125		AISI 304
218	1	55-761-001	Gasket	Ø108xØ 75x2	-		CR
218	(1)	55-761-062	Gasket	Ø108xØ 75x2	-		FPM
230	1	55-715-119-ST	Support ring	stc 114 en stc 138	-		Fe galv
231	3	55-754-029	Hexagon socket screw	M 8x 25	912		AISI 304

Supplement installation -H

200	1	55-710-305-ST	Suspension bracket	H 20g/40	-		Fe 360
201	2	55-754-077	Hexagon socket screw	M 8x 20	912		AISI 304

Pos	Qty	Art.Code	Description		DIN	Model	Material
203	1	55-912-054	Shackle	10mm	-		AISI 316
210	1	55-712-051-GG	Hose connection	3"	-	1296	GG 25
210	(1)	55-712-052-GG	Hose connection	4"-3	-	1114	GG 25
211	4	55-753-166	Hexagon-head bolt	M10x 50	931		AISI 304
213	4	55-755-029	Nut	M10	934		AISI 304
214	4	55-758-081	Washer	(M10)	125		AISI 304
218	1	55-761-001	Gasket	Ø108xØ 75x2	-		CR
220	1	55-712-129-GG	Suction elbow	3"	-	1466	GG 25
221	3	55-754-029	Hexagon socket screw	M 8x 25	912		AISI 304

Supplement installation -V

200	1	55-710-365-ST	Suspension bracket	T mh170/200-E	-		Fe galv.
201	2	55-754-077	Hexagon socket screw	M 8x 20	912		AISI 304
203	1	55-912-054	Shackle	10mm	-		AISI 316
211	4	55-753-166	Hexagon-head bolt	M10x 50	931		AISI 304
213	4	55-755-029	Nut	M10	934		AISI 304
214	4	55-758-081	Washer	(M10)	125		AISI 304
218	1	55-761-001	Gasket	Ø108xØ 75x2	-		CR

Auxiliary cable

35	1	55-709-086	Cable	4x2.5mm ² Ø15.6- Ø16.6	-		Protomont
36	1	55-709-002-RZ	Cable entry	G 7/8"	-	2209A	AISI 316
37	1	55-709-004-RZ	Clamp	Ø15-17	-	2210	AISI 316
38	1	55-709-029	Cable sleeve	27.5x16x23	-		CR
39	2	55-709-167	Pressing ring	27.5x18x4	-		CuZn 40
45	2	55-754-093	Hexagon socket screw	M 6x 16	912		AISI 304
48	3	55-759-007	Cable connector	(2.5mm ²)	-		

Cable list YD 380 - 500V 50Hz

35	1	55-709-074	Cable	7x2.5mm ² Ø18.0-Ø21.0	-		Protomont
36	1	55-709-002-RZ	Cable entry	G 7/8"	-	2209A	AISI 316
37	1	55-709-005-RZ	Clamp	Ø18-21	-	2211	AISI 316
38	1	55-709-030	Cable sleeve	27.5x19x23	-		CR
39	2	55-709-010	Pressing ring	27.5x19.5x4	-		CuZn 40
45	2	55-754-093	Hexagon socket screw	M 6x 16	912		AISI 304
46	2	55-758-079	Lock washer	(M 6)	127a		AISI 304
48	6	55-759-007	Cable connector	(2.5mm ²)	-		

Option: cable entry and protection sleeve (AISI 316)

36	1/2	55-709-316-RZ	Cable entry	G 7/8"-G1"	-	2101	AISI 316
37	(1/2)	55-709-317-RZ	Clamp	Ø15-17	-	2102	AISI 316
37	(1/2)	55-709-318-RZ	Clamp	Ø18-21	-	2103	AISI 316
40	1/2	55-709-270	Cable hose	Ø25 l=3 m	-		AISI 316
40	(1/2)	55-709-314	Cable hose	Ø25 l=5 m	-		AISI 316
40	(1/2)	55-709-348	Cable hose	Ø25 l=10 m	-		AISI 316
41	1/2	55-751-145	O-ring	25.07x 2.62	-		FPM
42	1/2	55-760-145	Gasket	Ø 23xØ 19x2	-		Teflon
43	1/2	55-709-301	Seal ring	30x22x2	-		PTFE
44	1/2	55-709-409	Tube	Ø22x24 l=24	-		PA 66
45	2/4	55-754-085	Hexagon socket screw	M 6x 16	912		AISI 316
46	2/4	55-758-088	Lock washer	(M 6)	127a		AISI 316

Option: rotorshaft with AISI 316 shaftend

4	1	55-703-440-RZ	Rotor	13 kW-2	-	030-3110180B	AISI 316/420
---	---	---------------	-------	---------	---	--------------	--------------

Optional viton seals

13	1	55-706-317	Mechanical seal	Ø30	-		SiC/SiC/FPM
61	1	55-751-181	O-ring	221.84x 3.53	-		FPM
62	1	55-751-181	O-ring	221.84x 3.53	-		FPM
63	1	55-751-204	O-ring	171.04x 3.53	-		FPM

RW4020BZ- E00
312.02
Explosion proof version (Ex)



Partslist P312-BZ-02
 Draw.nr. 312N4
 Date 06-2003

Pos	Qty	Art.Code	Description		DIN	Model	Material
64	1	55-751-165	O-ring	114x 4.00	-		FPM
84	1	55-756-127	Seal ring	(M 8)	-		PTFE
85	3	55-756-128	Seal ring	(M10)	-		PTFE
118	1	55-751-221	O-ring	249.3x 5.7	-		FPM
218	1	55-761-060	Gasket	Ø140xØ105x2	-		FPM

Option: impeller in special material

140	1	55-708-362-RZ	Impeller	250 RW4020/40/BW20	-	2067R	AISI 316
140	1	55-708-362-BR	Impeller	252 RW4020/40/BW20	-	2067	G-CuSn 10
140	1	55-708-362-BN	Impeller	252 RW4020/40/BW20	-	2067	GGG 80 HA

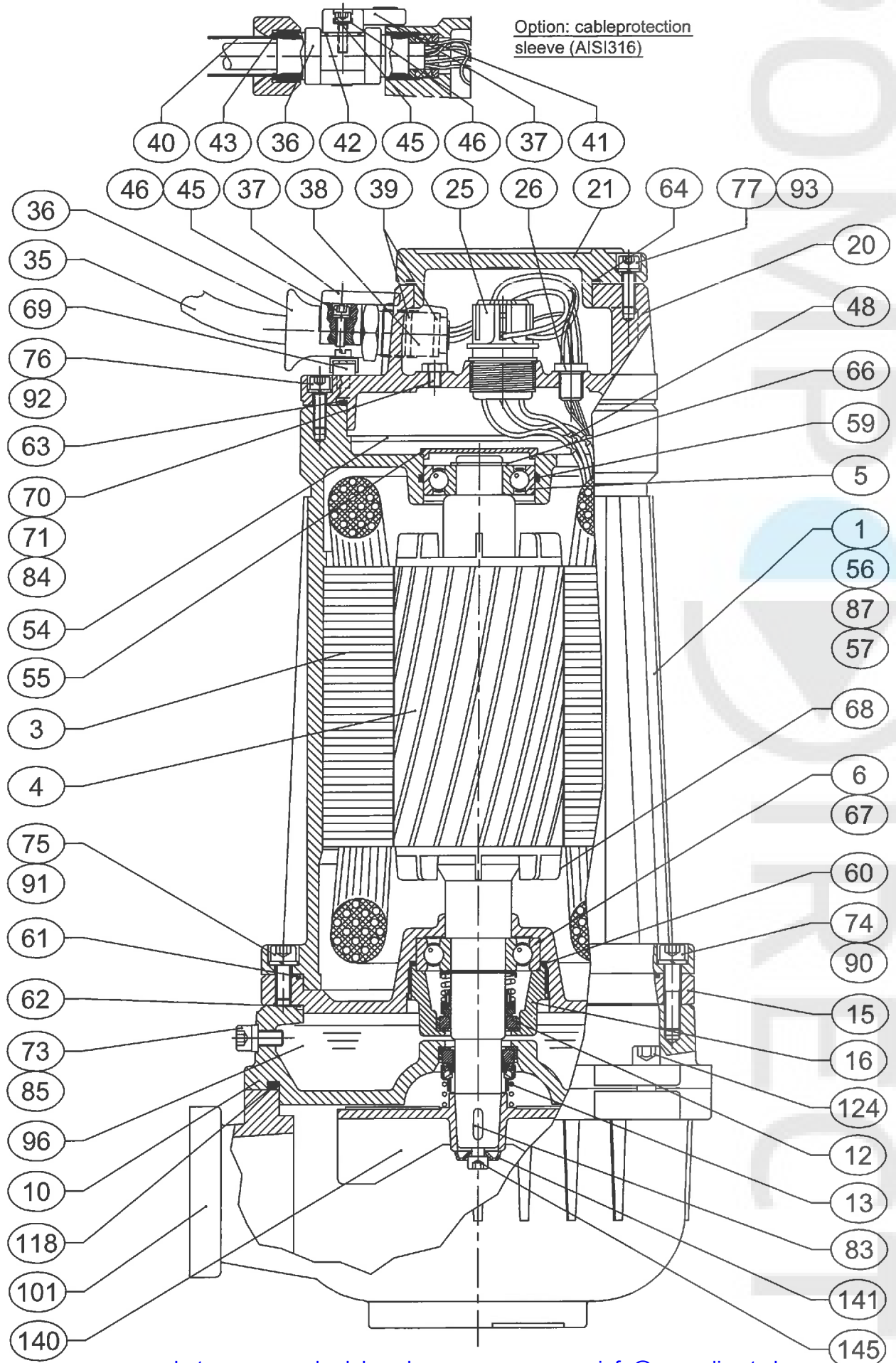
Option: waterdetector for Flameproof pumps

10	1	55-704-141-GG	Seal housing	RW40- E	-	1910	GG 25
300	1	55-709-335	Cable	2x0.75mm ² -Ø9	-		PPOV-af
301	1	55-709-336	Cable entry	HSK-M PG13.5	-		CuZn 40
302	1	55-717-100	Terminal	2 pole, 2.5mm ² , blue	-		

Option: zincanode

500	1	55-717-111	Anode	Ø 75	-		Zn
501	3	55-717-115	Distance tube	Ø 20x Ø 10 l=12mm	-		AISI 304
502	(3)	55-754-029	Hexagon socket screw	M 8x 25	912		AISI 304
231	(3)	55-754-030	Hexagon socket screw	M 8x 35	912		AISI 304

Parts list drawing



Parts list drawing

