

## Robot Pumps RW2140DC 308.00

1	1	55-700-153-GG	Motor housing	mh135	-	1834A	GG 25
3	1	55-702-258-WX	Stator	2.2 kW-4	-	020-2080100D	
3	(1)	55-702-258-WU	Stator with thermo switches	2.2 kW-4	-	020-2080100D	
4	1	55-703-442-RM	Rotor	2.2 kW-4	-	030-3080100D	AISI 431
5	1	55-750-108	Ball bearing	6304 2RSH /C3 GJN	-		
6	1	55-750-005	Ball bearing	6305 2RS C3	-		
10	1	55-704-180-GG	Seal housing	RW2122/30/40	-	1889A	GG 25
11	1	55-704-128-NI	Membrane	RW/RS/RD/RC20/21	-		NBR
12	1	55-706-328	Mechanical seal	Ø25	-		Carbon/AIOx/NBR
13	1	55-706-291	Mechanical seal	Ø20	-		SiC/SiC/NBR
56	1	55-713-210-RZ	Data plate	Robot Pumps	-		AISI 316
59	1	55-751-004	O-ring	52.39x 3.53	-		NBR
61	1	55-751-093	O-ring	152x 3.53	-		NBR
66	1	55-752-002	Circlip	A 20x1.2	471		spring steel
67	1	55-752-007	Circlip	A 25x1.2	471		spring steel
68	1	55-752-034	Circlip	J 62x2	472		spring steel
70	1	55-757-083	Slotted head screw	M 6x 8	84a		CuZn 40
71	1	55-754-157	Hexagon socket screw	M 8x 12	912		AISI 304
73	3	55-754-028	Hexagon socket screw	M 8x 16	912		AISI 304
75	4	55-754-030	Hexagon socket screw	M 8x 35	912		AISI 304
83	1	55-756-130	Key	5x 5x20	6885A		AISI 316
84	1	55-756-028	Dubo ring	M 8 type 303	-		PA 6.6
85	3	55-756-028	Dubo ring	M 8 type 303	-		PA 6.6
87	8	55-757-076	Data plate rivet	2.9x6.5	-		AISI 316
94	1	55-759-002	Cable lug	M 6 (2.5mm2)	-		
95	1	55-906-064	Hose clamp	80-100 mm	-		RVS+Nikkelstaal
96	1	55-906-069	Oil	Marcol 152	-		
101	1	55-701-147-GG	Pump casing	RW2030/40 RW4030/40	-	1487	GG 25
118	1	55-760-101	Gasket	Ø298xØ256x2	-		CR
118	1	55-760-143	Gasket	Ø300xØ255x2	-		FPM
124	4	55-754-080	Hexagon socket screw	M12x 35	912		AISI 304
140	1	55-708-390-NG	Impeller	250 RW2122/40	-	1898	GGG 40
141	1	55-713-226-RU	Impeller hubcap	ø30xø9x4	-	713-226	AISI 329
145	1	55-754-117	Hex. sock. screw counter sunk.	M 8x 18	Spec		AISI 316
218	1	55-761-060	Gasket	Ø140xØ105x2	-		FPM

## Supplement installation -F and -T

203	1	55-912-054	Shackle	10mm	-		AISI 316
210	1	55-712-143-GG	Hose connection	4"-90gr.	-	1788	GG 25
210	(1)	55-712-144-GG	Hose connection	4"-3-90gr.	-	1789	GG 25
210	(1)	55-712-183-GG	Hose connection	4"-90gr. (SL)	-	2091	GG 25
210	(1)	55-712-194-ST	Thread connection	NPT 4"-90gr.Bu	-		Fe 360
211	4	55-753-152	Hexagon-head bolt	M12x 50	931		AISI 304
211	(4)	55-753-158	Stud bolt	M12x 35	939		AISI 316
213	4	55-755-083	Nut	M12	934		AISI 304
214	4	55-758-095	Washer	(M12)	125		AISI 304
218	1	55-761-002	Gasket	Ø140xØ105x2	-		CR
230	1	55-715-118-ST	Support ring	stc 138 en stc 170	-		Fe galv
231	3	55-754-027	Hexagon socket screw	M10x 25	912		AISI 304

### Supplement installation -H

200	1	55-710-261-ST	Suspension bracket	H-20g/40	-		Fe galv.
201	2	55-754-077	Hexagon socket screw	M 8x 20	912		AISI 304
203	1	55-912-054	Shackle	10mm	-		AISI 316
210	1	55-712-053-GG	Hose connection	4"	-	1293	GG 25
210	(1)	55-712-054-GG	Hose connection	6"-4	-	1748	GG 25
210	(1)	55-712-134-GG	Hose connection	3"-4	-	1735	GG 25
211	4	55-753-152	Hexagon-head bolt	M12x 50	931		AISI 304
213	4	55-755-083	Nut	M12	934		AISI 304
218	1	55-761-002	Gasket	Ø140xØ105x2	-		CR
220	1	55-712-131-GG	Suction elbow	4"	-	1467A	GG 25
221	3	55-754-027	Hexagon socket screw	M10x 25	912		AISI 304

### Supplement installation -V

203	1	55-912-054	Shackle	10mm	-		AISI 316
211	4	55-753-152	Hexagon-head bolt	M12x 50	931		AISI 304
213	4	55-755-083	Nut	M12	934		AISI 304
214	4	55-758-095	Washer	(M12)	125		AISI 304
218	1	55-761-002	Gasket	Ø140xØ105x2	-		CR
218	(1)	55-761-057	Gasket	Ø150xØ 97x2	-		CR

### Cable list DOL 220 - 500V 50Hz

35	1	55-709-146	Cable	4x1.5mm <sup>2</sup> Ø11.1- Ø12.5	-		Subcab
36	1	55-709-016-RZ	Cable entry	G 7/8"	-	2221	AISI 316
38	1	55-709-153	Cable sleeve	27.5x12x23x120	-		CR
39	1	55-709-010	Pressing ring	27.5x19.5x4	-		CuZn 40
39	1	55-709-125	Pressing ring	27.5x15x4	-		CuZn 40
48	3	55-759-007	Cable connector	(2.5mm <sup>2</sup> )	-		

### Cable list DOL 220 - 500V with 3 aux. leaders or YD 220 - 500V 50Hz

35	1	55-709-225	Cable	7G1.5mm <sup>2</sup>	-		CR / EPR / Cu
36	1	55-709-016-RZ	Cable entry	G 7/8"	-	2221	AISI 316
38	1	55-709-029	Cable sleeve	27.5x16x23	-		CR
39	2	55-709-167	Pressing ring	27.5x18x4	-		CuZn 40
48	6	55-759-007	Cable connector	(2.5mm <sup>2</sup> )	-		

### Cable list YD 220 - 500V with 3 aux. leaders 50Hz

35	1	55-709-306	Cable	10x1.5mm <sup>2</sup> Ø18.6- Ø19.6	-		Ozoflex
36	1	55-709-016-RZ	Cable entry	G 7/8"	-	2221	AISI 316
38	1	55-709-030	Cable sleeve	27.5x19x23	-		CR
39	2	55-709-010	Pressing ring	27.5x19.5x4	-		CuZn 40
48	6	55-759-007	Cable connector	(2.5mm <sup>2</sup> )	-		

**Option: cable entry and protection sleeve (AISI 316)**

36	1	55-709-316-RZ	Cable entry	G 7/8"-G1"	-	2101	AISI 316
37	1	55-709-318-RZ	Clamp	Ø18-21	-	2103	AISI 316
40	1	55-709-270	Cable hose	Ø25 l=3 m	-		AISI 316
40	(1)	55-709-314	Cable hose	Ø25 l=5 m	-		AISI 316
40	(1)	55-709-348	Cable hose	Ø25 l=10 m	-		AISI 316
41	1	55-751-145	O-ring	25.07x 2.62	-		FPM
42	1	55-760-145	Gasket	Ø 23xØ 19x2	-		Teflon
43	1	55-709-301	Seal ring	30x22x2	-		PTFE
45	2	55-754-085	Hexagon socket screw	M 6x 16	912		AISI 316
46	(2)	55-758-088	Lock washer	(M 6)	127a		AISI 316

**Option Sparepart kit**

600	1	55-500-1001		RC/RD/RS/RW20/21/22 Basis	-		
-----	---	-------------	--	---------------------------	---	--	--

**Option: rotorshaft with AISI 316 shaftend**

4	1	55-703-442-RZ	Rotor	2.2 kW-4	-	030-3080100D	AISI 316/C45
---	---	---------------	-------	----------	---	--------------	--------------

**Optional viton seals**

13	1	55-706-330	Mechanical seal	Ø20	-		Silcarb/Silcarb/FPM
61	1	55-751-163	O-ring	152x 3.53	-		FPM

**Option: impeller in special material**

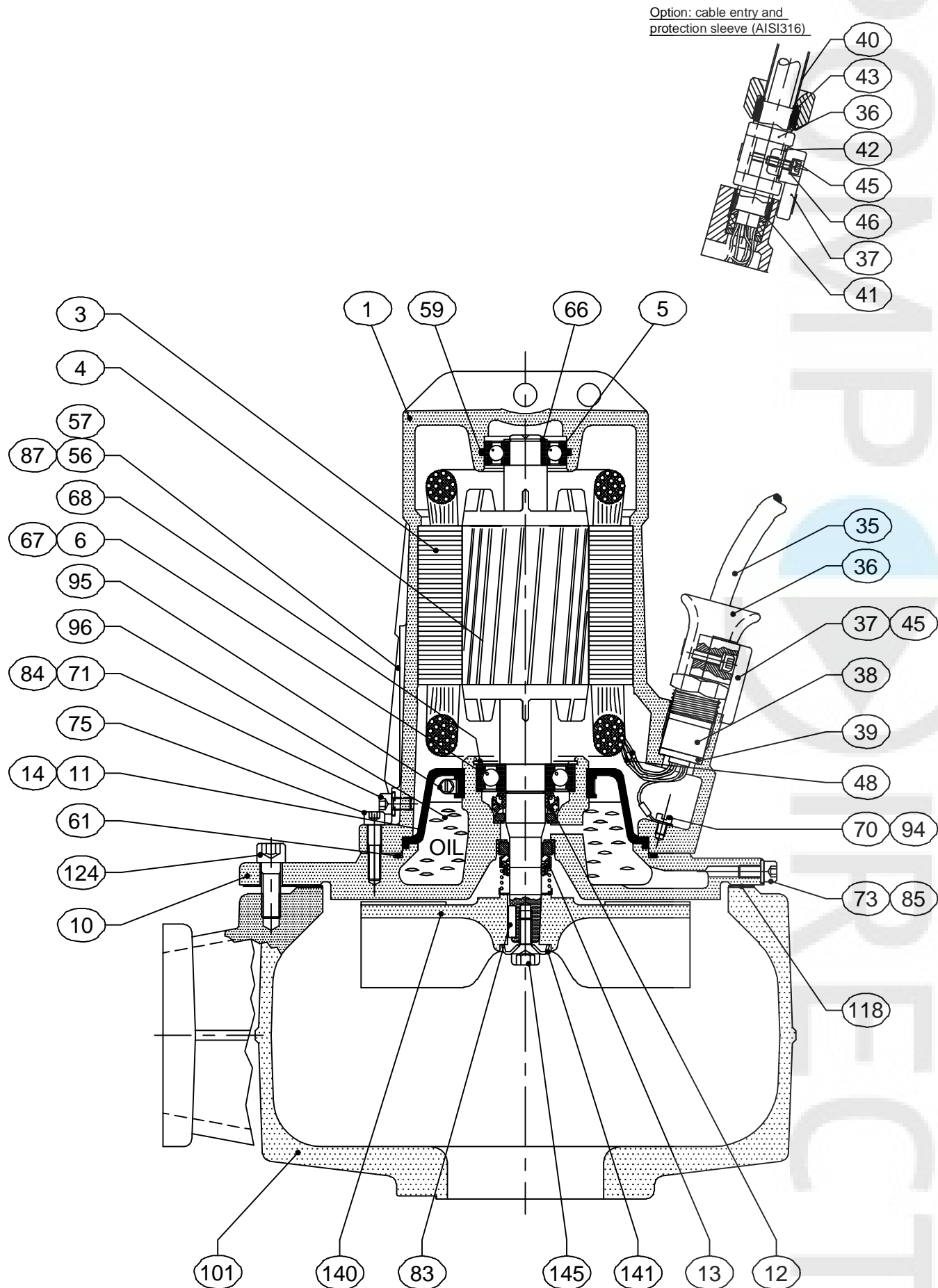
140	1	55-708-390-RU	Impeller	250 RW2122/40	-	2067R	AISI 329
140	1	55-708-390-RZ	Impeller	250 RW2122/40	-	2067R	AISI 316

**Option: zincanode**

500	1	55-717-071	Anode	Ø 100	-		Zn
501	3	55-717-115	Distance tube	Ø 20x Ø 10 l=12mm	-		AISI 304
502	(3)	55-754-027	Hexagon socket screw	M10x 25	912		AISI 304
231	(3)	55-754-116	Hexagon socket screw	M10x 35	912		AISI 304

# Parts list drawing

Option: cable entry and protection sleeve (AISI316)



# Parts list drawing

