

Robot Pumps RW2120BE 463.01

1	1	55-700-179-GG	Motor housing	mh135 Ex	-	1368A	GG 25
3	1	55-702-259-WU	Stator with thermo switches	2.6 kW-2	-	020-2070100B	
4	1	55-703-432-RM	Rotor	2.6 kW-2	-	030-3070100B	AISI 431
5	1	55-750-108	Ball bearing	6304 2RSH /C3 GJN	-		
6	1	55-750-005	Ball bearing	6305 2RS C3	-		
10	1	55-704-181-GG	Seal housing	RW21- E	-	1902	GG 25
12	1	55-706-328	Mechanical seal	Ø25	-		Carbon/AlOx/NBR
13	1	55-706-291	Mechanical seal	Ø20	-		SiC/SiC/NBR
15	1	55-707-160-GG	Bearing housing	Ø 90, R21-E, R21-P	-	1370	GG 25
20	1	55-709-327-GG	Connection box	1x G7/8" (FM+ATEX)	-	1903	GG 25
21	1	55-709-328-GG	Connection box cover	(FM+ATEX)	-	1904	GG 25
25	1	55-717-060	Line bushing	6x2.5mm2-M42x1.5	-		
55	1	55-709-278	Bearing cup	52	-		Nylon
56	1	55-713-210-RZ	Data plate	Robot Pumps	-		AISI 316
59	1	55-751-004	O-ring	52.39x 3.53	-		NBR
60	1	55-751-025	O-ring	61.91x 3.53	-		NBR
61	1	55-751-091	O-ring	146x 4.00	-		NBR
62	1	55-751-093	O-ring	152x 3.53	-		NBR
63	1	55-751-092	O-ring	114x 4.00	-		NBR
64	1	55-751-092	O-ring	114x 4.00	-		NBR
66	1	55-752-002	Circlip	A 20x1.2	471		spring steel
67	1	55-752-007	Circlip	A 25x1.2	471		spring steel
69	1	55-717-056	Grounding clamp	M6	-		AISI 304
70	1	55-717-055	Grounding clamp	M5	-		AISI 304
71	1	55-753-079	Hexagon tap bolt	M 8x 16	933		AISI 304
73	2	55-754-028	Hexagon socket screw	M 8x 16	912		AISI 304
75	4	55-754-119	Hexagon socket screw	M 8x 50	912		AISI 304
76	4	55-754-138	Hexagon socket screw	M 8x 70	912		AISI 304
83	1	55-756-130	Key	5x 5x20	6885A		AISI 316
84	1	55-756-028	Dubo ring	M 8 type 303	-		PA 6.6
85	2	55-756-028	Dubo ring	M 8 type 303	-		PA 6.6
87	8	55-757-076	Data plate rivet	2.9x6.5	-		AISI 316
90	(4)	55-758-077	Lock washer	(M 8)	127a		AISI 304
92	(4)	55-758-077	Lock washer	(M 8)	127a		AISI 304
96	1	55-906-069	Oil	Marcol 152	-		
101	1	55-701-144-GG	Pump casing	RW20-V/RW2120	-	1901	GG 25
118	1	55-760-122	Gasket	Ø190xØ171x2	-		CR
124	4	55-754-146	Hexagon socket screw	M 8x 60	912		AISI 304
140	1	55-708-386-NG	Impeller	138 RW2110/20	-	2133	GGG 40
140	(1)	55-708-385-NG	Impeller	125 RW2110/20	-	2132	GGG 40
141	1	55-713-226-RU	Impeller hubcap	ø30xø9x4	-	713-226	AISI 329
145	1	55-754-117	Hex. sock. screw counter sunk.	M 8x 18	Spec		AISI 316

Supplement installation -F

203	1	55-912-054	Shackle	10mm	-		AISI 316
210	1	55-712-201-GG	Hose connection	3"-90gr.	-	2121	GG 25
210	(1)	55-712-200-gg	Thread connection	G 3"- 90gr.Bu	-	2130	GG 25
211	4	55-753-034	Stud bolt	M10x 25	939		AISI 304
213	4	55-755-029	Nut	M10	934		AISI 304
214	4	55-758-081	Washer	(M10)	125		AISI 304
218	1	55-761-001	Gasket	Ø108xØ 75x2	-		CR
230	1	55-711-154-NG	Support ring	RW2110/20	-	2128	GN 50
231	3	55-754-077	Hexagon socket screw	M 8x 20	912		AISI 304
232	3	55-758-087	Washer	(M 8) Ø20xØ9x3	-		AISI 303

Supplement installation -H

203	1	55-912-054	Shackle	10mm	-		AISI 316
210	1	55-712-201-GG	Hose connection	3"-90gr.	-	2121	GG 25
211	4	55-753-034	Stud bolt	M10x 25	939		AISI 304
213	4	55-755-029	Nut	M10	934		AISI 304
214	4	55-758-081	Washer	(M10)	125		AISI 304
218	1	55-761-001	Gasket	Ø108xØ 75x2	-		CR

Supplement installation -T

203	1	55-912-054	Shackle	10mm	-		AISI 316
210	1	55-712-201-GG	Hose connection	3"-90gr.	-	2121	GG 25
211	4	55-753-034	Stud bolt	M10x 25	939		AISI 304
213	4	55-755-029	Nut	M10	934		AISI 304
214	4	55-758-081	Washer	(M10)	125		AISI 304
218	1	55-761-001	Gasket	Ø108xØ 75x2	-		CR
230	1	55-711-154-NG	Support ring	RW2110/20	-	2128	GN 50
231	3	55-754-077	Hexagon socket screw	M 8x 20	912		AISI 304
232	3	55-758-087	Washer	(M 8) Ø20xØ9x3	-		AISI 303

Supplement installation -V

203	1	55-912-054	Shackle	10mm	-		AISI 316
211	4	55-753-166	Hexagon-head bolt	M10x 50	931		AISI 304
213	4	55-755-029	Nut	M10	934		AISI 304
214	4	55-758-081	Washer	(M10)	125		AISI 304
218	1	55-761-001	Gasket	Ø108xØ 75x2	-		CR

Cable list DOL 220 - 500V 50Hz

35	1	55-709-074	Cable	7x2.5mm2 Ø18.0-Ø21.0	-		Protomont
36	1	55-709-002-RZ	Cable entry	G 7/8"	-	2209A	AISI 316
37	1	55-709-005-RZ	Clamp	Ø18-21	-	2211	AISI 316
38	1	55-709-030	Cable sleeve	27.5x19x23	-		CR
39	2	55-709-010	Pressing ring	27.5x19.5x4	-		CuZn 40
45	2	55-754-093	Hexagon socket screw	M 6x 16	912		AISI 304
46	2	55-758-079	Lock washer	(M 6)	127a		AISI 304
48	6	55-759-007	Cable connector	(2.5mm2)	-		

Option: cable entry and protection sleeve (AISI 316)

36	1	55-709-316-RZ	Cable entry	G 7/8"-G1"	-	2101	AISI 316
37	1	55-709-318-RZ	Clamp	Ø18-21	-	2103	AISI 316
40	1	55-709-270	Cable hose	Ø25 l=3 m	-		AISI 316
40	(1)	55-709-314	Cable hose	Ø25 l=5 m	-		AISI 316
40	(1)	55-709-348	Cable hose	Ø25 l=10 m	-		AISI 316
41	1	55-751-145	O-ring	25.07x 2.62	-		FPM
42	1	55-760-145	Gasket	Ø 23xØ 19x2	-		Teflon
43	1	55-709-301	Seal ring	30x22x2	-		PTFE
45	2	55-754-085	Hexagon socket screw	M 6x 16	912		AISI 316
46	(2)	55-758-088	Lock washer	(M 6)	127a		AISI 316

Option Sparepart kit

600	1	55-500-4001		RW2110/12/20-E/P	-		
-----	---	-------------	--	------------------	---	--	--

Option: rotorshaft with AISI 316 shaftend

4	1	55-703-432-RZ	Rotor	2.6 kW-2	-	030-3070100B	AISI 316/420
---	---	---------------	-------	----------	---	--------------	--------------

Optional viton seals

13	1	55-706-330	Mechanical seal	Ø20	-		Silcarb/Silcarb/FPM
60	1	55-751-166	O-ring	61.91x 3.53	-		FPM
61	1	55-751-164	O-ring	146x 4.00	-		FPM
62	1	55-751-163	O-ring	152x 3.53	-		FPM
63	1	55-751-165	O-ring	114x 4.00	-		FPM
64	1	55-751-165	O-ring	114x 4.00	-		FPM
84	1	55-756-127	Seal ring	(M 8)	-		PTFE
85	3	55-756-127	Seal ring	(M 8)	-		PTFE
118	1	55-760-133	Gasket	Ø190xØ171x2	-		FPM
218	1	55-761-062	Gasket	Ø108xØ 75x2	-		FPM

Option: impeller in special material

140	1	55-708-397-RZ	Impeller	160 RW2110/20	-	2219	AISI 316
140	1	55-708-386-RZ	Impeller	138 RW2110/20	-	2183	AISI 316
140	1	55-708-385-RZ	Impeller	125 RW2110/20	-	2183	AISI 316
140	1	55-708-386-RU	Impeller	138 RW2110/20	-	2183	AISI 329
140	1	55-708-385-RU	Impeller	125 RW2110/20	-	2183	AISI 329
140	1	55-708-437-NH	Impeller	138 RW2110/20	-	2139A	Nihard 4
140	1	55-708-454-NH	Impeller	125 RW2110/20	-	2139A	Nihard 4

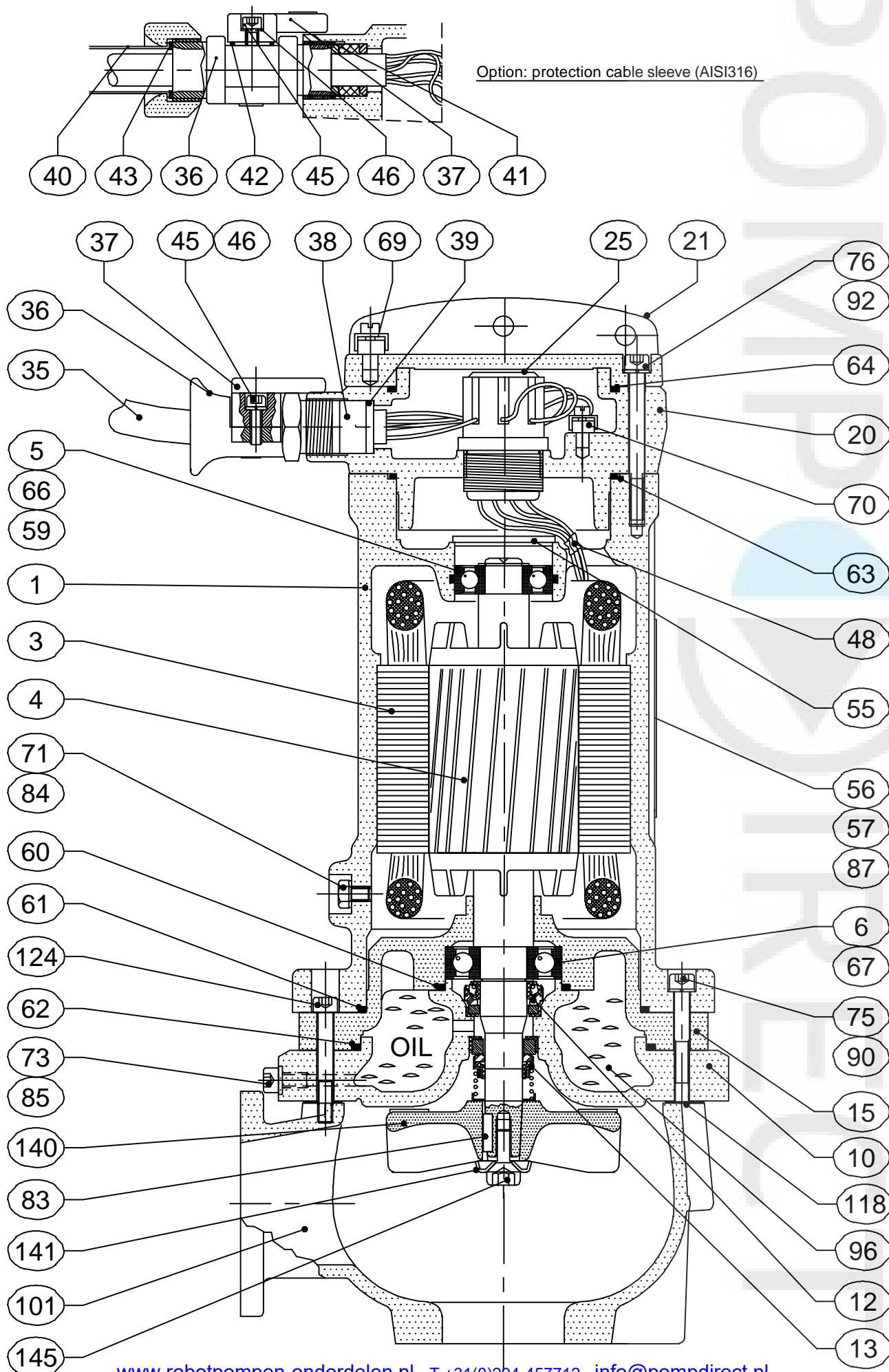
Option: waterdetector for Flameproof pumps

10	1	55-704-181-GG-X	Seal housing	RW21- E	-	1902	GG 25
300	1	55-709-335	Cable	2x0.75mm2-Ø9	-		PPOV-af
301	1	55-709-336	Cable entry	HSK-M PG13.5	-		CuZn 40
302	1	55-717-100	Terminal	2 pole, 2.5mm2, blue	-		

Option: zincanode

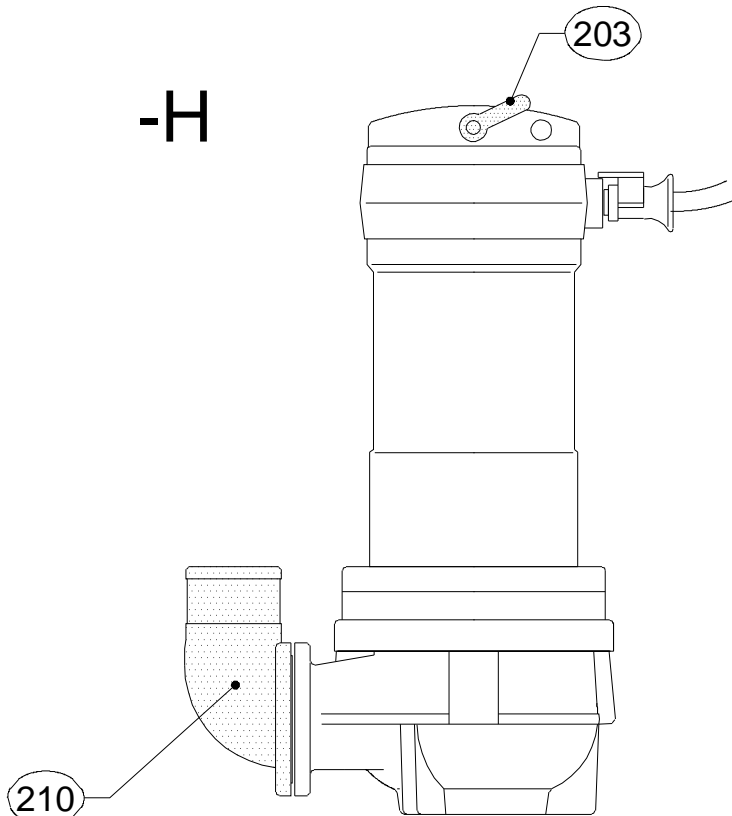
500	1	55-717-110	Anode	Ø 65	-		Zn
501	3	55-717-115	Distance tube	Ø 20x Ø 10 l=12mm	-		AISI 304
502	(3)	55-754-029	Hexagon socket screw	M 8x 25	912		AISI 304
231	(3)	55-754-030	Hexagon socket screw	M 8x 35	912		AISI 304

Parts list drawing



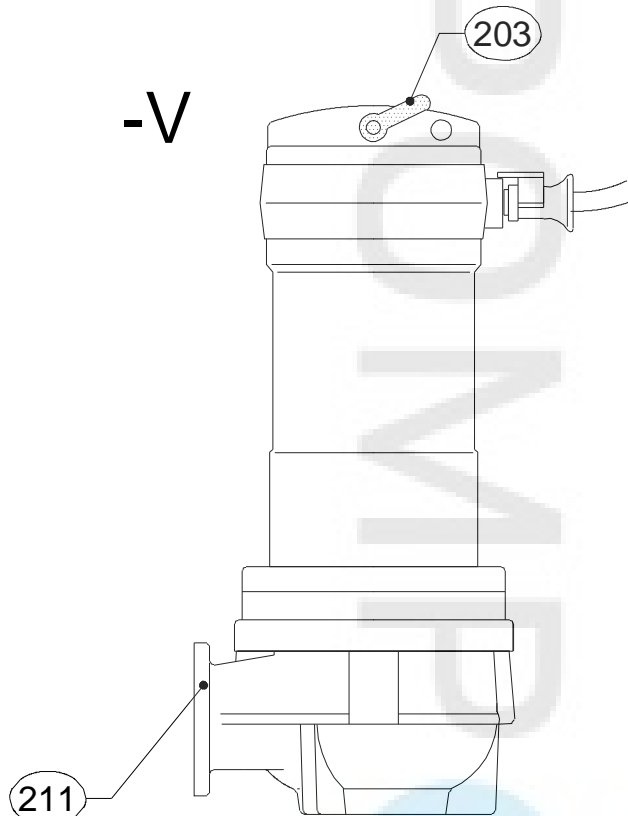
Parts list drawing

-H



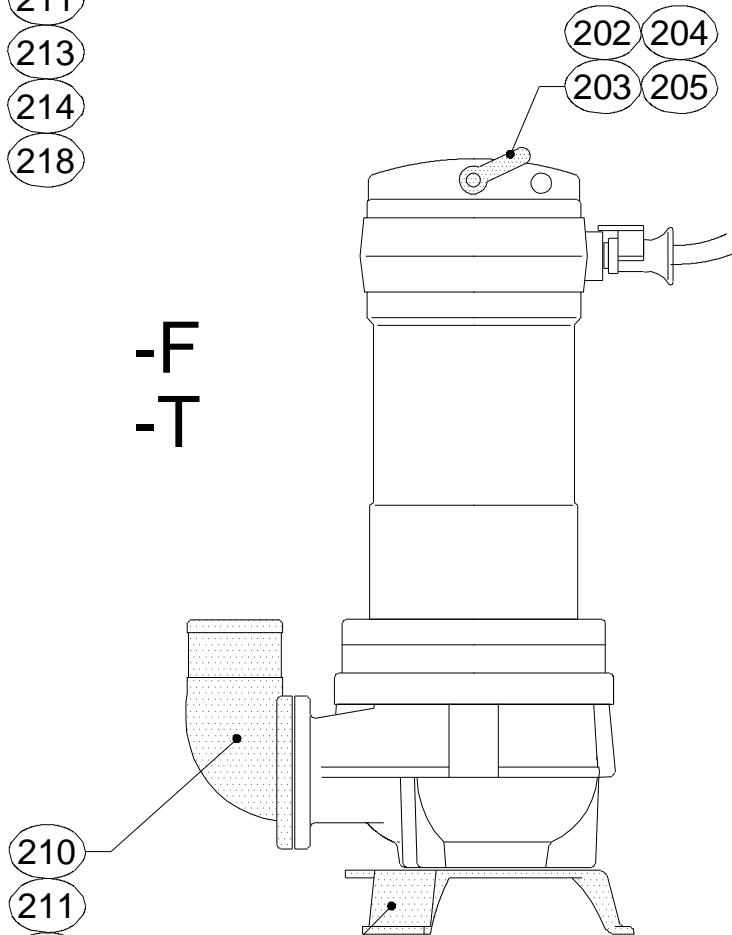
- 210
- 211
- 213
- 214
- 218

-V



- 211
- 213
- 214
- 218

-F
-T



- 210
- 211
- 213
- 218
- 218

- 230
- 231
- 232

