

Pos	Qty	Art.Code	Description		DIN	Model	Material
1	1	55-700-219-RZ	Motor housing	mh135	-	2196	AISI 316
3	1	55-702-259-WX	Stator	2.6 kW-2	-	020-2070100B	
3	(1)	55-702-259-WU	Stator with thermo switches	2.6 kW-2	-	020-2070100B	
4	1	55-703-432-RZ	Rotor	2.6 kW-2	-	030-3070100B	AISI 316/420
5	1	55-750-108	Ball bearing	6304 2RSH /C3 GJN	-		
6	1	55-750-005	Ball bearing	6305 2RS C3	-		
10	1	55-704-215-RZ	Seal housing	RW21- R	-	2200	AISI 316
12	1	55-706-328	Mechanical seal	Ø25	-		Carbon/AlOx/N
13	1	55-706-330	Mechanical seal	Ø20	-		Silcarb/Silcarb/
15	1	55-707-220-RZ	Bearing housing	RW21- R	-	2199	AISI 316
56	1	55-713-210-RZ	Data plate	Robot Pumps	-		AISI 316
59	1	55-751-004	O-ring	52.39x 3.53	-		NBR
60	1	55-751-219	O-ring	109.5x 3.00	-		FPM
61	1	55-751-163	O-ring	152x 3.53	-		FPM
66	1	55-752-002	Circlip	A 20x1.2	471		spring steel
67	1	55-752-007	Circlip	A 25x1.2	471		spring steel
68	1	55-752-034	Circlip	J 62x2	472		spring steel
69	1	55-752-007	Circlip	A 25x1.2	471		spring steel
70	1	55-757-083	Slotted head screw	M 6x 8	84a		CuZn 40
71	1	55-754-197	Hexagon socket screw	M 8x 12	912		AISI 316
73	2	55-754-100	Hexagon socket screw	M 8x 16	912		AISI 316
74	4	55-754-085	Hexagon socket screw	M 6x 16	912		AISI 316
75	4	55-754-155	Hexagon socket screw	M 8x 25	912		AISI 316
83	1	55-756-130	Key	5x 5x20	6885A		AISI 316
84	1	55-756-127	Seal ring	(M 8)	-		PTFE
85	2	55-756-127	Seal ring	(M 8)	-		PTFE
87	8	55-757-076	Data plate rivet	2.9x6.5	-		AISI 316
94	1	55-759-002	Cable lug	M 6 (2.5mm2)	-		
96	1	55-906-069	Oil	Marcol 152	-		
101	1	55-701-210-RZ	Pump casing	RW2110-R	-	2189	AISI 316
118	1	55-760-133	Gasket	Ø190xØ171x2	-		FPM
124	4	55-754-155	Hexagon socket screw	M 8x 25	912		AISI 316
140	(1)	55-708-386-RZ	Impeller	138 RW2110/20	-	2183	AISI 316
140	(1)	55-708-385-RZ	Impeller	125 RW2110/20	-	2183	AISI 316
141	1	55-713-226-RU	Impeller hubcap	ø30xø9x4	-	713-226	AISI 329
145	1	55-754-117	Hex. sock. screw counter sun	M 8x 18	Spec		AISI 316

Supplement installation -F

203	1	55-912-054	Shackle	10mm	-		AISI 316
210	1	55-712-199-RZ	Hose connection	3"-90gr.	-	2296	AISI 316
210	(1)	55-712-159-RZ	Hose connection	2"-90gr.	-	2295	AISI 316
210	(1)	55-712-205-RU	Thread connection	G 2"- 90gr.Bi	-	2299	AISI 329
210	(1)	55-712-196-RZ	Thread connection	NPT 2"-90gr.Bu	-		AISI 316
211	2	55-754-185	Hexagon socket screw	M16x 40	912		AISI 316
213	2	55-755-093	Nut	M16	934		AISI 316
218	1	55-761-070	Gasket	Ø150xØ 80xØ 50x2	-		FPM
230	1	55-711-166-RZ	Support ring	RW-R	-		AISI 316
231	3	55-754-165	Hexagon socket screw	M 8x 20	912		AISI 316
232	3	55-758-098	Washer	(M 8) Ø20xØ8.4x3	-		AISI 316

Supplement installation -H

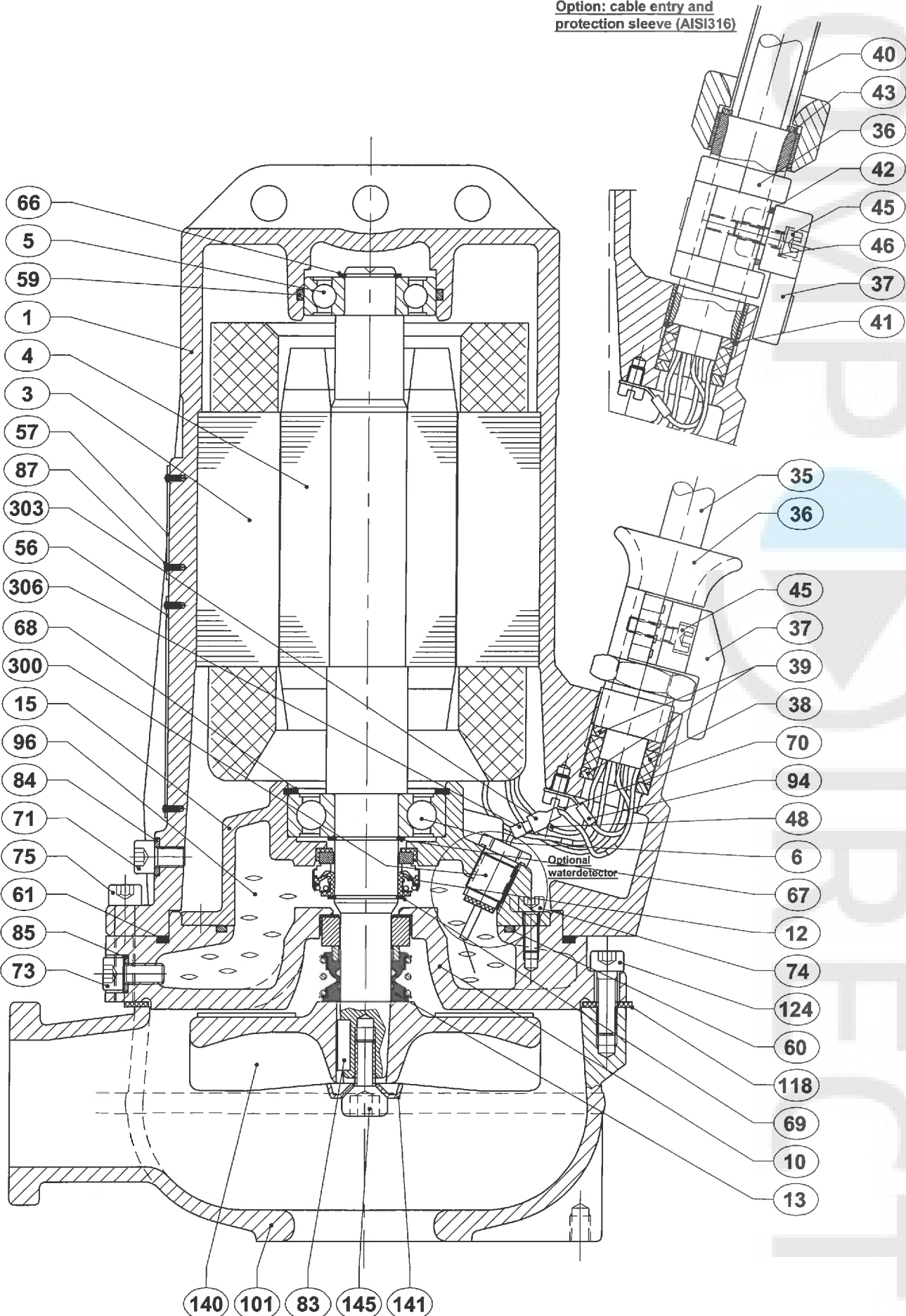
203	1	55-912-054	Shackle	10mm	-		AISI 316
210	1	55-712-199-RZ	Hose connection	3"-90gr.	-	2296	AISI 316
211	2	55-754-185	Hexagon socket screw	M16x 40	912		AISI 316
213	2	55-755-093	Nut	M16	934		AISI 316
218	1	55-761-070	Gasket	Ø150xØ 80xØ 50x2	-		FPM

Supplement installation -T

203	1	55-912-054	Shackle	10mm	-		AISI 316
210	1	55-712-199-RZ	Hose connection	3"-90gr.	-	2296	AISI 316
211	2	55-754-185	Hexagon socket screw	M16x 40	912		AISI 316
213	2	55-755-093	Nut	M16	934		AISI 316
214	2	55-758-105	Washer	(M16)	125		AISI 316
218	1	55-761-070	Gasket	Ø150xØ 80xØ 50x2	-		FPM
230	1	55-711-166-RZ	Support ring	RW-R	-		AISI 316
231	3	55-754-165	Hexagon socket screw	M 8x 20	912		AISI 316
232	3	55-758-098	Washer	(M 8) Ø20xØ8.4x3	-		AISI 316

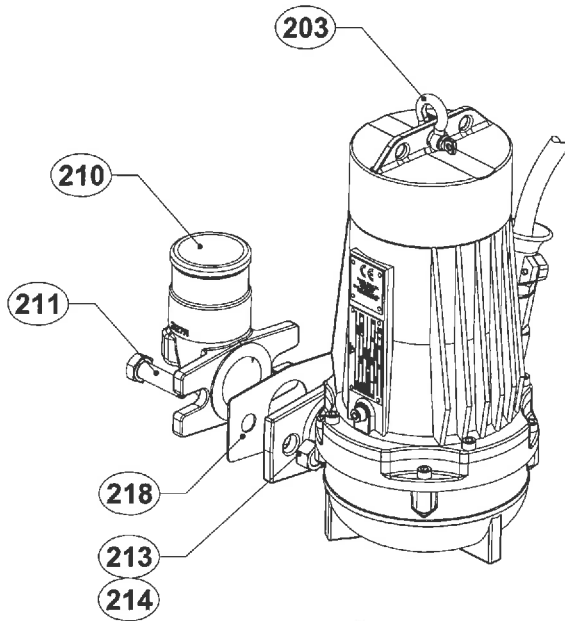
Pos	Qty	Art.Code	Description		DIN	Model	Material
Supplement installation -V							
203	1	55-912-054	Shackle	10mm	-		AISI 316
211	2	55-753-257	Stud bolt	M16x 35	939		AISI 316
213	2	55-755-093	Nut	M16	934		AISI 316
214	2	55-758-105	Washer	(M16)	125		AISI 316
218	1	55-761-070	Gasket	Ø150xØ 80xØ 50x2	-		FPM
Cable list DOL 220 - 500V 50Hz							
35	1	55-709-086	Cable	4x2.5mm ² Ø15.6- Ø16.6	-		Protomont
36	1	55-709-002-RZ	Cable entry	G 7/8"	-	2209A	AISI 316
37	1	55-709-004-RZ	Clamp	Ø15-17	-	2210	AISI 316
38	1	55-709-029	Cable sleeve	27.5x16x23	-		CR
39	2	55-709-343	Pressing ring	27.5x17.5x4	-		AISI 316
45	2	55-754-085	Hexagon socket screw	M 6x 16	912		AISI 316
48	3	55-759-007	Cable connector	(2.5mm ²)	-		
Cable list DOL 220 - 500V with 3 aux. leaders or YD 220 - 500V 5							
35	1	55-709-074	Cable	7x2.5mm ² Ø18.0-Ø21.0	-		Protomont
36	1	55-709-002-RZ	Cable entry	G 7/8"	-	2209A	AISI 316
37	1	55-709-005-RZ	Clamp	Ø18-21	-	2211	AISI 316
38	1	55-709-030	Cable sleeve	27.5x19x23	-		CR
39	2	55-709-235	Pressing ring	27.5x19.5x4	-		AISI 316
45	2	55-754-085	Hexagon socket screw	M 6x 16	912		AISI 316
48	6	55-759-007	Cable connector	(2.5mm ²)	-		
Cable list YD 380 - 500V with 3 aux. leaders 50Hz							
35	1	55-709-340	Cable	10x1.5mm ² -Ø18.5- Ø21.0	-		Protomont
36	1	55-709-002-RZ	Cable entry	G 7/8"	-	2209A	AISI 316
37	1	55-709-005-RZ	Clamp	Ø18-21	-	2211	AISI 316
38	1	55-709-030	Cable sleeve	27.5x19x23	-		CR
39	2	55-709-268	Pressing ring	27.5x22x4	-		AISI 316
45	2	55-754-085	Hexagon socket screw	M 6x 16	912		AISI 316
48	9	55-759-007	Cable connector	(2.5mm ²)	-		
Option: cable entry and protection sleeve (AISI 316)							
36	1	55-709-316-RZ	Cable entry	G 7/8"-G1"	-	2101	AISI 316
37	1	55-709-318-RZ	Clamp	Ø18-21	-	2103	AISI 316
40	1	55-709-270	Cable hose	Ø25 l=3 m	-		AISI 316
40	(1)	55-709-314	Cable hose	Ø25 l=5 m	-		AISI 316
40	(1)	55-709-348	Cable hose	Ø25 l=10 m	-		AISI 316
41	1	55-751-145	O-ring	25.07x 2.62	-		FPM
42	1	55-760-145	Gasket	Ø 23xØ 19x2	-		Teflon
43	1	55-709-301	Seal ring	30x22x2	-		PTFE
45	2	55-754-085	Hexagon socket screw	M 6x 16	912		AISI 316
46	(2)	55-758-088	Lock washer	(M 6)	127a		AISI 316
Option Sparepart kit							
600	1	55-500-3001		RC/RS/RW20/21/22-R+RE	-		
Option: waterdetector							
15	1	55-707-220-RZ-	Bearing housing	RW21- R	-	2199	AISI 316
300	1	55-717-122	Water detector	M16x1.5	-		
303	1	55-759-083	Wire clamp	(2.5mm ²)	-		
306	1	55-759-105	Contact lip	(2.5mm ²)	-		

Option: cable entry and protection sleeve (AISI316)

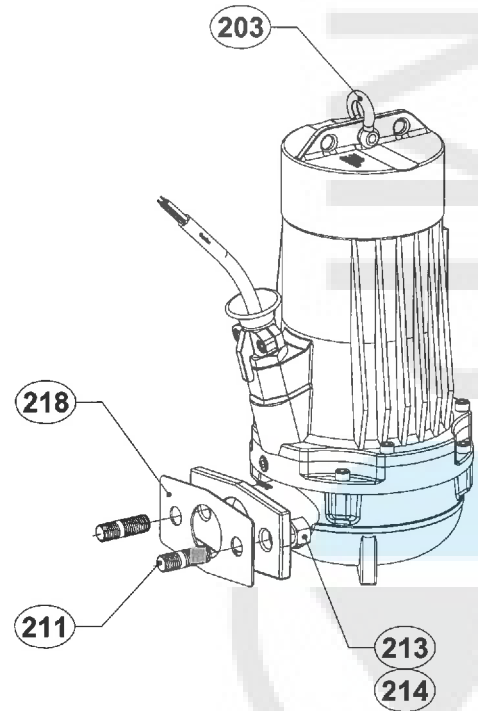


Parts list drawing

Installation -H



Installation -V



Installation -F/-T

