

Explosion proof version (Ex)

Pos	Qty	Part nr	Robot nr	Description		Pattern	Material
1	1		R700-181-GG	Motor housing	mh170 Ex		
3	1	9T011F repl	R702-340-YU	Stator with thermo switches	6 kW-4 + 5 kW-4 400/690V- WR-50Hz		
4	1	9T511M	R703-436-RM	Rotor	6kW-4 + 5kW-4 con30		AISI 431
5	1	9L0384	R750-108	Ball bearing	6304 2RSH /C3 GJN		
6	1	9L0437	R750-054	Ball bearing	6307-2Z-C3		
10	1	76007G	R704-141-GG	Seal housing	DWP/DNP42	P526G	EN-GJL-250
12	1	9D2266	R706-314	Mechanical seal	Ø35 NBR/ceramic/SiC/1.457		Carb/ceramic/NB
13	1	9D2267	R706-318	Mechanical seal	Ø30 NBR / SiC / 1.4571		SiC/SiC/NBR
15	1		R707-161-GG	Bearing housing	Ø 80		
16	1		R707-164-GG	Bearing retainer	M 90x2		
20	1		R709-329-GG	Connection box	2x G7/8" M42x1.5/M16x1.5		
21	1		R709-208-GG	Connection box cover	HW/RW20/30/40		
25	(1)		R717-060	Line bushing	6x2.5mm2-M42x1.5 ATEX		
	(1)		R717-062	Line bushing	6x6mm2-M42x1.5 ATEX		
26	(1)		R709-292	Line bushing	3x1.5 mm2-M16x1.5 ATEX		
	(1)		R756-144	Plug	M16x 1.5		
Cable list YD 220 - 500V 50Hz							
35	1		R709-074	Cable	7x2.5mm2 Ø18.0-Ø21.0 CR / EPR / Cu		
36	1	77001Z	R709-002-RZ	Cable entry	G 7/8"	P408Z	AISI 316
37	1	77009Z	R709-005-RZ	Clamp	Ø18-21	P412Z	AISI 316
38	1	77055C	R709-030	Cable sleeve	27.5x19x23 Ø18-21		CR
39	2	77030Z repl	R709-010	Pressing ring	27.5x19.5x4		
45	2	9B4422 repl	R754-093	Hexagon socket screw	M 6 x 16		
46	2	9B4722 repl	R758-079	Lock washer			(M 6)
48	6	573302 repl	R759-007	Cable connector	(2.5mm2) AMP 0-0328730-0		
54	1		R709-213	Cover			
55	(1)		R709-278	Bearing cup	52		
56	1	77250Z	R713-210-RZ	Data plate	Robot Pumps		AISI 316
57	1		R713-212-RZ	Data plate	ATEX 2005 Eex		
59	1	9D1318	R751-004	O-ring	52.39x 3.53		NBR
60	1	9D1327	R751-054	O-ring	78.9 x 3.53		NBR
61	1	9D1360	R751-149	O-ring	221.84x 3.53		NBR
62	1	9D1360	R751-149	O-ring	221.84x 3.53		NBR
63	1	9D1352	R751-055	O-ring	171.04x 3.53		NBR
64	1	9D1338	R751-092	O-ring	114x 4.00		NBR
66	1	9B1824	R752-002	Circlip	A 20x1.2		spring steel
67	1	9B1835	R752-004	Circlip	A 35x1.5		spring steel
69	1	564110	R717-056	Grounding clamp	M6 10mm2		AISI 304
70	1		R717-055	Grounding clamp	M5 4mm2		
71	1		R753-079	Hexagon tap bolt	M 8x 16		
73	3	9B4440 repl	R754-092	Hexagon socket screw	M10x 20		

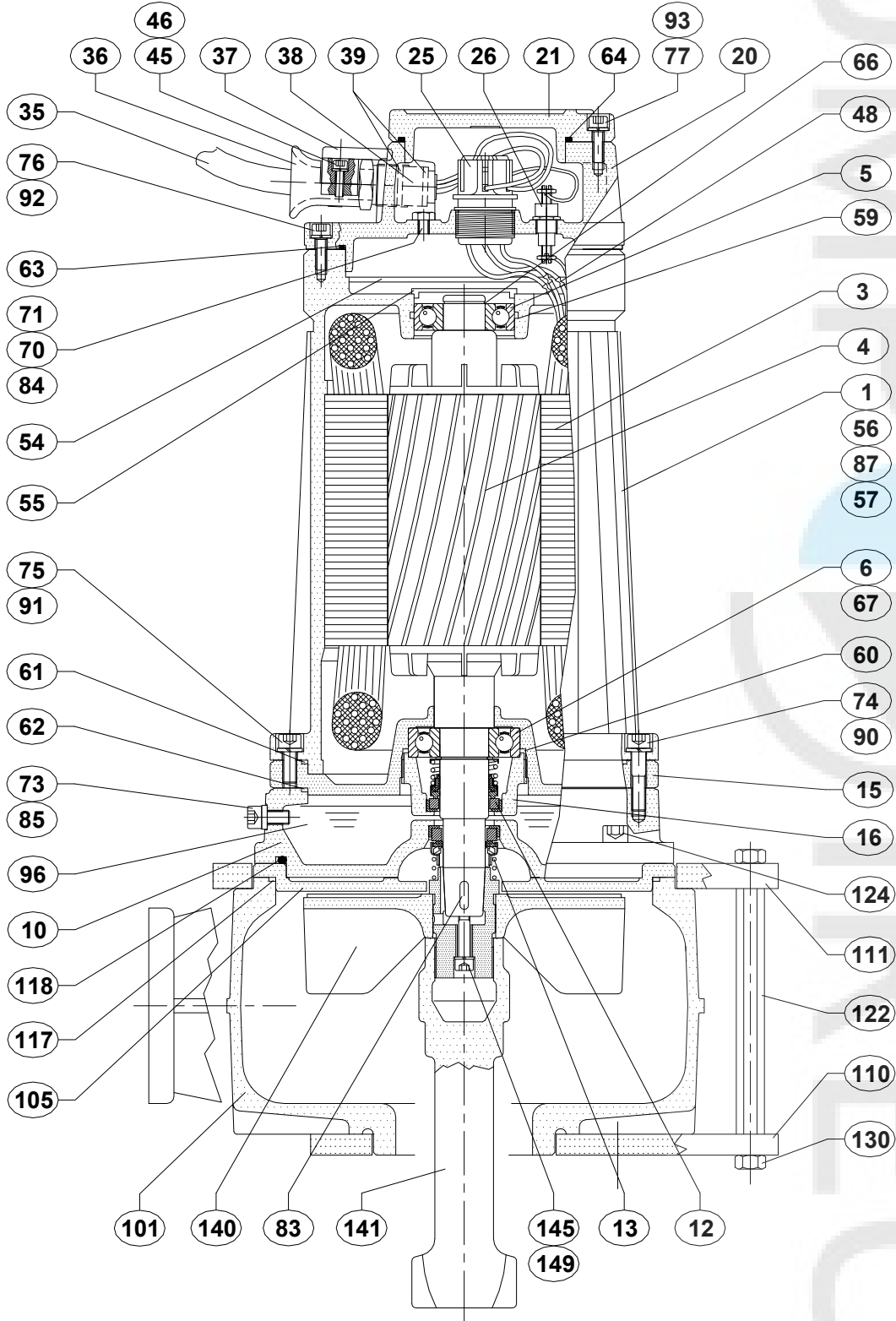
Pos	Qty	Part nr	Robot nr	Description		Pattern	Material
74	4	9B4494 repl	R754-120	Hexagon socket screw	M10x 45		
75	2	9B4441 repl	R754-027	Hexagon socket screw	M10x 25		
76	4	9B4431	R754-155	Hexagon socket screw	M 8x 25		AISI 316
77	3	9B4431	R754-155	Hexagon socket screw	M 8x 25		AISI 316
83	1	9B2305	R756-101	Key	6 x 6x20		AISI 316
84	1	9B5610	R756-028	Dubo ring	M 8 Type 11 14x8.3x3		PA 6.6
85	3	9B5611	R756-027	Dubo ring	M10 Type 11 17.2x10.5x4		PA 6.6
87	8	9B4202	R757-076	Data plate rivet	2.9x6.5		AISI 316
90	4	9B4724 repl	R758-076	Lock washer	(M10)		
91	2	9B4724 repl	R758-076	Lock washer	(M10)		
92	4	9B4723	R758-077	Lock washer	(M 8)		
93	3	9B4723	R758-077	Lock washer	(M 8)		
96	1	9S0033	R906-069	Oil	Shell Tellus 32 2 ltr		
101	1	76045H	R701-196-NH	Volute	RD4030 DNP/BNP42-30	P457H	Nihard 4
105	1	76046H	R711-169-NH	Wearing plate	RD/BD20/40 DNP/BNP22/42	P458H	Nihard 4
110	1	76175S	R713-169-ST	Locking plate	Ø134		S235JR
111	1	76134S	R713-170-ST	Locking plate	BD40 BNP42		S235JR
117	1	9D1369	R751-060	O-ring	266.29x 3.53		NBR
118	1	9D1368	R751-176	O-ring	249.3x 5.7		NBR
122	4	76173Z	R753-205	Screw spindle	M12x173 special		AISI 304
124	4	9B4452	R754-152	Hexagon socket screw	M12x 30		AISI 316
130	8	9B3826	R755-088	Nyloc nut	M12		AISI 316
140	1	76059H	R708-353-NH	Impeller	190 RD4030 con30	P470H	Nihard 4
	(1)	76060H	R708-409-NH	Impeller	190 BD/RD4030 con30	P470H	Nihard 4
141	1	76057H	R708-350-NH	Agitator	* Nutlock con30	P466H	Nihard 4
145	1	9B4435 repl	R754-119	Hexagon socket screw	M 8x 50		
	(1)	9B4432 repl	R754-084	Hexagon socket screw	M 8x 30		
149	1	9B4723	R758-077	Lock washer	(M 8)		
Supplement installation -F and -T							
200	1	76238T	R710-365-ST	Suspension bracket	T mh170/200-E		Fe galv.
201	4	9B4430 repl	R754-077	Hexagon socket screw	M 8x 20		
203	1	9H0421	R912-054	Shackle	10mm		AISI 316
210	1	76085H	R712-172-NH	Discharge bend	NW100-90gr.	P469H	Nihard 4
	(1)		R712-170-ST	Thread connection	G 4"-90gr.Bu		
	(1)	76425S	R712-194-ST	Thread connection	NPT 4"-90gr.Bu		S235JR
211	4	9B3121 repl	R753-244	Hexagon-head bolt	M12x 60		
213	4	9B3806 repl	R755-083	Nut	M12		
214	8	9B3906 repl	R758-095	Washer	(M12)		
218	1	706282	R761-002	Gasket	140xØ105x2		CR
230	1	76170T	R715-084-ST	Support ring	Ø135		Fe galv.
232	4	9B4462	R754-102	Hexagon socket screw	M16x 30		
234	4	9B4726	R758-082	Lock washer	(M16)		AISI 316

Pos	Qty	Part nr	Robot nr	Description		Pattern	Material
Option: rotorshaft with AISI 316 shaftend							
4	1	9T511Z	R703-436-RZ	Rotor	6kW-4 + 5kW-4 con30		AISI 431/316
Optional viton seals							
13	1	9D2269	R706-317	Mechanical seal	Ø30 Viton		SiC/SiC/FPM
61	1	9D1317	R751-149-VI	O-ring	221.84 x 3.53		Viton
62	1	9D1317	R751-149-VI	O-ring	221.84 x 3.53		Viton
63	1	9D1397	R751-204-VI	O-ring	171.04x 3.53		Viton
64	1	9D1374	R751-165-VI	O-ring	114x 4.00		
84	1	77078F	R756-127-VI	Seal ring	Ø14xØ8.1x2 (M 8)		FPM
85	3	77079L	R756-128	Seal ring	Ø17xØ10.2x2 (M10)		PTFE
118	1	9D1314	R751-176-VI	O-ring	249.3x 5.7		Viton
218	1	77164F	R761-060-VI	Gasket	140xØ10x2 DWP/DNP22-30/31/40		FPM
Option: cable entry and protection sleeve (AISI 316)							
36	1/2	77003Z	R709-316-RZ	Cable entry	G 7/8"-G1"	P410Z	AISI 316
37	(1/2)	77012Z	R709-317-RZ	Clamp	Ø15-17	P415Z	AISI 316
	(1/2)	77013Z	R709-318-RZ	Clamp	Ø18-21	P416Z	AISI 316
40	1/2	77070Z	R709-270	Cable hose	Ø25 l=3 m		AISI 316
	(1/2)	77071Z	R709-314	Cable hose	Ø25 l=5 m		AISI 316
	(1/2)	77072Z	R709-348	Cable hose	Ø25 l=10 m		AISI 316
42	1/2	77076L	R760-145	Seal ring	Ø23xØ19x2		PTFE
43	1/2	77077L	R709-301	Seal ring	Ø30xØ22x2		PTFE
45	2/4	9B4422	R754-085	Hexagon socket screw	M 6 x 16		AISI 316
46	2/4	9B4722	R758-088	Lock washer	(M 6)		AISI 316
Option: waterdetector for Flameproof pumps							
10	1	76012G	R704-141-GG-X	Seal housing	DWP42-Ex waterdet. ext.	P526G	EN-GJL-250
300	1	9W2771	R709-335	Cable	2x0.75mm2-Ø9		PPOV-af
301	1	77073Q	R709-336	Cable entry	Hummel HSK-M PG13.5		CuZn 40
302	1	77074Q	R717-100	Terminal	2 pole, 2.5mm2, blue 07-9702-0220/2		
Option Sparepart kit							
600	1	77803E	R510-2001	Spare part kit	RC/RD/RT/RW40-Ex		

RD4030
RD4041

 **ROBOT PUMPS**
By Pompdirect

Dwg : 400 N4
Date : 04-1996
Page : 1/2
By : PZ
Repl. : .



RD4030
RD4041

