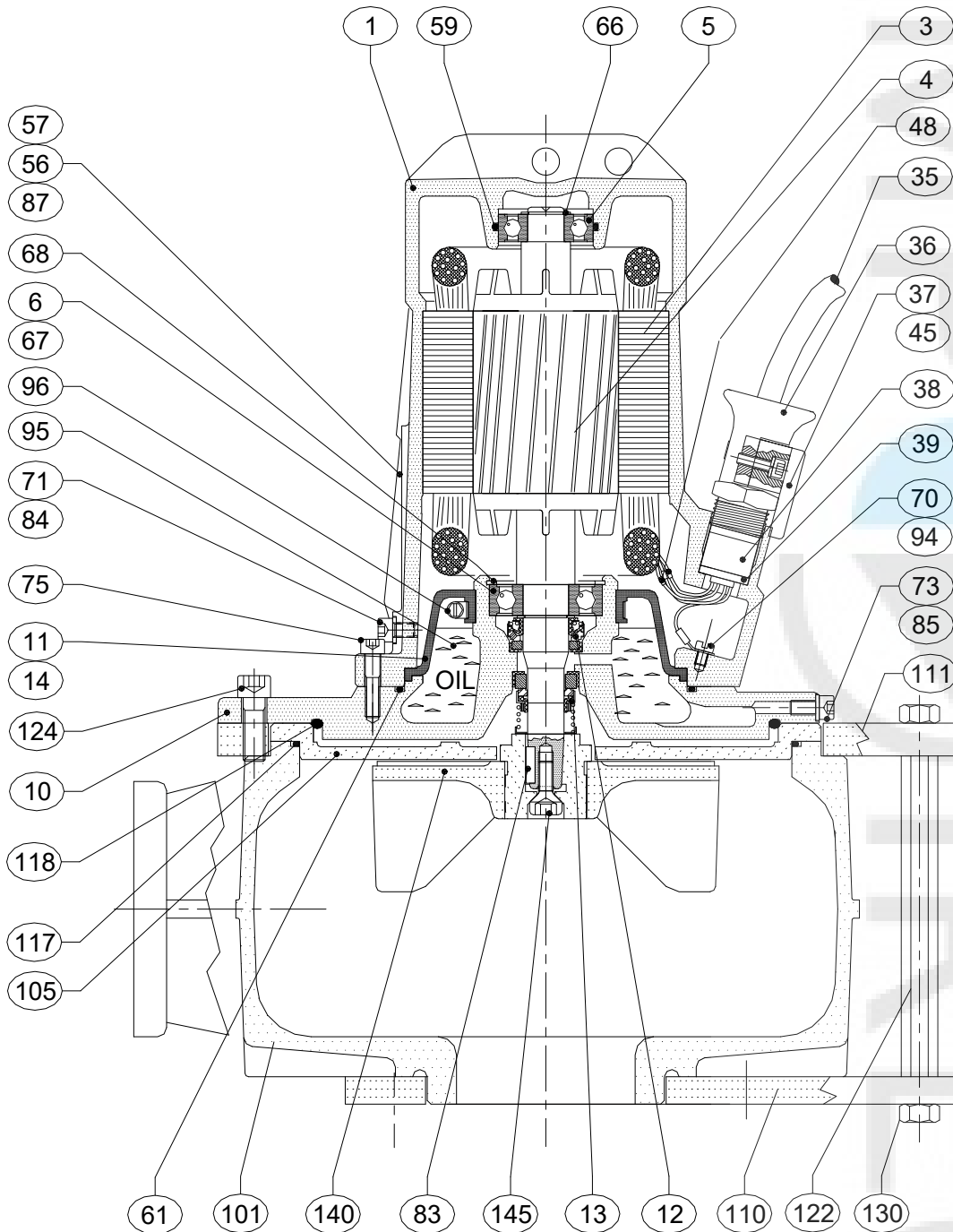


Basic version

Pos	Qty	Part nr	Robot nr	Description	Pattern	Material
1	1		R700-184-GG	Motor housing		mh150
3	1	9T005F	R702-302-BK	Stator with thermo switches		3.5 kW-4 400/690V-50Hz
4	1	9T505M	R703-450-RM	Rotor		3.5kW-4 con20 AISI 431
5	1	9L0384	R750-108	Ball bearing		6304 2RSH /C3 GJN
6	1	9L0435	R750-005	Ball bearing		6305 2RS C3
10	1		R704-180-GG	Seal housing		RW2122/30/40
11	1	76150B	R704-128-NI	Membrane		RW/RS/RD/RC20/21 NBR
12	1	9D2275	R706-328	Mechanical seal		Ø25 Carbon/AIOx/NBR
13	1	9D2274	R706-291	Mechanical seal		Ø20 SiC/SiC/NBR
14	1		R752-044	Support ring		S150
Cable list DOL 220 - 500V 50Hz						
35	1	9W2751	R709-147	Cable		4G2.5mm2 H07RN8-F Ø12.6 Lineax Plus
36	1	77000Z	R709-016-RZ	Cable entry	P407Z	G 7/8" Ø 20 AISI 316
38	1	77052C	R709-027	Cable sleeve		27.5x12x23 Ø11-13 CR
39	2	77031Z	R709-125	Pressing ring		27.5x15x3 AISI 316
48	3	77094Q	R759-136	Cable connector		2.5mm2
Cable list DOL 220 - 500V with 3 aux. leaders or YD 220 - 500V 50Hz						
35	1	9W2765	R709-151	Cable		7G2.5mm2 H07RN8-F Ø17,0
36	1	77000Z	R709-016-RZ	Cable entry	P407Z	G 7/8" Ø 20 AISI 316
38	1	77058C	R709-166	Cable sleeve		27.5x18x23 Ø17-20 CR
39	2	77036Z repl	R709-167	Pressing ring		27.5x18x3
48	6	77094Q	R759-136	Cable connector		2.5mm2
Cable list YD 380 - 500V with 3 aux. leaders 50Hz						
35	1	9W2766	R709-306	Cable		12G1.5mm2 H07RN8-F Ø18.3
36	1	77001Z	R709-002-RZ	Cable entry	P408Z	G 7/8" AISI 316
38	1	77055C	R709-030	Cable sleeve		27.5x19x23 Ø18-21 CR
39	2	77030Z	R709-235	Pressing ring		27.5x19x3 AISI 316
48	6	77094Q	R759-136	Cable connector		2.5mm2
	3	77093Q	R759-135	Cable connector		1.5mm2 rood doorzichtig pers
56	1	77250Z	R713-210-RZ	Data plate		Robot Pumps AISI 316
59	1	9D1318	R751-004	O-ring		52.39x 3.53 NBR
61	1	9D1349	R751-093	O-ring		152x 3.53 NBR
66	1	9B1824	R752-002	Circlip		A 20x1.2 spring steel
67	1	9B1825	R752-007	Circlip		A 25x1.2 spring steel
68	1	9B2062	R752-034	Circlip		J 62x2 spring steel
70	1	9B3429	R757-083	Grounding screw		M 6 x 8 CuZn 40
71	1	9B4428 repl	R754-157	Hexagon socket screw		M 8x 12
73	2	9B0523	R754-028	Hexagon socket screw		M 8x 16 AISI 316
75	4	9B4433 repl	R754-030	Hexagon socket screw		M 8x 35
83	1	9B2303	R756-130	Key		5 x 5x 20 AISI 316
84	1	9B5610	R756-028	Dubo ring		M 8 Type 11 14x8.3x3 PA 6.6
85	2	9B5610	R756-028	Dubo ring		M 8 Type 11 14x8.3x3 PA 6.6
87	8	9B4202	R757-076	Data plate rivet		2.9x6.5 AISI 316

Pos	Qty	Part nr	Robot nr	Description		Pattern	Material
94	1	573263	R759-002	Cable lug	M 6 (2.5mm ²) 0-0034162-0		
95	1	9B6414	R906-064	Hose clamp	Ø80-100 mm b=9mm		RVS+Nikkelstaal
96	1	9S0033	R906-069	Oil	Shell Tellus 32 2 ltr		
101	1	76045H	R701-196-NH	Volute	RD4030 DNP/BNP42-30	P457H	Nihard 4
105	1	76046H	R711-169-NH	Wearing plate	RD/BD20/40 DNP/BNP22/42	P458H	Nihard 4
110	1	76175S	R713-169-ST	Locking plate	Ø134		S235JR
111	1	76134S	R713-170-ST	Locking plate	BD40 BNP42		S235JR
117	1	9D1369	R751-060	O-ring	266.29x 3.53		NBR
118	(1)	9D1360	R751-149	O-ring	221.84x 3.53		NBR
122	4	76173Z	R753-205	Screw spindle	M12x173 special		AISI 304
124	4	9B4452 repl	R754-099	Hexagon socket screw	M12x 30		
130	8	9B3826	R755-088	Nyloc nut	M12		AISI 316
140	1	76053H	R708-420-NH	Impeller	190 RD2130 con20	P470H	Nihard 4
145	1	706292	R754-117	Hex. sock. screw counter sunk.	M 8x 20		AISI 316
200	1	77142T repl	R710-306-ST	Suspension bracket	H Horz DP42		
201	2	9B4440 repl	R754-092	Hexagon socket screw	M10x 20		
203	1	9H0421	R912-054	Shackle	10mm		AISI 316
210	1	76135G	R712-053-GG	Hose connection	4" recht (BWK100)	P506G	EN-GJL-250
	(1)	76262G	R712-054-GG	Hose connection	6"-4 recht (BWK150)	P554G	EN-GJL-250
	(1)	76139G	R712-134-GG	Hose connection	4"-3" recht	P516G	EN-GJL-250
211	4	9B3057	R753-152	Hexagon-head bolt	M12x 50		AISI 316
213	4	9B3806 repl	R755-083	Nut	M12		
214	4	9B3906 repl	R758-095	Washer	(M12)		
218	1	706282	R761-002	Gasket	140xØ105x2		CR
220	1		R712-208-ST	Suction elbow	NW 80		
221	4		R754-194	Hexagon socket screw	M16x 25		
Supplement installation -V/ OWK							
203	1	9H0421	R912-054	Shackle	10mm		AISI 316
211	4	9B3057	R753-152	Hexagon-head bolt	M12x 50		AISI 316
213	4	9B3806 repl	R755-083	Nut	M12		
214	4	9B3906 repl	R758-095	Washer	(M12)		
218	1	706282	R761-002	Gasket	140xØ105x2		CR
	(1)	76226C	R761-057	Gasket	150xØ 97x2 Ontl.		CR
Option: rotorshaft with AISI 316 shaftend							
4	1	9T505Z	R703-450-RZ	Rotor	3.5kW-4 con20		AISI 431/316
Optional viton seals							
13	1	9D2278	R706-330-VI	Mechanical seal	Ø20		Silcarb/Silcarb/FP
61	1	9D1395	R751-163-VI	O-ring	152 x 3.53		Viton
Optional viton seals							
118	1		R751-222	O-ring	270x 4.00		
122	1	9D1314	R751-176-VI	O-ring	249.3x 5.7		Viton
218	1	77164F	R761-060-VI	Gasket	140xØ10x2 DWP/DNP22-30/31/40		FPM

Pos	Qty	Part nr	Robot nr	Description		Pattern	Material
Option: cable entry and protection sleeve (AISI 316)							
36	1	77003Z	R709-316-RZ	Cable entry	G 7/8"-G1"	P410Z	AISI 316
37	1	77013Z	R709-318-RZ	Clamp	Ø18-21	P416Z	AISI 316
40	1	77070Z	R709-270	Cable hose	Ø25 l=3 m		AISI 316
	(1)	77071Z	R709-314	Cable hose	Ø25 l=5 m		AISI 316
	(1)	77072Z	R709-348	Cable hose	Ø25 l=10 m		AISI 316
42	1	77076L	R760-145	Seal ring	Ø23xØ19x2		PTFE
43	1	77077L	R709-301	Seal ring	Ø30xØ22x2		PTFE
45	2	9B4422	R754-085	Hexagon socket screw	M 6 x 16		AISI 316
Option: waterdetector							
300	1		R717-090	Water probe			
Option Sparepart kit							
600	1	77800E	R500-1001	Spare part kit	RC/RD/RS/RW20/21/22 Basis		



RD2130

