

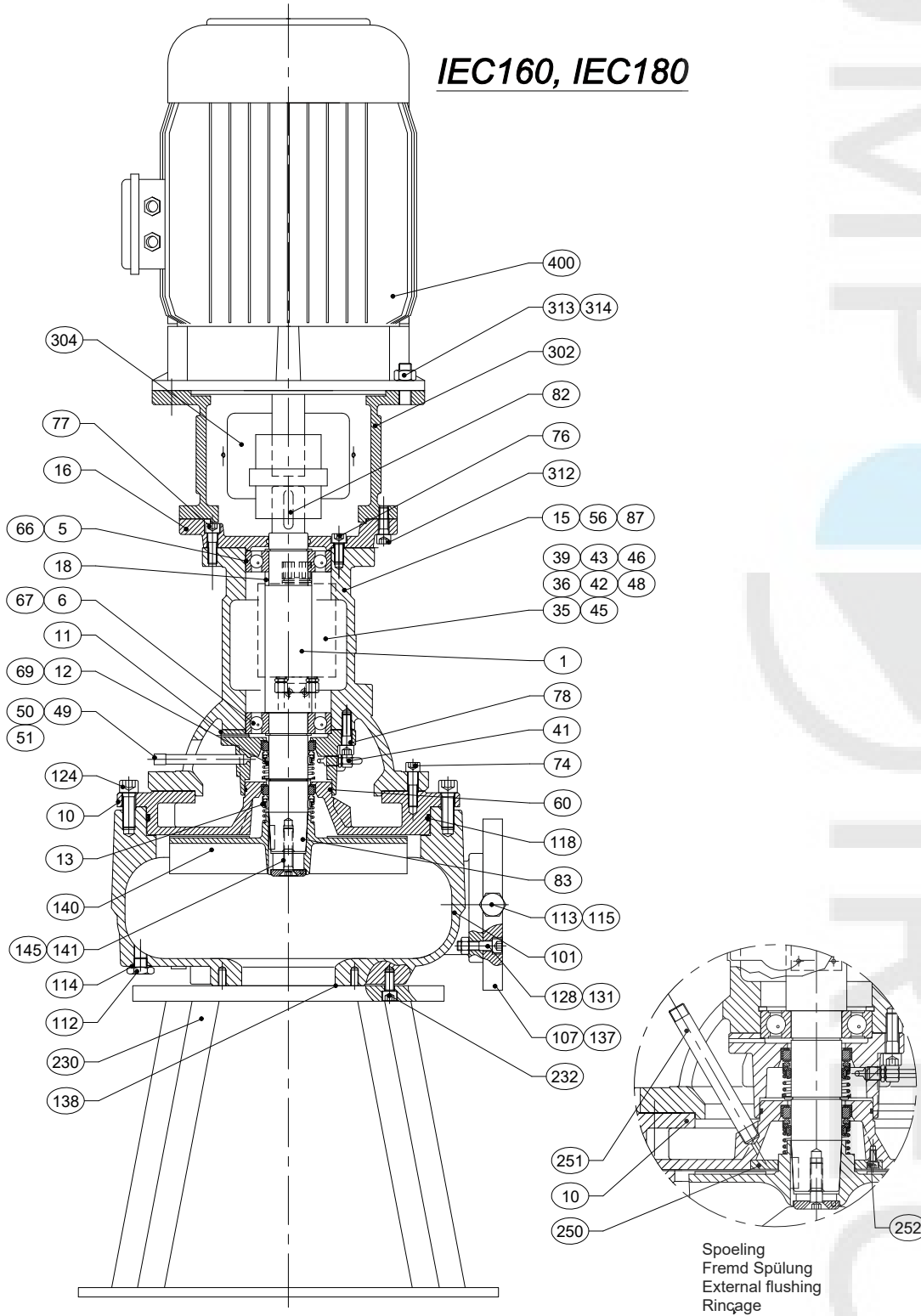
Basic version

Pos	Qty	Part nr	Robot nr	Description		Pattern	Material
1	1	706297	R703-352-RM	Pump shaft	IEC160/225		AISI 304
5	1	9L0390	R750-057	Ball bearing	6310-2Z		
	(1)	9L1110	R750-101	Ang. contact ball bearing	3310-2Z IEC200/225		
6	1	9L0390	R750-057	Ball bearing	6310-2Z		
10	1	706298	R704-193-GG	Seal housing	BW/BD60	P4018	EN-GJL-250
11	1	706299	R704-194-GG	Seal housing	-2 BW60	P4019	EN-GJL-250
12	1	9D2271	R706-301	Mechanical seal	Ø50 NBR/ceramic/SiC/1.457		SiC/ceramic/NBR
13	1	9D2270	R706-300	Mechanical seal	Ø50 NBR / SiC/SiC / 1.4571		SiC/SiC/NBR
14	1	9D1131	R706-334	Lip seal	OBC 050.065.10-11		
15	1	706213	R707-189-GG	Bearing housing	Ø110 IEC132/180	P4016	EN-GJL-250
	(1)		R707-204-GG	Bearing housing	-V Ø110/Ø110 IEC200/280		
16	1	76164G	R707-212-GG	Bearing housing cover	-V IEC132/180	P436G	EN-GJL-250
	(1)	706206	R707-209-GG	Bearing housing cover	IEC132/180	P4001	EN-GJL-250
18	1	706246	R707-084-ST	Distance ring	IEC100-180		S235JR
35	1	706234	R716-071-RV	Oil tank			AISI 304
36	1	706210	R716-086	Filling plug			
39	1	76368V	R716-089-ST	Bracket	-V < IEC 200		RVS 304
41	2	706233	R716-043	Coupling	RIK 8x1/4"		CuZn 40
42	2	706233	R716-043	Coupling	RIK 8x1/4"		CuZn 40
43	2	9M5530	R716-031	Pipe	Ø8 L=100mm		Cu
45	2	9B4423	R754-141	Hexagon socket screw	M 6 x 20		AISI 316
46	2	9B4423	R754-141	Hexagon socket screw	M 6 x 20		AISI 316
47	2	9B4722	R758-088	Lock washer	(M 6)		AISI 316
48	2	9B3803	R755-077	Nut	M 6		AISI 316
49	(1)	706280	R716-091	Pipe nipple	R1/4"x100		Fe galv.
50	(1)	9F2502	R716-092	Socket	R1/4"		Fe galv.
51	1	9B5420	R756-139	Plug	R 1/4"		AISI 316
56	1	77256Z	R713-259-RZ	Data plate	Blanco 87x45x1		
60	1	9D1335	R751-032	O-ring	104.5x 3.00		NBR
66	1	9B1850	R752-006	Circlip	A 50x2		spring steel
67	1	9B1850	R752-006	Circlip	A 50x2		spring steel
68	1	9B1870	R752-033	Circlip	J110x4		spring steel
69	1	9B1850	R752-006	Circlip	A 50x2		spring steel
74	8	9B4455	R754-170	Hexagon socket screw	M12x 45		AISI 316
76	4	9B4451	R754-183	Hexagon socket screw	M12x 25		AISI 316
77	4	9B4454	R754-164	Hexagon socket screw	M12x 40		AISI 316
78	4	9B4454	R754-164	Hexagon socket screw	M12x 40		AISI 316
82	1	9B2332	R756-012	Key	12x 8x50		AISI 316
83	1	9B2316	R756-125	Key	10x 8x30		AISI 316
87	4	9B4202	R757-076	Data plate rivet	2.9x6.5		AISI 316
96	1	9S0033	R906-069	Oil	Shell Tellus 32 2 ltr		
101	1	706300	R701-232-GG	Volute	RW6141/BW6141	P4020	EN-GJL-250
107	1	706279	R712-161-ST	Reducer flange	R100-NW100		S235JR
	(1)		R712-214-ST	Reducer flange	R100-4" ANSI 150		
	(1)	76497S	R712-193-ST	Reducer flange	R100-NW150 PN10/PN16		S235JR

Pos	Qty	Part nr	Robot nr	Description		Pattern	Material
112	1	9B5310	R709-325	Plug	G 3/8"		CuZn 40
113	1	9B5310	R709-325	Plug	G 3/8"		CuZn 40
114	1	706231	R713-175	Seal ring	A 17x23x1.5 plug G3/8"		Cu
115	1	706231	R713-175	Seal ring	A 17x23x1.5 plug G3/8"		Cu
118	1	9D1384	R751-122	O-ring	345x 5.00		NBR
124	8	9B4459	R754-192	Hexagon socket screw	M16x 45		AISI 316
128	4	9B4455	R754-170	Hexagon socket screw	M12x 45		AISI 316
131	4	9B3806	R755-091	Nut	M12		AISI 316
137	1	706282	R761-002	Gasket	140xØ105x2		CR
138	1	706304	R760-139	Gasket	Ø190xØ125x3		CR
140	1	706302	R708-377-NG H	Impeller	RW6141/6111 con50	P4021	EN-GJS-400-15
	(1)		R708-377-NG-3	Impeller	360 RW6141/6111 con50		
	(1)		R708-377-NG-3	Impeller	340 RW6141/6111 con50		
	(1)		R708-377-NG-3	Impeller	335 RW6141/6111 con50		
	(1)		R708-377-NG-3	Impeller	315 RW6141/6111 con50		
	(1)		R708-377-NG-3	Impeller	300 RW6141/6111 con50		
	(1)		R708-377-NG-2	Impeller	295 RW6141/6111 con50		
	(1)		R708-377-NG-2	Impeller	285 RW6141/6111 con50		
	(1)		R708-377-NG-2	Impeller	275 RW6141/6111 con50		
	(1)		R708-377-NG-2	Impeller	270 RW6141/6111 con50		
	(1)		R708-377-NG-2	Impeller	265 RW6141/6111 con50		
	(1)		R708-377-NG-2	Impeller	255 RW6141/6111 con50		
	(1)		R708-377-NG-2	Impeller	250 RW6141/6111 con50		
	(1)		R708-377-NG-2	Impeller	245 RW6141/6111 con50		
	(1)		R708-377-NG-2	Impeller	225 RW6141/6111 con50		
	(1)		R708-377-NG-2	Impeller	200 RW6141/6111 con50		
	(1)		R708-377-NG-1	Impeller	180 RW6141/6111 con50		
141	1	706305	R713-160-RZ	Impeller hubcap	Ø44x13.5x8		AISI 316
145	1	9B0645	R754-203	Hex. sock. screw counter sunk.	M12x 55		AISI 316
Supplement support vertical installation							
230	1	76519S	R715-101-ST	Support	V NW125		
232	4	9B4442	R754-151	Hexagon socket screw	M10x 30		AISI 316
232.1	4	9B4725	R758-091	Lock washer	(M12)		AISI 316
Supplement supplement adapter, coupling and motors IEC160/180							
302	1	76346G	R700-092-GG	Support	IEC160/180, -V opst	P4026	EN-GJL-250
304	(1)	9T0711	R710-322	Coupling	J-Flex Swift Spider 150-IEC160M Ø 42/42		
	(1)	9T0712	R710-323	Coupling	J-Flex Swift Spider 190-IEC160L Ø 42/42		
	(1)	9T0713	R710-324	Coupling	J-Flex Swift Spider 225-IEC180M+L Ø 42/48		toekomstig
310	4	9B3907	R758-103	Washer	(M16)		AISI 316
311	4	9B4453	R754-182	Hexagon socket screw	M12x 35		AISI 316
313	4	9B3735	R753-144	Stud bolt	M16x 40		AISI 316
314	4	9B3807	R755-093	Nut	M16		AISI 316
330	2	706278	R710-494-ST	Protecting shield	BW, BT VK8/St10		Fe galv.
331	4	9B4420	R754-184	Hexagon socket screw	M 6 x 12		AISI 316
400	(1)	IEC160M 11.0-4B5	R790-032	Motor	IEC160M 11kW-4 Flens B5		
	(1)	IEC160L 15.0-4B5	R790-033	Motor	IEC160L 15 kW-4 Flens B5		

Pos	Qty	Part nr	Robot nr	Description		Pattern	Material
400	(1)	IEC160L 11.0-6B5	R790-074	Motor	IEC160L 11 kW-6 Flens B5		
Supplement supplement adapter, coupling and motors IEC200							
302	1		R700-208-ST	Support	IEC 200		
304	1	9T0715	R710-343	Coupling	J-Flex Swift Spider 225- IEC200L-2/4P Ø 42/55		
313	4		R754-195	Hexagon socket screw	M20x 35		
314	4	9B3807	R755-093	Nut	M16		AISI 316
	4	9B3735	R753-144	Stud bolt	M16x 40		AISI 316
330	4	706278	R710-494-ST	Protecting shield	BW, BT VK8/St10		Fe galv.
331	16	9B4420	R754-184	Hexagon socket screw	M 6 x 12		AISI 316
400	(1)	IEC200L 30-4V1	R790-076	Motor	IEC200L 30 kW-4 Flens V1		
	(1)	IEC160L 11.0-6B5	R790-074	Motor	IEC160L 11 kW-6 Flens B5		
	(1)		R790-115	Motor	IEC200L 37kW-2-V1		
Supplement supplement adapter, coupling and motors IEC225							
302	1		R700-209-ST	Support	IEC 225 BW/BD		
304	1		R710-193	Coupling	IEC 225 Ø 42/60		
312	4		R754-195	Hexagon socket screw	M20x 35		
313	4	9B3735	R753-144	Stud bolt	M16x 40		AISI 316
314	4	9B3807	R755-093	Nut	M16		AISI 316
330	4	706278	R710-494-ST	Protecting shield	BW, BT VK8/St10		Fe galv.
331	16	9B4420	R754-184	Hexagon socket screw	M 6 x 12		AISI 316
400	(1)	IEC225S 37-4V1	R790-057	Motor	IEC225S 37 kW-4 Flens V1		
	(1)	IEC225M 45-4V1	R790-059	Motor	IEC225M 45 kW-4 Flens V1		
Option: seal flushing							
10	1	76447G	R704-193-GG-F	Seal housing	BW/BD60 spoelw/flushing	P4018	EN-GJL-250
250	1	76448Z	R711-180-RD	Baffle plate	BW60 BWP62		AISI 316
251	1	706232	R716-029	Pipe nipple	R3/8 x 150		AISI 316
252	3	9B4420	R754-184	Hexagon socket screw	M 6 x 12		AISI 316
Option: seal flushing IEC200/280							
10	1	76447G	R704-193-GG-F	Seal housing	BW/BD60 spoelw/flushing	P4018	EN-GJL-250
250	1	76448Z	R711-180-RD	Baffle plate	BW60 BWP62		AISI 316
251	1	9M5530	R716-031	Pipe	Ø8 L=100mm		Cu
252	3	9B4420	R754-184	Hexagon socket screw	M 6 x 12		AISI 316
253	1	9F0353	R716-093	Reducer	R3/8"-R1/4" bu/bi		Fe galv.
254	2	706233	R716-043	Coupling	RIK 8x1/4"		CuZn 40
255	1	9F2502	R716-092	Socket	R1/4"		Fe galv.
Option Sparepart kit							
600	1		R506-7003	Spare part kit	BW6032/41 BWP/BNP62		
Option Sparepart kit							
600	1		R506-7004	Spare part kit	BW60 IEC200		

IEC160, IEC180



IEC200, IEC225

