

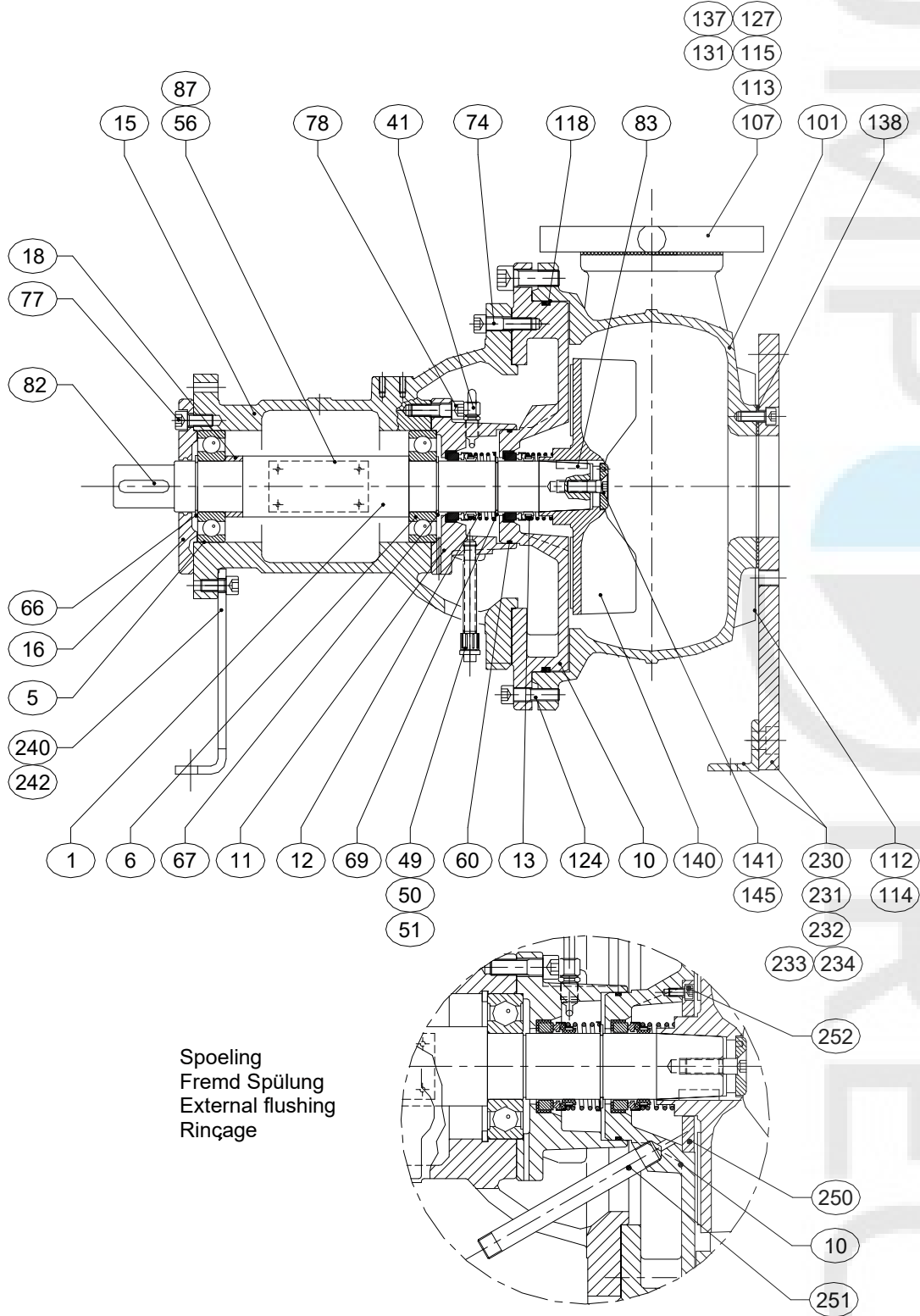
Basic version

Pos	Qty	Part nr	Robot nr	Description		Pattern	Material
1	1	706297	R703-352-RM	Pump shaft	IEC160/225		AISI 304
5	1	9L0390	R750-057	Ball bearing	6310-2Z		
	(1)	9L1110	R750-101	Ang. contact ball bearing	3310-2Z IEC200/225		
6	1	9L0390	R750-057	Ball bearing	6310-2Z		
10	1	706298	R704-193-GG	Seal housing	BW/BD60	P4018	EN-GJL-250
11	1	706299	R704-194-GG	Seal housing	-2 BW60	P4019	EN-GJL-250
12	1	9D2271	R706-301	Mechanical seal	Ø50 NBR/ceramic/SiC/1.457		SiC/ceramic/NBR
13	1	9D2270	R706-300	Mechanical seal	Ø50 NBR / SiC/SiC / 1.4571		SiC/SiC/NBR
14	1	9D1131	R706-334	Lip seal	OBC 050.065.10-11		
15	1	706213	R707-189-GG	Bearing housing	Ø110 IEC132/180	P4016	EN-GJL-250
16	1	706206	R707-209-GG	Bearing housing cover	IEC132/180	P4001	EN-GJL-250
18	1	706246	R707-084-ST	Distance ring	IEC100-180		S235JR
35	1	706234	R716-071-RV	Oil tank			AISI 304
36	1	706210	R716-086	Filling plug			
	1	9B5320	R756-137	Plug	G 1"		PA 66
39	1	706235	R716-072	Bracket	-H		S235JR
41	2	706233	R716-043	Coupling	RIK 8x1/4"		CuZn 40
42	2	706233	R716-043	Coupling	RIK 8x1/4"		CuZn 40
43	2	9M5530	R716-031	Pipe	Ø8 L=100mm		Cu
45	2	9B4423	R754-141	Hexagon socket screw	M 6 x 20		AISI 316
46	2	9B4423	R754-141	Hexagon socket screw	M 6 x 20		AISI 316
47	2	9B4722	R758-088	Lock washer	(M 6)		AISI 316
48	2	9B3803	R755-077	Nut	M 6		AISI 316
49	1	706280	R716-091	Pipe nipple	R1/4"x100		Fe galv.
50	1	9F2502	R716-092	Socket	R1/4"		Fe galv.
51	1	9B5420	R756-139	Plug	R 1/4"		AISI 316
56	1	77256Z	R713-259-RZ	Data plate	Blanco 87x45x1		
60	1	9D1335	R751-032	O-ring	104.5x 3.00		NBR
66	1	9B1850	R752-006	Circlip	A 50x2		spring steel
67	1	9B1850	R752-006	Circlip	A 50x2		spring steel
68	1	9B1870	R752-033	Circlip	J110x4		spring steel
69	1	9B1850	R752-006	Circlip	A 50x2		spring steel
74	8	9B4455	R754-170	Hexagon socket screw	M12x 45		AISI 316
77	4	9B4451	R754-183	Hexagon socket screw	M12x 25		AISI 316
78	4	9B4454	R754-164	Hexagon socket screw	M12x 40		AISI 316
82	1	9B2332	R756-012	Key	12x 8x50		AISI 316
83	1	9B2316	R756-125	Key	10x 8x30		AISI 316
87	4	9B4202	R757-076	Data plate rivet	2.9x6.5		AISI 316
96	1	9S0033	R906-069	Oil	Shell Tellus 32 2 ltr		
101	1	76123G	R701-178-GG	Volute	RW6132-F/A BWP62-32	P501G	EN-GJL-250
107	1	706279	R712-161-ST	Reducer flange	R100-NW100		S235JR
	(1)		R712-214-ST	Reducer flange	R100-4" ANSI 150		
112	1	9B5310	R709-325	Plug	G 3/8"		CuZn 40
113	1	9B5310	R709-325	Plug	G 3/8"		CuZn 40
114	1	706231	R713-175	Seal ring	A 17x23x1.5 plug G3/8"		Cu

Pos	Qty	Part nr	Robot nr	Description	Pattern	Material
115	1	706231	R713-175	Seal ring	A 17x23x1.5 plug G3/8"	Cu
118	1	9D1384	R751-122	O-ring	345x 5.00	NBR
124	8	9B4459	R754-192	Hexagon socket screw	M16x 45	AISI 316
128	4	9B4455	R754-170	Hexagon socket screw	M12x 45	AISI 316
131	4	9B3806	R755-091	Nut	M12	AISI 316
137	1	706282	R761-002	Gasket	140xØ105x2	CR
138	1	706281	R760-138	Gasket	Ø158xØ100x3	CR
140	1	W06155	R708-358-NG	Impeller	DWP62-30/32 con50	EN-GJS-400-15
	(1)		R708-358-NG-2	Impeller	252 RW6132/BW6030 con50	
	(1)		R708-358-NG-2	Impeller	242 RW6132/BW6030 con50	
	(1)		R708-358-NG-2	Impeller	240 RW6132/BW6030 con50	
	(1)		R708-358-NG-2	Impeller	230 RW6132/BW6030 con50	
	(1)		R708-358-NG-2	Impeller	220 RW6132/BW6030 con50	
	(1)		R708-358-NG-2	Impeller	210 RW6132/BW6030 con50	
	(1)		R708-358-NG-2	Impeller	200 RW6132/BW6030 con50	
	(1)		R708-358-NG-1	Impeller	190 RW6132/BW6030 con50	
	(1)		R708-358-NG-1	Impeller	187 RW6132/BW6030 con50	
	(1)		R708-358-NG-1	Impeller	180 RW6132/BW6030 con50	
	(1)		R708-358-NG-1	Impeller	178 RW6132/BW6030 con50	
	(1)		R708-358-NG-1	Impeller	175 RW6132/BW6030 con50	
	(1)		R708-358-NG-1	Impeller	170 RW6132/BW6030 con50	
	(1)		R708-358-NG-1	Impeller	160 RW6132/BW6030 con50	
	(1)		R708-358-NG-1	Impeller	155 RW6132/BW6030 con50	
	(1)		R708-358-NG-1	Impeller	145 RW6132/BW6030 con50	
	(1)		R708-358-NG-1	Impeller	140 RW6132/BW6030 con50	
141	1	706305	R713-160-RZ	Impeller hubcap	Ø44x13.5x8	AISI 316
145	1	9B3554	R754-180	Hex. sock. screw counter sunk.	M12x 40	AISI 316
230	1	76422S	R710-414-ST	Volute support	H NW100 hh280	S235JR
231	1	706224	R710-402-ST	Volute support	-2 BW BWP	S235JR
232	3	9B4441	R754-153	Hexagon socket screw	M10x 25	AISI 316
	4	9B4453	R754-182	Hexagon socket screw	M12x 35	AISI 316
233	2	9B4462	R754-215	Hexagon socket screw	M16x 30	AISI 316
234	2	9B3907	R758-103	Washer	(M16)	AISI 316
235	2	9B3807	R755-093	Nut	M16	AISI 316
240	1	706226	R710-411-ST	Bearing housing support	40/60/62 (GP) hh280	S235JR
242	2	9B4451	R754-183	Hexagon socket screw	M12x 25	AISI 316
Supplement frame, motors and v-belt options						
300	(1)	706218	R710-390-ST	Frame	BW-K IEC100/180	S235JR
	(1)	706222	R710-395-ST	Frame	BW-K IEC200/225	S235JR
301	(1)	9T2020	R713-157	Tensioning rail	W600/10 IEC 100/132	
	(1)	9T2021	R713-158	Tensioning rail	G180/12 IEC 160/180	
	(1)	9T2022	R713-180	Tensioning rail	G225/16 IEC200/225	
304.1	2	9T0640	R713-191	Clamping profile	14.5x10	EPDM
304.2	4	706237	R710-451	Mounting plate	Z	S235JR
304	(2)	706229	R710-518	Mounting plate	Z-profiel	S235JR
305	(2)	706215	R710-269	Protecting shield	BW-K IEC100-180	S235JR
	(2)	706223	R710-396	Protecting shield	BW-K IEC200-225	S235JR
306	(1)		R713-138	Grip bush	Ø 28 IEC 100/112 Sn140	
	(1)	9T0628	R713-142	Grip bush	Ø 28 IEC 100/112 Sn150/224	

Pos	Qty	Part nr	Robot nr	Description	Pattern	Material	
306	(1)	9T0630	R713-140	Grip bush	Ø 38 IEC 132 Sn140		
	(1)	9T0629	R713-144	Grip bush	Ø 38 IEC 132 Sn150/224		
	(1)	9T0635	R713-174	Grip bush	Ø 42 IEC 160 Sn140		
307	(1)	9T0631	R713-145	Grip bush	Ø 42 IEC 160 Sn150/224		
	(1)	9T0634	R713-148	Grip bush	Ø 42 IEC 160 Sn250/355		
	(1)	9T0632	R713-146	Grip bush	Ø 48 IEC 180 Sn150/224		
	(1)	9T0635	R713-174	Grip bush	Ø 42 IEC 160 Sn140		
	(1)	9T0631	R713-145	Grip bush	Ø 42 IEC 160 Sn150/224		
	(1)	9T0634	R713-148	Grip bush	Ø 42 IEC 160 Sn250/355		
	(1)	9T0633	R713-147	Grip bush	Ø 55 IEC 200 Sn150/224		
	(1)	9T0636	R713-193	Grip bush	Ø 60 IEC 225S Sn250/355		
308	(1)	9T0600	R713-129	Pulley	Ø140, SPB 17 art. nr. ZA000521		
	(1)	9T0610	R713-197	Pulley	Ø150, SPB 17 art.nr. ZA000522		
	(1)	9T0601	R713-130	Pulley	Ø160, SPB 17 art. nr. 00041172		
	(1)	9T0602	R713-131	Pulley	Ø180, SPB 17 art. nr. 00041175		
	(1)	9T0603	R713-132	Pulley	Ø200, SPB 17 art. nr. ZA000523		
309	(1)	9T0600	R713-129	Pulley	Ø140, SPB 17 art. nr. ZA000521		
	(1)	9T0601	R713-130	Pulley	Ø160, SPB 17 art. nr. 00041172		
	(1)	9T0602	R713-131	Pulley	Ø180, SPB 17 art. nr. 00041175		
	(1)	9T0603	R713-132	Pulley	Ø200, SPB 17 art. nr. ZA000523		
	(1)	9T0604	R713-133	Pulley	Ø224, SPB 17 art.nr. 00041173		
	(1)	9T0605	R713-134	Pulley	Ø250, SPB17 art.nr. 00041174		
	(1)	9T0606	R713-135	Pulley	Ø280, SPB 17 art. nr. 0040888		
	(1)	9T0607	R713-198	Pulley	Ø300, SPB 17 art.nr. 00041171		
	(1)	9T0608	R713-136	Pulley	Ø315, SPB 17 art. nr. ZA000510		
310	(1)	9T0609	R713-137	Pulley	Ø355, SPB 17 art.nr. ZA000509		
	(3)	9T0650	R713-103	V-belt	LW 1600		
	(3)	9T0651	R713-104	V-belt	LW 1700		
	(3)	9T0652	R713-105	V-belt	LW 1800		
	(3)	9T0654	R713-106	V-belt	LW 1900		
311	(3)	9T0653	R713-107	V-belt	LW 2000		
	(2)	706221	R710-393-ST	Mounting plate	IEC100-180	S235JR	
	312	(2)	706219	R710-391-ST	Mounting plate	IEC100-132	S235JR
		(2)	706220	R710-392-ST	Mounting plate	IEC160/180	S235JR
	313	(4)	9B4454	R754-164	Hexagon socket screw	M12x 40	AISI 316
(4)		9B4459	R754-192	Hexagon socket screw	M16x 45	AISI 316	
(4)		9B4462	R754-102	Hexagon socket screw	M16x 30		
314	14	9B1420	R757-090	Tapping screw	5.5x19	Fe galv.	
315	(4)	9B4725	R758-091	Lock washer	(M12)	AISI 316	
	(4)	9B4726	R758-082	Lock washer	(M16)	AISI 316	
	(4)	9B3908	R758-100	Washer	(M20)	AISI 316	
316	(4)	9B3906	R758-102	Washer	(M12)	AISI 316	
	(4)	9B3907	R758-103	Washer	(M16)	AISI 316	
	(4)	9B3908	R758-100	Washer	(M20)	AISI 316	
317	(4)	9B3806	R755-091	Nut	M12	AISI 316	
	(4)	9B3807	R755-093	Nut	M16	AISI 316	
	(4)	9B3808	R755-094	Nut	M20	AISI 316	

Pos	Qty	Part nr	Robot nr	Description	Pattern	Material
318	(4)	9B3110	R753-185	Hexagon-head bolt	M10x 50	AISI 316
	(4)	9B3120	R753-182	Hexagon-head bolt	M12x 55	AISI 316
	(4)		R753-250	Hexagon-head bolt	M16x 90	
319	(4)	9B3805	R755-097	Nut	M10	AISI 316
	(4)	9B3806	R755-091	Nut	M12	AISI 316
	(4)	9B3807	R755-093	Nut	M16	AISI 316
320	(4)	9B3905	R758-097	Washer	(M10)	AISI 316
	(4)	9B3906	R758-102	Washer	(M12)	AISI 316
	(4)	9B3907	R758-103	Washer	(M16)	AISI 316
400	(1)	IEC100L 3.0-4B3	R790-002	Motor	IEC100L 3 kW-4 voet B3	
	(1)	IEC112M 4.0-4B3	R790-003	Motor	IEC112M 4 kW-4 voet B3	
	(1)	IEC132S 5.5-4B3	R790-004	Motor	IEC132S 5.5 kW-4 voet B3	
	(1)	IEC132M 7.5-4B3	R790-005	Motor	IEC132M 7.5 kW-4 voet B3	
	(1)	IEC160M 11.0-4B3	R790-006	Motor	IEC160M 11 kW-4 voet B3	
	(1)	IEC160L 15.0-4B3	R790-007	Motor	IEC160L 15 kW-4 voet B3	
	(1)	IEC160M 18.5-4B3	R790-041	Motor	IEC180M 18.5kW-4 voet B3	
	(1)	IEC160M 22-4B3	R790-042	Motor	IEC180L 22kW-4 voet B3	
	(1)	IEC200L 30-4B3	R790-061	Motor	IEC200L 30kW-4 voet B3	
	(1)	IEC225S 37-4B3	R790-053	Motor	IEC225S 37 kW-4 voet B3	
Option Sparepart kit						
600	1		R506-7003	Spare part kit	BW6032/41 BWP/BNP62	



BW6032-K

