

Basic version

Pos	Qty	Part nr	Robot nr	Description		Pattern	Material
1	1	706211	R703-117-RM	Pump shaft	Ø35/42		AISI 431
5	1	9L0390	R750-057	Ball bearing	6310-2Z		
	(1)	9L1110	R750-101	Ang. contact ball bearing	3310-2Z IEC200/225		
6	1	9L0390	R750-057	Ball bearing	6310-2Z		
7	1	706212	R706-084-RD	Seal sleeve	Ø40/Ø50		AISI 303
8	1	9L6430	R706-216	Seal sleeve	IR40x45x20		
10	1	706204	R704-205-GG	Seal housing	BW6000-H/V	P4008	EN-GJL-250
10.1	(3)	9B3631	R756-121	Grub screw	M 8x 16 bzk		AISI 316
12	1	9D1130	R706-215	Lip seal	BA 45x60x7		
13	1	9D2265	R706-277	Mechanical seal	Ø50 primair		SiC/SiC/NBR
14	2	9D1131	R706-334	Lip seal	OBC 050.065.10-11		
15	1	706213	R707-189-GG	Bearing housing	Ø110 IEC132/180	P4016	EN-GJL-250
16	1	706206	R707-209-GG	Bearing housing cover	IEC132/180	P4001	EN-GJL-250
17	1	706205	R707-198-GG	Bearing housing cover		P4001	EN-GJL-250
18	1	706246	R707-084-ST	Distance ring	IEC100-180		S235JR
32	(1)	9B1720	R709-127	Plug	G 3/8" Nr. 290		Fe galv.
35	1	706234	R716-071-RV	Oil tank			AISI 304
36	1	706210	R716-086	Filling plug			
39	(1)	706235	R716-072	Bracket	-H		S235JR
41	2	706233	R716-043	Coupling	RIK 8x1/4"		CuZn 40
42	2	706233	R716-043	Coupling	RIK 8x1/4"		CuZn 40
43	2	9M5530	R716-031	Pipe	Ø8 L=100mm		Cu
45	(2)	9B4423	R754-141	Hexagon socket screw	M 6 x 20		AISI 316
46	2	9B4423	R754-141	Hexagon socket screw	M 6 x 20		AISI 316
47	2	9B4722	R758-088	Lock washer	(M 6)		AISI 316
48	2	9B3803	R755-077	Nut	M 6		AISI 316
56	1	77256Z	R713-259-RZ	Data plate	Blanco 87x45x1		
58	1	9D1273	R751-002	O-ring	39.69x 3.53		NBR
61	2	706247	R760-147	Gasket	Ø170xØ110x0.5		Klingerseal
66	1	9B1850	R752-006	Circlip	A 50x2		spring steel
67	1	9B1850	R752-006	Circlip	A 50x2		spring steel
68	1	9B1870	R752-033	Circlip	J110x4		spring steel
74	8	9B4454	R754-164	Hexagon socket screw	M12x 40		AISI 316
77	4	9B4451	R754-183	Hexagon socket screw	M12x 25		AISI 316
78	4	9B4451	R754-183	Hexagon socket screw	M12x 25		AISI 316
82	1	9B2332	R756-012	Key	12x 8x50		AISI 316
83	1	9B2318	R756-106	Key	10x 8x50		AISI 316
87	4	9B4202	R757-076	Data plate rivet	2.9x6.5		AISI 316
96	1	9S0033	R906-069	Oil	Shell Tellus 32 2 ltr		
101	1	706202	R701-092-GG	Volute	BW/BWV6000 NW200	P4007	EN-GJL-250
	(1)		R701-244-GG	Volute	BW6000, 8"ANSI 150		
112	1	9B5310	R709-325	Plug	G 3/8"		CuZn 40
113	1	9B5309	R756-107	Plug	G 1/2"		CuZn 40
114	1	706231	R713-175	Seal ring	A 17x23x1.5 plug G3/8"		Cu
115	1	706230	R713-034	Seal ring	A 21x26x1.5 plug G1/2"		Cu

Pos	Qty	Part nr	Robot nr	Description		Pattern	Material
118	1	9D1382	R751-209	O-ring	319.3x 5.7 BW6000		NBR
124	7	9B4455	R754-170	Hexagon socket screw	M12x 45		AISI 316
140	1	W06207	R708-311-NG	Impeller	RW6062/HW6000 Ø35	P4006	EN-GJS-400-15
	(1)		R708-311-NG-3	Impeller	305 RW6062 Ø35		
	(1)		R708-311-NG-2	Impeller	290 RW6062 Ø35		
	(1)		R708-311-NG-2	Impeller	280 RW6062 Ø35		
	(1)		R708-311-NG-2	Impeller	270 RW6062 Ø35		
	(1)		R708-311-NG-2	Impeller	260 RW6062 Ø35		
	(1)		R708-311-NG-2	Impeller	250 RW6062 Ø35		
	(1)		R708-311-NG-2	Impeller	230 RW6062 Ø35		
141	1	706214	R708-073-RZ	Impeller hubcap	Ø39,7x14x22		AISI 316
145	1	9B4455 repl	R754-135	Hexagon socket screw	M12x 45 BW6000		
149	1	9B4725	R758-074	Lock washer	(M12)		
230	1	706217	R710-272-ST	Volute support	H BW6000 BWP60-60 (GP) hh280		S235JR
232	4	9B4451	R754-183	Hexagon socket screw	M12x 25		AISI 316
240	1	706226	R710-411-ST	Bearing housing support	40/60/62 (GP) hh280		S235JR
242	2	9B4451	R754-183	Hexagon socket screw	M12x 25		AISI 316
Supplement frame, motors and v-belt options							
300	(1)	706218	R710-390-ST	Frame	BW-K IEC100/180		S235JR
	(1)	706222	R710-395-ST	Frame	BW-K IEC200/225		S235JR
301	(1)	9T2020	R713-157	Tensioning rail	W600/10 IEC 100/132		
	(1)	9T2021	R713-158	Tensioning rail	G180/12 IEC 160/180		
	(1)	9T2022	R713-180	Tensioning rail	G225/16 IEC200/225		
304.1	2	9T0640	R713-191	Clamping profile	14.5x10		EPDM
304.2	4	706237	R710-451	Mounting plate	Z		S235JR
304	(2)	706229	R710-518	Mounting plate	Z-profiel		S235JR
305	(2)	706215	R710-269	Protecting shield	BW-K IEC100-180		S235JR
	(2)	706223	R710-396	Protecting shield	BW-K IEC200-225		S235JR
306	(1)		R713-138	Grip bush	Ø 28 IEC 100/112 Sn140		
	(1)	9T0628	R713-142	Grip bush	Ø 28 IEC 100/112 Sn150/224		
	(1)	9T0630	R713-140	Grip bush	Ø 38 IEC 132 Sn140		
	(1)	9T0629	R713-144	Grip bush	Ø 38 IEC 132 Sn150/224		
	(1)	9T0635	R713-174	Grip bush	Ø 42 IEC 160 Sn140		
307	(1)	9T0631	R713-145	Grip bush	Ø 42 IEC 160 Sn150/224		
	(1)	9T0634	R713-148	Grip bush	Ø 42 IEC 160 Sn250/355		
	(1)	9T0632	R713-146	Grip bush	Ø 48 IEC 180 Sn150/224		
	(1)	9T0635	R713-174	Grip bush	Ø 42 IEC 160 Sn140		
	(1)	9T0631	R713-145	Grip bush	Ø 42 IEC 160 Sn150/224		
	(1)	9T0634	R713-148	Grip bush	Ø 42 IEC 160 Sn250/355		
	(1)	9T0633	R713-147	Grip bush	Ø 55 IEC 200 Sn150/224		
	(1)	9T0636	R713-193	Grip bush	Ø 60 IEC 225S Sn250/355		
308	(1)	9T0600	R713-129	Pulley	Ø140, SPB 17 art. nr. ZA000521		
	(1)	9T0610	R713-197	Pulley	Ø150, SPB 17 art.nr. ZA000522		
	(1)	9T0601	R713-130	Pulley	Ø160, SPB 17 art. nr. 00041172		
	(1)	9T0602	R713-131	Pulley	Ø180, SPB 17 art. nr. 00041175		
	(1)	9T0603	R713-132	Pulley	Ø200, SPB 17 art. nr. ZA000523		

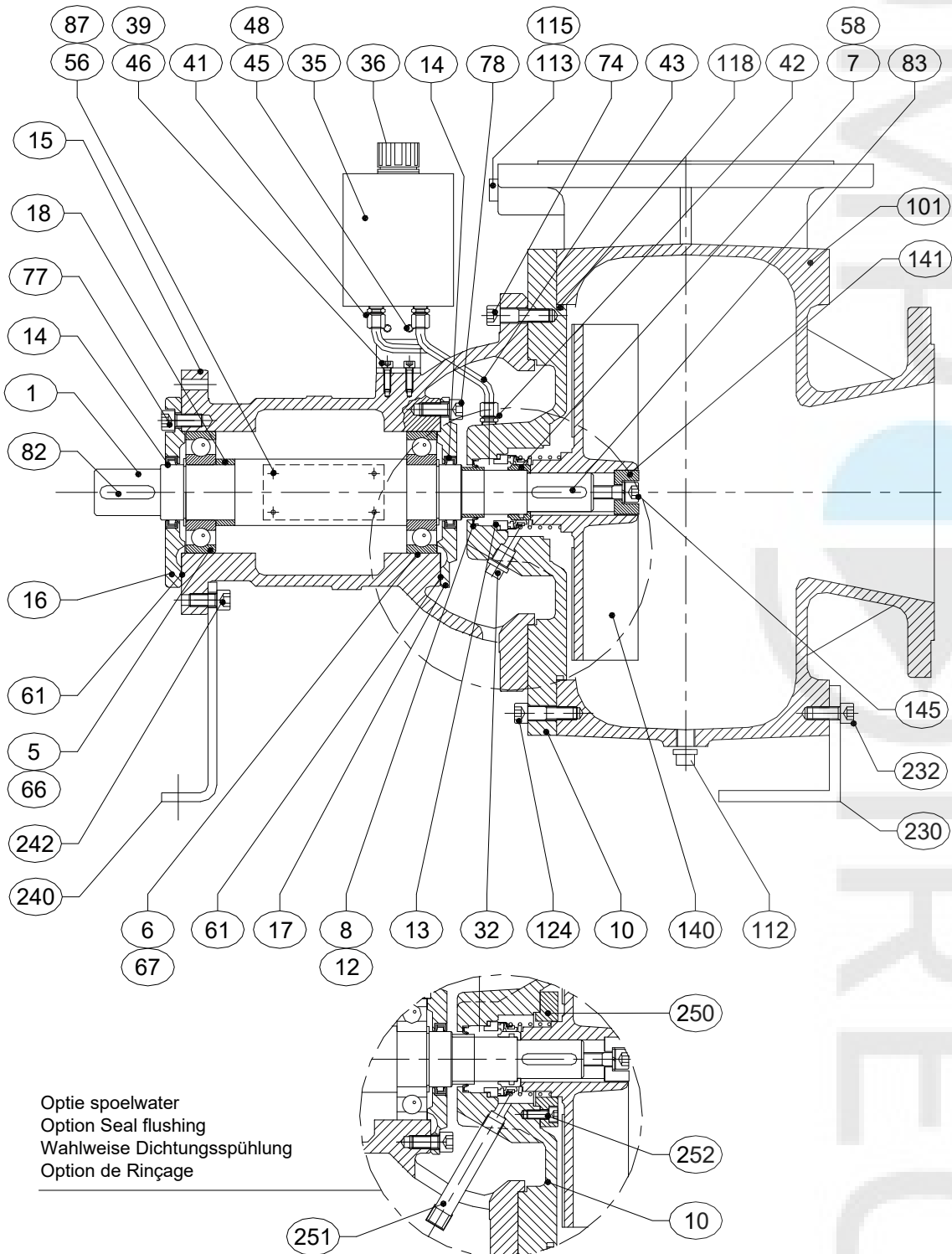
Pos	Qty	Part nr	Robot nr	Description	Pattern	Material
309	(1)	9T0600	R713-129	Pulley	Ø140, SPB 17 art. nr. ZA000521	
	(1)	9T0601	R713-130	Pulley	Ø160, SPB 17 art. nr. 00041172	
	(1)	9T0602	R713-131	Pulley	Ø180, SPB 17 art. nr. 00041175	
	(1)	9T0603	R713-132	Pulley	Ø200, SPB 17 art. nr. ZA000523	
	(1)	9T0604	R713-133	Pulley	Ø224, SPB 17 art.nr. 00041173	
	(1)	9T0605	R713-134	Pulley	Ø250, SPB17 art.nr. 00041174	
	(1)	9T0606	R713-135	Pulley	Ø280, SPB 17 art. nr. 0040888	
	(1)	9T0607	R713-198	Pulley	Ø300, SPB 17 art.nr. 00041171	
	(1)	9T0608	R713-136	Pulley	Ø315, SPB 17 art. nr. ZA000510	
	(1)	9T0609	R713-137	Pulley	Ø355, SPB 17 art.nr. ZA000509	
310	(3)	9T0650	R713-103	V-belt	LW 1600	
	(3)	9T0651	R713-104	V-belt	LW 1700	
	(3)	9T0652	R713-105	V-belt	LW 1800	
	(3)	9T0654	R713-106	V-belt	LW 1900	
	(3)	9T0653	R713-107	V-belt	LW 2000	
311	(2)	706221	R710-393-ST	Mounting plate	IEC100-180	S235JR
312	(2)	706219	R710-391-ST	Mounting plate	IEC100-132	S235JR
	(2)	706220	R710-392-ST	Mounting plate	IEC160/180	S235JR
313	(4)	9B4454	R754-164	Hexagon socket screw	M12x 40	AISI 316
	(4)	9B4459	R754-192	Hexagon socket screw	M16x 45	AISI 316
	(4)	9B4462	R754-102	Hexagon socket screw	M16x 30	
314	14	9B1420	R757-090	Tapping screw	5.5x19	Fe galv.
315	(4)	9B4725	R758-091	Lock washer	(M12)	AISI 316
	(4)	9B4726	R758-082	Lock washer	(M16)	AISI 316
	(4)	9B3908	R758-100	Washer	(M20)	AISI 316
316	(4)	9B3906	R758-102	Washer	(M12)	AISI 316
	(4)	9B3907	R758-103	Washer	(M16)	AISI 316
	(4)	9B3908	R758-100	Washer	(M20)	AISI 316
317	(4)	9B3806	R755-091	Nut	M12	AISI 316
	(4)	9B3807	R755-093	Nut	M16	AISI 316
	(4)	9B3808	R755-094	Nut	M20	AISI 316
318	(4)	9B3110	R753-185	Hexagon-head bolt	M10x 50	AISI 316
	(4)	9B3120	R753-182	Hexagon-head bolt	M12x 55	AISI 316
	(4)		R753-250	Hexagon-head bolt	M16x 90	
319	(4)	9B3805	R755-097	Nut	M10	AISI 316
	(4)	9B3806	R755-091	Nut	M12	AISI 316
	(4)	9B3807	R755-093	Nut	M16	AISI 316
320	(4)	9B3905	R758-097	Washer	(M10)	AISI 316
	(4)	9B3906	R758-102	Washer	(M12)	AISI 316
	(4)	9B3907	R758-103	Washer	(M16)	AISI 316
400	(1)	IEC100L 3.0-4B3	R790-002	Motor	IEC100L 3 kW-4 voet B3	
	(1)	IEC112M 4.0-4B3	R790-003	Motor	IEC112M 4 kW-4 voet B3	
	(1)	IEC132S 5.5-4B3	R790-004	Motor	IEC132S 5.5 kW-4 voet B3	
	(1)	IEC132M 7.5-4B3	R790-005	Motor	IEC132M 7.5 kW-4 voet B3	
	(1)	IEC160M 11.0-4B3	R790-006	Motor	IEC160M 11 kW-4 voet B3	

Pos	Qty	Part nr	Robot nr	Description		Pattern	Material
400	(1)	IEC160L 15.0-4B3	R790-007	Motor	IEC160L 15 kW-4 voet B3		
	(1)	IEC160M 18.5-4B3	R790-041	Motor	IEC180M 18.5kW-4 voet B3		
	(1)	IEC160M 22-4B3	R790-042	Motor	IEC180L 22kW-4 voet B3		
	(1)	IEC200L 30-4B3	R790-061	Motor	IEC200L 30kW-4 voet B3		
	(1)	IEC225S 37-4B3	R790-053	Motor	IEC225S 37 kW-4 voet B3		
Option: seal flushing							
250	1	706209	R711-165-GG	Baffle plate	BW3/4/5/6000	P4005	EN-GJL-250
251	1	706232	R716-029	Pipe nipple	R3/8 x 150		AISI 316
252	3	9B4430	R754-165	Hexagon socket screw	M 8x 20		AISI 316
600	1	77886E	R506-7001	Spare part kit	BW3/5/6000 <= IEC180		
Option Sparepart kit							
600	1	77887E	R506-7002	Spare part kit	BW3/5/6000-HV/K IEC>=200		

BW6000-K

 **ROBOT PUMPS**
By Pompdirect

Dwg : 306 N1
Date : 01-1998
Page : 1/2
By : PZ
Repl. : .



BW6000-K

