

Basic version

Pos	Qty	Part nr	Robot nr	Description		Pattern	Material
1	1	706211	R703-117-RM	Pump shaft	Ø35/42		AIISI 431
5	1	9L0390	R750-057	Ball bearing	6310-2Z		
	(1)	9L1110	R750-101	Ang. contact ball bearing	3310-2Z IEC200/225		
6	1	9L0390	R750-057	Ball bearing	6310-2Z		
7	1	706212	R706-084-RD	Seal sleeve	Ø40/Ø50		AIISI 303
8	1	9L6430	R706-216	Seal sleeve	IR40x45x20		
10	1	706296	R704-178-GG-F	Seal housing	BW3/5000 spoelw/flushing	P4004	EN-GJL-250
12	1	9D1130	R706-215	Lip seal	BA 45x60x7		
13	1	9D2265	R706-277	Mechanical seal	Ø50 primair		SiC/SiC/NBR
14	2	9D1131	R706-334	Lip seal	OBC 050.065.10-11		
15	1	706213	R707-189-GG	Bearing housing	Ø110 IEC132/180	P4016	EN-GJL-250
16	1	706206	R707-209-GG	Bearing housing cover	IEC132/180	P4001	EN-GJL-250
17	1	706205	R707-198-GG	Bearing housing cover		P4001	EN-GJL-250
18	1	706246	R707-084-ST	Distance ring	IEC100-180		S235JR
32	1	9B1720	R709-127	Plug	G 3/8" Nr. 290		Fe galv.
35	1	706234	R716-071-RV	Oil tank			AIISI 304
36	1	706210	R716-086	Filling plug			
	1	9B5320	R756-137	Plug	G 1"		PA 66
39	1	706235	R716-072	Bracket	-H		S235JR
41	2	706233	R716-043	Coupling	RIK 8x1/4"		CuZn 40
42	2	706233	R716-043	Coupling	RIK 8x1/4"		CuZn 40
43	2	9M5530	R716-031	Pipe	Ø8 L=100mm		Cu
45	2	9B4423	R754-141	Hexagon socket screw	M 6 x 20		AIISI 316
46	2	9B4423	R754-141	Hexagon socket screw	M 6 x 20		AIISI 316
47	2	9B4722	R758-088	Lock washer	(M 6)		AIISI 316
48	2	9B3803	R755-077	Nut	M 6		AIISI 316
56	1	77256Z	R713-259-RZ	Data plate	Blanco 87x45x1		
58	1	9D1273	R751-002	O-ring	39.69x 3.53		NBR
61	2	706247	R760-147	Gasket	Ø170xØ110x0.5		Klingerseal
66	1	9B1850	R752-006	Circlip	A 50x2		spring steel
67	1	9B1850	R752-006	Circlip	A 50x2		spring steel
68	1	9B1870	R752-033	Circlip	J110x4		spring steel
74	8	9B4454	R754-164	Hexagon socket screw	M12x 40		AIISI 316
77	4	9B4451	R754-183	Hexagon socket screw	M12x 25		AIISI 316
78	4	9B4451	R754-183	Hexagon socket screw	M12x 25		AIISI 316
82	1	9B2332	R756-012	Key	12x 8x50		AIISI 316
83	1	9B2318	R756-106	Key	10x 8x50		AIISI 316
87	4	9B4202	R757-076	Data plate rivet	2.9x6.5		AIISI 316
96	1	9S0033	R906-069	Oil	Shell Tellus 32 2 ltr		
101	1	706201	R701-071-GG	Volute	BW5000 NW150	P4002	EN-GJL-250
112	1	9B5310	R709-325	Plug	G 3/8"		CuZn 40
113	1	9B5309	R756-107	Plug	G 1/2"		CuZn 40
114	1	706231	R713-175	Seal ring	A 17x23x1.5 plug G3/8"		Cu
115	1	706230	R713-034	Seal ring	A 21x26x1.5 plug G1/2"		Cu
118	1	9D1324	R751-159	O-ring	239.3x 5.7		

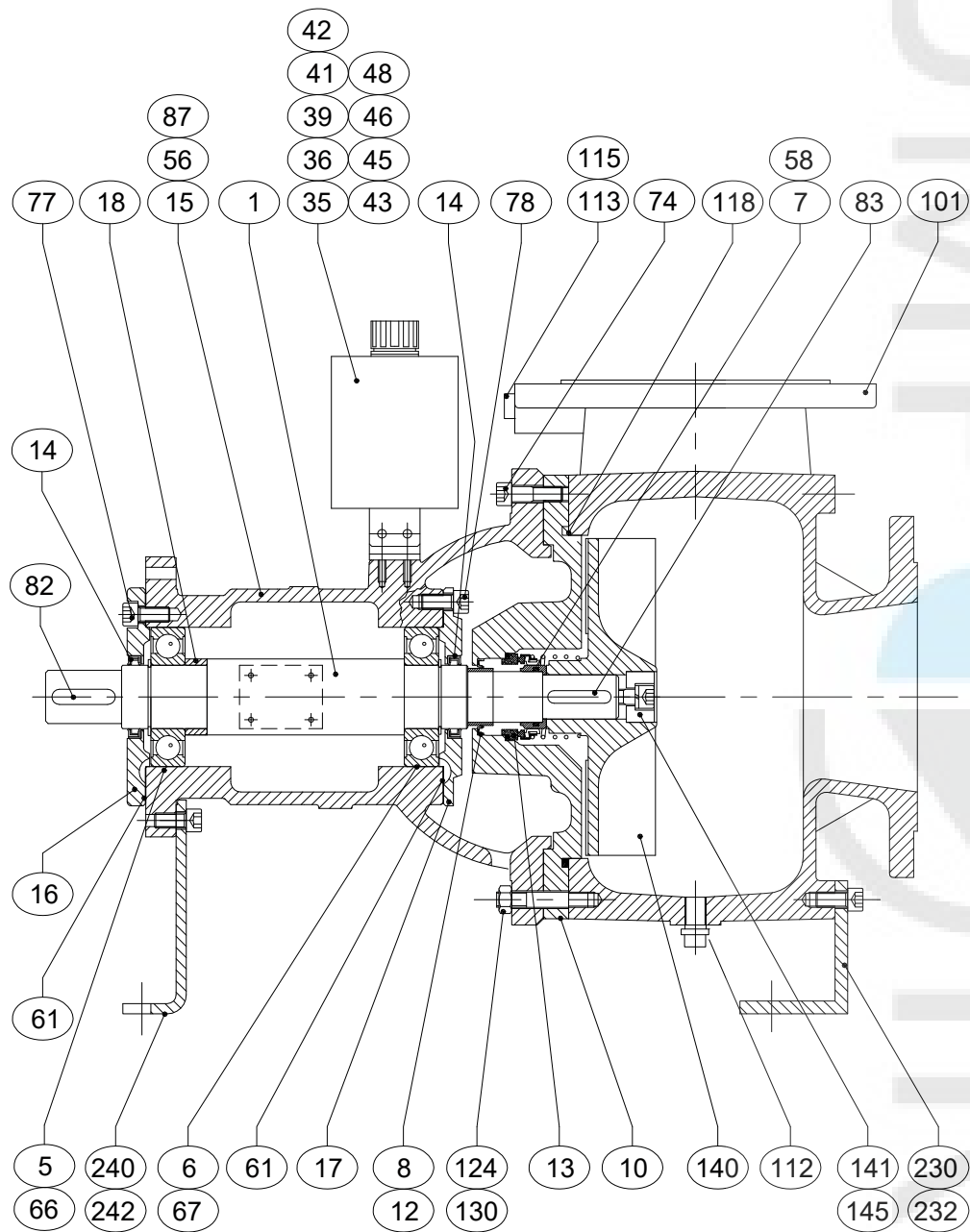
Pos	Qty	Part nr	Robot nr	Description		Pattern	Material
118	(1)	9D1368	R751-176	O-ring	249.3x 5.7		NBR
124	4	9B3719	R753-210	Stud bolt	M12 x 60		AISI 316
130	4	9B3806	R755-091	Nut	M12		AISI 316
133	4	9B3906	R758-102	Washer	(M12)		AISI 316
140	1	W06208	R708-315-GG	Impeller	BW5000 BWP60-50 Ø35	P4000	EN-GJS-400-15
	(1)		R708-315-GG-2	Impeller	253 BW5000 Ø35		
	(1)		R708-315-GG-2	Impeller	237 BW5000 Ø35		
	(1)		R708-315-GG-2	Impeller	218 BW5000 Ø35		
	(1)		R708-315-GG-2	Impeller	202 BW5000 Ø35		
141	1	706214	R708-073-RZ	Impeller hubcap	Ø39,7x14x22		AISI 316
145	1	9B4454 repl	R754-111	Hexagon socket screw	M12x 40		
149	1	9B4725	R758-074	Lock washer	(M12)		
<b>Supplement support horizontal installation</b>							
230	1	706216	R710-271-ST	Volute support	H BW5000 (GP) hh250		S235JR
231	(1)	706224	R710-402-ST	Volute support	-2 BW BWP		S235JR
232	3	9B4451 repl	R754-112	Hexagon socket screw	M12x 25		
233	(2)	9B4461	R754-132	Hexagon socket screw	M16x 35		AISI 316
234	(2)	9B3907 repl	R758-084	Washer	(M16)		
235	(2)	9B3807 repl	R755-086	Nut	M16		
240	1	706227	R710-415-ST	Bearing housing support	B40/60/62 hh250		S235JR
	(1)	706238	R710-416-ST	Bearing housing support	40/60 (GP) hh250		S235JR
242	2	9B4452 repl	R754-099	Hexagon socket screw	M12x 30		
<b>Supplement Found. plate, coupling and motor IEC160/180</b>							
304	(1)	9T0703	R710-336	Coupling	J-Flex Spacer 150-IEC160M Ø 42/42		
	(1)	9T0700	R710-337	Coupling	J-Flex Spacer 190-IEC160L Ø 42/42		
	(1)	9T0707	R710-338	Coupling	J-Flex Spacer 225-IEC180M+L Ø 42/48		
305	1	706293	R710-281-ST	Foundation plate	1400x625x110		S235JR
309	1	706295	R710-436-ST	Protecting hood	BW40/60/ BT40/60 L=355 IEC160/200		S235JR
310	8	9B3906	R758-102	Washer	(M12)		AISI 316
312	4	9B3057	R753-152	Hexagon-head bolt	M12x 50		AISI 316
313	4	9B3806	R755-091	Nut	M12		AISI 316
314	1	9B4496	R754-199	Hexagon socket screw	M12x 60		AISI 316
400	(1)	IEC160M 7.5-6B3	R790-048	Motor	IEC160M 7.5kW-6 voet B3		
	(1)	IEC160M 11.0-4B3	R790-006	Motor	IEC160M 11 kW-4 voet B3		
	(1)	IEC160L 15.0-4B3	R790-007	Motor	IEC160L 15 kW-4 voet B3		
	(1)	IEC160M 18.5-4B3	R790-041	Motor	IEC180M 18.5kW-4 voet B3		
	(1)	IEC160M 22-4B3	R790-042	Motor	IEC180L 22kW-4 voet B3		
401	(2)	76215S	R710-287-ST	Motor support	IEC160 hh250		S235JR
401	(2)		R710-290-ST	Motor support	IEC180 hh250		

Pos	Qty	Part nr	Robot nr	Description	Pattern	Material
<b>Supplement Found. plate, coupling and motor IEC200</b>						
304	1	9T0701	R710-345	Coupling	J-Flex Spacer 225-IEC200/225-2 Ø 55/42	
	(1)	9T0709	R710-445	Coupling	J-Flex225-IEC225-4/6/IEC250-2 Ø 60/42	
305	1	706323	R710-282-ST	Foundation plate	1600x675x110	S235JR
309	1	706295	R710-436-ST	Protecting hood	BW40/60/ BT40/60 L=355 IEC160/200	S235JR
	(1)	76351S	R710-469-ST	Protecting hood	BW40/60/ BT40/60 IEC225/250	S235JR
310	8	9B3907	R758-103	Washer	(M16)	AISI 316
312	4	9B3130	R753-230	Hexagon-head bolt	M16x 65	AISI 316
313	4	9B3807	R755-093	Nut	M16	AISI 316
314	1	9B4496	R754-199	Hexagon socket screw	M12x 60	AISI 316
400	(1)	IEC200L 18.5-6B3	R790-080	Motor	IEC200L 18.5 kW-6 voet B3	
	(1)	IEC200L 30-4B3	R790-061	Motor	IEC200L 30kW-4 voet B3	
	(1)	IEC225M 45-4B3	R790-060	Motor	IEC225M 45 KW-4 voet B3	
401	(2)	76507S	R710-293-ST	Motor support	IEC200 hh250	S235JR
<b>Option: seal flushing</b>						
250	1	706209	R711-165-GG	Baffle plate	BW3/4/5/6000	P4005 EN-GJL-250
251	1	706232	R716-029	Pipe nipple	R3/8 x 150	AISI 316
252	3	9B4430	R754-165	Hexagon socket screw	M 8x 20	AISI 316
<b>Option Sparepart kit</b>						
600	1	77886E	R506-7001	Spare part kit	BW3/5/6000 <= IEC180	
<b>Option Sparepart kit</b>						
600	1	77887E	R506-7002	Spare part kit	BW3/5/6000-HV/K IEC>=200	

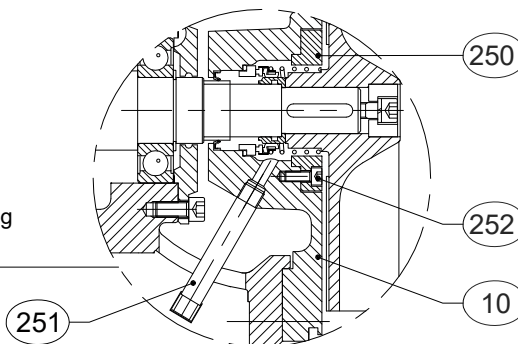
**BW3000-H(M)**  
**BW5000-H(M)**

 **ROBOT PUMPS**  
 By Pompdirect

Dwg : 116 N2  
 Date : 08-1997  
 Page : 1/2  
 By : PZ  
 Repl. : .



Optie spoelwater  
 Option Seal flushing  
 Wahlweise Dichtungsspülung  
 Option de Rinçage



**BW3000-H(M)**  
**BW5000-H(M)**

