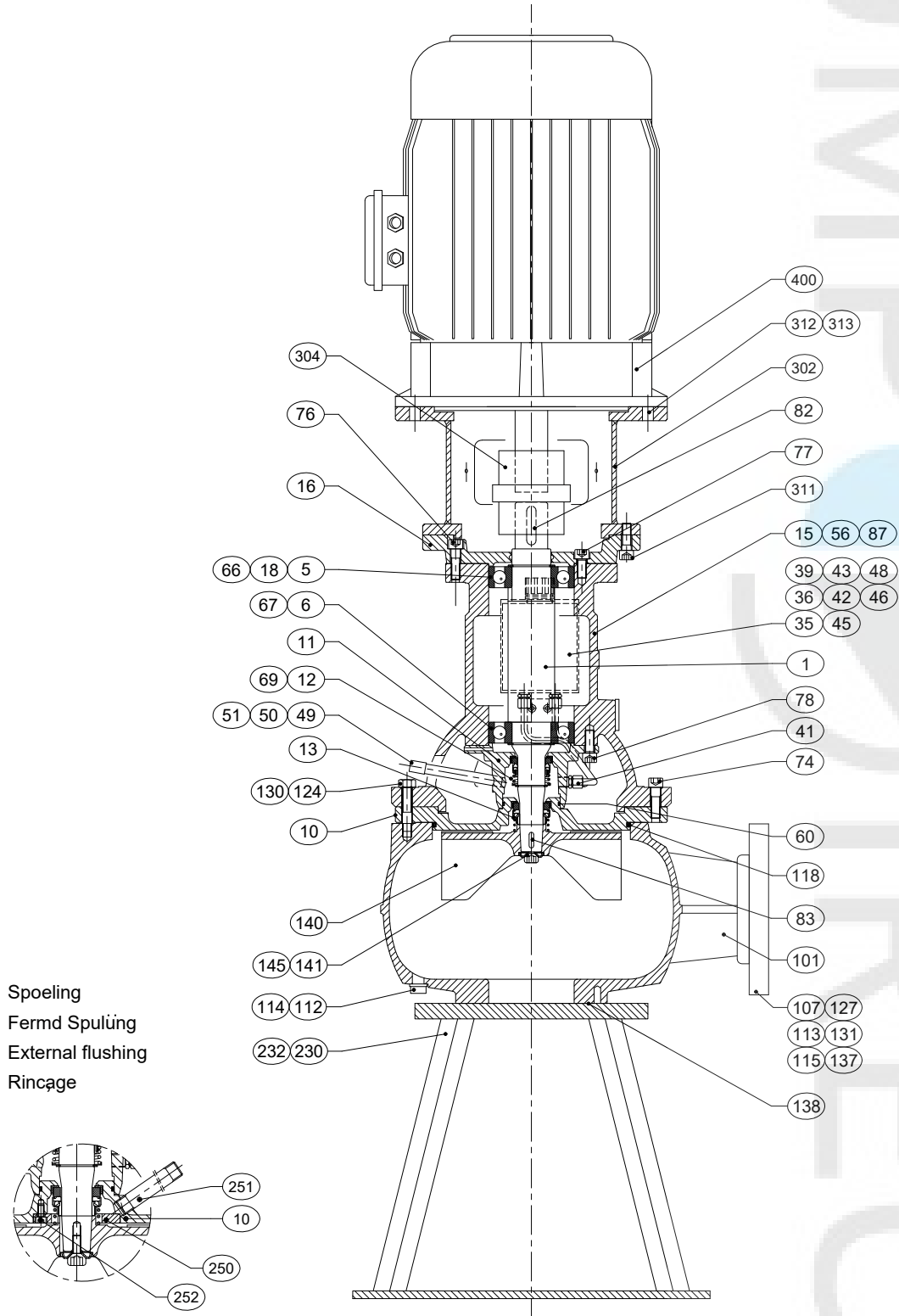


Basic version

Pos	Qty	Part nr	Robot nr	Description		Pattern	Material
1	1	706255	R703-351-RM	Pump shaft	BWP42		AISI 304
5	1	9L0390	R750-057	Ball bearing	6310-2Z		
6	1	9L0390	R750-057	Ball bearing	6310-2Z		
10	1	706256	R704-188-GG	Seal housing	BW/BD40 BWP/BNP42	P4011	EN-GJL-250
11	1	706257	R704-192-GG	Seal housing	-2 BW40	P4012	EN-GJL-250
12	1	9D2266	R706-314	Mechanical seal	Ø35 NBR/ceramic/SiC/1.457		Carb/ceramic/NB
13	1	9D2267	R706-318	Mechanical seal	Ø30 NBR / SiC / 1.4571		SiC/SiC/NBR
15	1	706213	R707-189-GG	Bearing housing	Ø110 IEC132/180	P4016	EN-GJL-250
16	1	76163G	R707-199-GG	Bearing housing cover	-V	P436G	EN-GJL-250
18	1	706246	R707-084-ST	Distance ring	IEC100-180		S235JR
35	1	706234	R716-071-RV	Oil tank			AISI 304
36	1	706210	R716-086	Filling plug			
39	1	76368V	R716-089-ST	Bracket	-V < IEC 200		RVS 304
41	2	706233	R716-043	Coupling	RIK 8x1/4"		CuZn 40
42	2	706233	R716-043	Coupling	RIK 8x1/4"		CuZn 40
43	2	9M5530	R716-031	Pipe	Ø8 L=100mm		Cu
45	2	9B4423	R754-141	Hexagon socket screw	M 6 x 20		AISI 316
46	2	9B4423	R754-141	Hexagon socket screw	M 6 x 20		AISI 316
47	2	9B4722	R758-088	Lock washer	(M 6)		AISI 316
48	2	9B3803	R755-077	Nut	M 6		AISI 316
49	1	706280	R716-091	Pipe nipple	R1/4"x100		Fe galv.
50	1	9F2502	R716-092	Socket	R1/4"		Fe galv.
51	1	9B5420	R756-139	Plug	R 1/4"		AISI 316
56	1	77256Z	R713-259-RZ	Data plate	Blanco 87x45x1		
60	1	9D1320	R751-207	O-ring	66x 3.00		NBR
66	1	9B1850	R752-006	Circlip	A 50x2		spring steel
67	1	9B1850	R752-006	Circlip	A 50x2		spring steel
68	1	9B1870	R752-033	Circlip	J110x4		spring steel
69	1	9B1835	R752-004	Circlip	A 35x1.5		spring steel
74	8	9B4454	R754-164	Hexagon socket screw	M12x 40		AISI 316
76	4	9B4454	R754-164	Hexagon socket screw	M12x 40		AISI 316
77	4	9B4451	R754-183	Hexagon socket screw	M12x 25		AISI 316
78	4	9B4451	R754-183	Hexagon socket screw	M12x 25		AISI 316
82	1	9B2332	R756-012	Key	12x 8x50		AISI 316
83	1	9B2305	R756-101	Key	6 x 6x20		AISI 316
87	4	9B4202	R757-076	Data plate rivet	2.9x6.5		AISI 316
101	1	76101G	R701-214-GG	Volute	RW4041 RWP/BWP42-41	P476G	EN-GJL-250
107	1	706279	R712-161-ST	Reducer flange	R100-NW100		S235JR
	(1)		R712-214-ST	Reducer flange	R100-4" ANSI 150		
112	1	9B5310	R709-325	Plug	G 3/8"		CuZn 40
113	1	9B5310	R709-325	Plug	G 3/8"		CuZn 40
114	1	706231	R713-175	Seal ring	A 17x23x1.5 plug G3/8"		Cu
115	1	706231	R713-175	Seal ring	A 17x23x1.5 plug G3/8"		Cu
118	1	9D1368	R751-176	O-ring	249.3x 5.7		NBR
124	4	9B3719	R753-210	Stud bolt	M12 x 60		AISI 316

Pos	Qty	Part nr	Robot nr	Description		Pattern	Material
128	4	9B4455	R754-170	Hexagon socket screw	M12x 45		AISI 316
130	4	9B3806	R755-091	Nut	M12		AISI 316
131	4	9B3806	R755-091	Nut	M12		AISI 316
133	4	9B3906	R758-102	Washer	(M12)		AISI 316
137	1	706282	R761-002	Gasket	140xØ105x2		CR
138	1	706304	R760-139	Gasket	Ø190xØ125x3		CR
140	1	W06260	R708-365-NG	Impeller	RW4041/BW20/4041 con30	P4009	EN-GJS-400-15
	(1)		R708-365-NG-2	Impeller	252 RW/BW4041 con30		
	(1)		R708-365-NG-2	Impeller	245 RW/BW4041 con30		
	(1)		R708-365-NG-2	Impeller	235 RW/BW4041 con30		
	(1)		R708-365-NG-2	Impeller	232 RW/BW4041 con30		
	(1)		R708-365-NG-2	Impeller	230 RW/BW4041 con30		
	(1)		R708-365-NG-2	Impeller	225 RW/BW4041 con30		
	(1)		R708-365-NG-2	Impeller	220 RW/BW4041 con30		
	(1)		R708-365-NG-2	Impeller	210 RW/BW4041 con30		
	(1)		R708-365-NG-2	Impeller	205 RW/BW4041 con30		
	(1)		R708-365-NG-2	Impeller	200 RW/BW4041 con30		
	(1)		R708-365-NG-1	Impeller	180 RW/BW4041 con30		
141	1	706261	R713-226-RU	Impeller hubcap	ø30xø9x4		AISI 329
145	1	706292	R754-117	Hex. sock. screw counter sunk.	M 8x 20		AISI 316
<b>Supplement support vertical installation</b>							
230	1	76321T	R715-093-ST	Support	V NW125		Fe galv
232	6	9B4441	R754-153	Hexagon socket screw	M10x 25		AISI 316
<b>Supplement support, coupling and motors IEC132</b>							
302	1	706316	R700-091-GG	Support	IEC132, -V	P4027	EN-GJL-250
304	1	9T0705	R710-368	Coupling	J-Flex Swift Spider 110-IEC132 Ø 42/38		
310	4	9B3906	R758-102	Washer	(M12)		AISI 316
311	4	9B4453	R754-182	Hexagon socket screw	M12x 35		AISI 316
313	4	9B3715	R753-222	Stud bolt	M12 x 30		AISI 316
314	4	9B3806	R755-091	Nut	M12		AISI 316
330	2	706278	R710-494-ST	Protecting shield	BW, BT VK8/St10		Fe galv.
331	4	9B4420	R754-184	Hexagon socket screw	M 6 x 12		AISI 316
400	(1)	IEC132S 5.5-4B5	R790-017	Motor	IEC132S 5.5 kW-4 Flens B5		
	(1)	IEC132M 7.5-4B5	R790-018	Motor	IEC132M 7.5 kW-4 Flens B5		
	(1)	IEC132M 4.0-6B5	R790-104	Motor	IEC132M 4 kW-6 Flens B5		
<b>Supplement support, coupling and motors IEC160</b>							
302	1	76346G	R700-092-GG	Support	IEC160/180, -V opst	P4026	EN-GJL-250
304	(1)	9T0711	R710-322	Coupling	J-Flex Swift Spider 150- IEC160M Ø 42/42		
	(1)	9T0712	R710-323	Coupling	J-Flex Swift Spider 190- IEC160L Ø 42/42		
310	4	9B3907	R758-103	Washer	(M16)		AISI 316
311	4	9B4453	R754-182	Hexagon socket screw	M12x 35		AISI 316
313	4	9B3735	R753-144	Stud bolt	M16x 40		AISI 316
314	4	9B3807	R755-093	Nut	M16		AISI 316
330	2	706278	R710-494-ST	Protecting shield	BW, BT VK8/St10		Fe galv.
331	4	9B4420	R754-184	Hexagon socket screw	M 6 x 12		AISI 316

Pos	Qty	Part nr	Robot nr	Description		Pattern	Material
400	(1)	IEC160M 11-4V1	R790-019	Motor		IEC160M 11 kW-4 Flens V1	
	(1)	IEC160L 15-4V1	R790-020	Motor		IEC160L 15 kW-4 Flens V1	
<b>Option: seal flushing</b>							
10	1	76238G	R704-188-GG-F	Seal housing		BW/BD40 spoelw/flush	P4011 EN-GJL-250
250	1	76239Z	R711-175-RZ	Baffle plate		BW40/BT20/4040	AISI 316
251	1	706232	R716-029	Pipe nipple		R3/8 x 150	AISI 316
252	3	9B4420	R754-184	Hexagon socket screw		M 6 x 12	AISI 316
<b>Option Sparepart kit</b>							
600	1	77884E	R506-7000	Spare part kit		BW40-H/V/K BWP/BNP42	



Spoeling  
Fermd Spulúing  
External flushing  
Rincage