

Basic version

| Pos | Qty | Part nr | Robot nr | Description | | Pattern | Material |
|------|-----|----------------|-------------|----------------------|---------------------------|---------|-----------------|
| 10 | 1 | 706256 | R704-188-GG | Seal housing | BW/BD40 BWP/BNP42 | P4011 | EN-GJL-250 |
| 11 | 1 | 76132G | R704-202-GG | Seal housing | BW40/BD40 BWP/BNP42 -2 | P4025 | EN-GJL-250 |
| 12 | 1 | 9D2266 | R706-314 | Mechanical seal | Ø35 NBR/ceramic/SiC/1.457 | | Carb/ceramic/NB |
| 13 | 1 | 9D2267 | R706-318 | Mechanical seal | Ø30 NBR / SiC / 1.4571 | | SiC/SiC/NBR |
| 35 | 1 | 706234 | R716-071-RV | Oil tank | | | AISI 304 |
| 36 | 1 | 706210 | R716-086 | Filling plug | | | |
| 39 | (1) | 706288 | R716-066 | Support | BW HS | | S235JR |
| | (1) | 706289 | R716-067-ST | Support | BW-VS | | S235JR |
| 41 | 2 | 706233 | R716-043 | Coupling | RIK 8x1/4" | | CuZn 40 |
| 42 | 2 | 706233 | R716-043 | Coupling | RIK 8x1/4" | | CuZn 40 |
| 43 | 2 | 9M5530 | R716-031 | Pipe | Ø8 L=100mm | | Cu |
| 45.1 | (1) | 9B4451 repl | R754-112 | Hexagon socket screw | M12x 25 | | |
| 45.2 | (1) | 9B3057 | R753-152 | Hexagon-head bolt | M12x 50 | | AISI 316 |
| 45.3 | (1) | 9B3806 repl | R755-083 | Nut | M12 | | |
| 46 | 2 | 9B4423 repl | R754-082 | Hexagon socket screw | M 6 x 20 | | |
| 47 | 2 | 9B4722 repl | R758-079 | Lock washer | (M 6) | | |
| 48 | 2 | 9B3803 repl | R755-032 | Nut | M 6 | | |
| 49 | 1 | 706280 | R716-091 | Pipe nipple | R1/4"x100 | | Fe galv. |
| 50 | 1 | 9F2502 | R716-092 | Socket | R1/4" | | Fe galv. |
| 51 | 1 | 9B5420 | R756-139 | Plug | R 1/4" | | AISI 316 |
| 56 | 1 | 706200 | R713-177-RZ | Data plate | BW/BT/BD BWP/BNP | | AISI 316 |
| 60 | 1 | 9D1320 | R751-207 | O-ring | 66x 3.00 | | NBR |
| 69 | 1 | 9B1835 | R752-004 | Circlip | A 35x1.5 | | spring steel |
| 74 | 8 | 9B4453 repl | R754-080 | Hexagon socket screw | M12x 35 | | |
| 78 | 4 | 9B0523 | R754-028 | Hexagon socket screw | M 8x 16 | | AISI 316 |
| 83 | 1 | 9B2305 | R756-101 | Key | 6 x 6x20 | | AISI 316 |
| 87 | 4 | 9B4202 | R757-076 | Data plate rivet | 2.9x6.5 | | AISI 316 |
| 101 | 1 | 76101G | R701-214-GG | Volute | RW4041 RWP/BWP42-41 | P476G | EN-GJL-250 |
| 107 | 1 | 706279 | R712-161-ST | Reducer flange | R100-NW100 | | S235JR |
| | (1) | | R712-214-ST | Reducer flange | R100-4" ANSI 150 | | |
| 112 | 1 | 9B5310 | R709-325 | Plug | G 3/8" | | CuZn 40 |
| 113 | 1 | 9B5310 | R709-325 | Plug | G 3/8" | | CuZn 40 |
| 114 | 1 | 706231 | R713-175 | Seal ring | A 17x23x1.5 plug G3/8" | | Cu |
| 115 | 1 | 706231 | R713-175 | Seal ring | A 17x23x1.5 plug G3/8" | | Cu |
| 118 | 1 | 9D1368 | R751-176 | O-ring | 249.3x 5.7 | | NBR |
| 124 | 4 | 9B3719 | R753-210 | Stud bolt | M12 x 60 | | AISI 316 |
| 128 | 4 | 9B4455 | R754-170 | Hexagon socket screw | M12x 45 | | AISI 316 |
| 130 | 4 | 9B3806 | R755-091 | Nut | M12 | | AISI 316 |
| 131 | 4 | 9B3806 | R755-091 | Nut | M12 | | AISI 316 |
| 133 | 4 | 9B3906 | R758-102 | Washer | (M12) | | AISI 316 |
| 137 | 1 | 706282 | R761-002 | Gasket | 140xØ105x2 | | CR |
| 138 | 1 | 706304 | R760-139 | Gasket | Ø190xØ125x3 | | CR |

| Pos | Qty | Part nr | Robot nr | Description | | Pattern | Material |
|-----|-----|---------|---------------|--------------------------------|------------------------|---------|---------------|
| 140 | 1 | W06260 | R708-365-NG | Impeller | RW4041/BW20/4041 con30 | P4009 | EN-GJS-400-15 |
| | (1) | | R708-365-NG-2 | Impeller | 252 RW/BW4041 con30 | | |
| | (1) | | R708-365-NG-2 | Impeller | 245 RW/BW4041 con30 | | |
| | (1) | | R708-365-NG-2 | Impeller | 235 RW/BW4041 con30 | | |
| | (1) | | R708-365-NG-2 | Impeller | 232 RW/BW4041 con30 | | |
| | (1) | | R708-365-NG-2 | Impeller | 230 RW/BW4041 con30 | | |
| | (1) | | R708-365-NG-2 | Impeller | 225 RW/BW4041 con30 | | |
| | (1) | | R708-365-NG-2 | Impeller | 220 RW/BW4041 con30 | | |
| | (1) | | R708-365-NG-2 | Impeller | 210 RW/BW4041 con30 | | |
| | (1) | | R708-365-NG-2 | Impeller | 205 RW/BW4041 con30 | | |
| | (1) | | R708-365-NG-2 | Impeller | 200 RW/BW4041 con30 | | |
| | (1) | | R708-365-NG-1 | Impeller | 180 RW/BW4041 con30 | | |
| 141 | 1 | 706261 | R713-226-RU | Impeller hubcap | ø30xø9x4 | | AISI 329 |
| 145 | 1 | 706292 | R754-117 | Hex. sock. screw counter sunk. | M 8x 20 | | AISI 316 |

Supplement support, shaft and motor IEC132

| | | | | | | | |
|-----|-----|--------------------|-------------|----------------------|---------------------------|-------|------------|
| 300 | 1 | 76288V | R703-406-RM | Pump shaft extension | IEC132 BW40-S con30/Ø38 | | AISI 304 |
| 302 | 1 | 706315 | R700-215-GG | Support | IEC 132 BW40-S | P4026 | EN-GJL-250 |
| 310 | 4 | 9B3906 | R758-102 | Washer | (M12) | | AISI 316 |
| 313 | 4 | 9B3716 | R753-158 | Stud bolt | M12 x 35 | | AISI 316 |
| 314 | 4 | 9B3806 | R755-091 | Nut | M12 | | AISI 316 |
| 315 | 1 | 9B4428 | R754-197 | Hexagon socket screw | M 8x 12 | | AISI 316 |
| 330 | 2 | 706278 | R710-494-ST | Protecting shield | BW, BT VK8/St10 | | Fe galv. |
| 331 | 4 | 9B4420 | R754-184 | Hexagon socket screw | M 6 x 12 | | AISI 316 |
| 400 | (1) | IEC132S 5.5-4B5 | R790-030 | Motor | IEC132S 5.5 kW-4 Flens B5 | | |
| | (1) | IEC132M 7.5-4B5 | R790-031 | Motor | IEC132M 7.5 kW-4 Flens B5 | | |
| | (1) | IEC132S 5.5-4B5 | R790-017 | Motor | IEC132S 5.5 kW-4 Flens B5 | | |
| | (1) | IEC132M 7.5-4B5 | R790-018 | Motor | IEC132M 7.5 kW-4 Flens B5 | | |

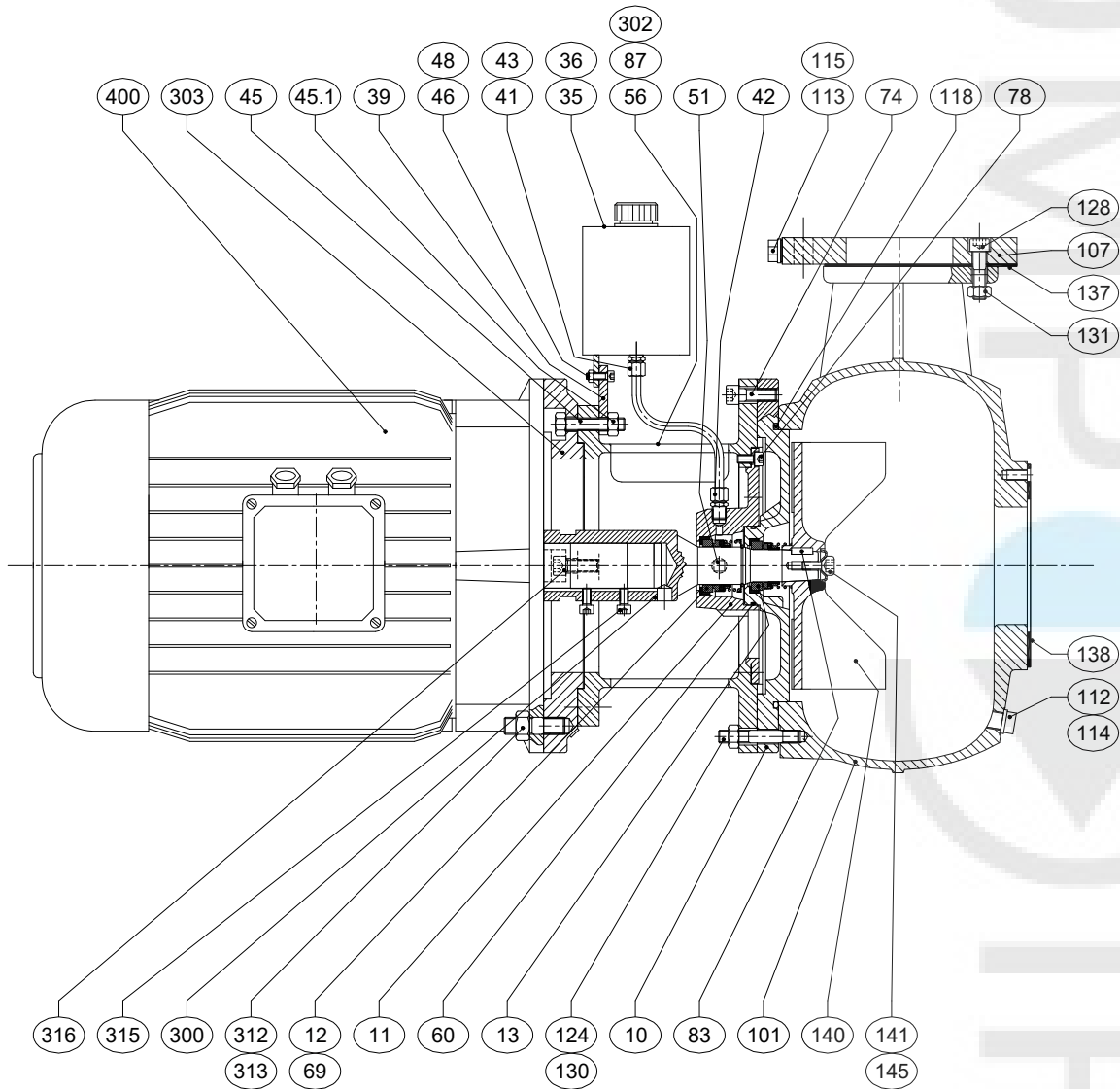
Supplement support, coupling and motors IEC160

| | | | | | | | |
|-------|-----|---------------------|-------------|----------------------|--------------------------|-------|------------|
| 300 | 1 | 76096V | R703-355-RM | Pump shaft extension | IEC160 con30/Ø42 | | AISI 304 |
| 302 | 1 | 706315 | R700-215-GG | Support | IEC 132 BW40-S | P4026 | EN-GJL-250 |
| 303 | 1 | 706313 | R700-194-GG | Reducer flange | IEC 160/180 | P4024 | EN-GJL-250 |
| 310 | 4 | 9B3907 | R758-103 | Washer | (M16) | | AISI 316 |
| 313 | 4 | 9B3716 | R753-158 | Stud bolt | M12 x 35 | | AISI 316 |
| 314 | 4 | 9B3807 | R755-093 | Nut | M16 | | AISI 316 |
| 315 | 2 | 9B4428 | R754-197 | Hexagon socket screw | M 8x 12 | | AISI 316 |
| 316.1 | (2) | 9B4451 | R754-183 | Hexagon socket screw | M12x 25 | | AISI 316 |
| 316.2 | (3) | 9B4451 | R754-183 | Hexagon socket screw | M12x 25 | | AISI 316 |
| 330 | 2 | 706278 | R710-494-ST | Protecting shield | BW, BT VK8/St10 | | Fe galv. |
| 331 | 4 | 9B4420 | R754-184 | Hexagon socket screw | M 6 x 12 | | AISI 316 |
| 400 | (1) | IEC160M 11.0-4B5 | R790-032 | Motor | IEC160M 11kW-4 Flens B5 | | |
| | (1) | IEC160L 15.0-4B5 | R790-033 | Motor | IEC160L 15 kW-4 Flens B5 | | |
| | (1) | IEC160M 11-4V1 | R790-019 | Motor | IEC160M 11 kW-4 Flens V1 | | |
| | (1) | IEC160L 15-4V1 | R790-020 | Motor | IEC160L 15 kW-4 Flens V1 | | |

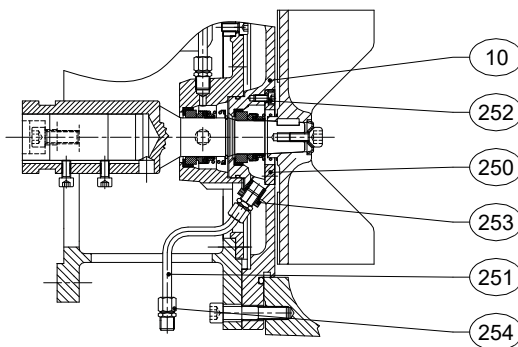
| Pos | Qty | Part nr | Robot nr | Description | | Pattern | Material |
|---|-----|---------|---------------|----------------------|----------------|--------------|------------------|
| Supplement support hor. installation IEC132 | | | | | | | |
| 230 | 1 | 706310 | R710-399-ST | Volute support | H BW | NW125 hh225 | S235JR |
| 231 | 1 | 706224 | R710-402-ST | Volute support | -2 BW | BWP | S235JR |
| 232 | 6 | 9B4441 | R754-153 | Hexagon socket screw | M10x | 25 | AISI 316 |
| 233 | 2 | 9B4462 | R754-215 | Hexagon socket screw | M16x | 30 | AISI 316 |
| 234 | 2 | 9B3907 | R758-103 | Washer | (M16) | | AISI 316 |
| 235 | 2 | 9B3807 | R755-093 | Nut | M16 | | AISI 316 |
| 240 | 1 | 706275 | R710-385-ST | Support | IEC132/160/180 | hh225 | S235JR |
| 242 | 3 | 9B4451 | R754-183 | Hexagon socket screw | M12x | 25 | AISI 316 |
| Supplement: Support hor. installation IEC160/180 | | | | | | | |
| 230 | 1 | 706310 | R710-399-ST | Volute support | H BW | NW125 hh225 | S235JR |
| 231 | 1 | 706224 | R710-402-ST | Volute support | -2 BW | BWP | S235JR |
| 232 | 6 | 9B4441 | R754-153 | Hexagon socket screw | M10x | 25 | AISI 316 |
| 233 | 2 | 9B4462 | R754-215 | Hexagon socket screw | M16x | 30 | AISI 316 |
| 234 | 2 | 9B3907 | R758-103 | Washer | (M16) | | AISI 316 |
| 235 | 2 | 9B3807 | R755-093 | Nut | M16 | | AISI 316 |
| 240 | 1 | 706275 | R710-385-ST | Support | IEC132/160/180 | hh225 | S235JR |
| 242 | 2 | 9B4451 | R754-183 | Hexagon socket screw | M12x | 25 | AISI 316 |
| 304 | 1 | 9B3057 | R753-152 | Hexagon-head bolt | M12x | 50 | AISI 316 |
| 305 | 1 | 9B3806 | R755-091 | Nut | M12 | | AISI 316 |
| Supplement support vertical installation | | | | | | | |
| 230 | 1 | 76321T | R715-093-ST | Support | V | NW125 | Fe galv |
| 232 | 6 | 9B4441 | R754-153 | Hexagon socket screw | M10x | 25 | AISI 316 |
| Option: seal flushing | | | | | | | |
| 10 | 1 | 76238G | R704-188-GG-F | Seal housing | BW/BD40 | spoelw/flush | P4011 EN-GJL-250 |
| 250 | 1 | 76239Z | R711-175-RZ | Baffle plate | BW40/BT20/4040 | | AISI 316 |
| 251 | 1 | 9M5530 | R716-031 | Pipe | Ø8 | L=100mm | Cu |
| 252 | 3 | 9B4420 | R754-184 | Hexagon socket screw | M 6 x | 12 | AISI 316 |
| 253 | 1 | 9F0353 | R716-093 | Reducer | R3/8"-R1/4" | bu/bi | Fe galv. |
| 254 | 2 | 706233 | R716-043 | Coupling | RIK 8x1/4" | | CuZn 40 |
| 255 | 1 | 9F2502 | R716-092 | Socket | R1/4" | | Fe galv. |
| Option Sparepart kit | | | | | | | |
| 600 | 1 | 77884E | R506-7000 | Spare part kit | BW40-H/V/K | BWP/BNP42 | |

BW4041-S

Dwg : 530 N1
Date : 08-1999
Page : 1/2
By : PH
Repl. : .

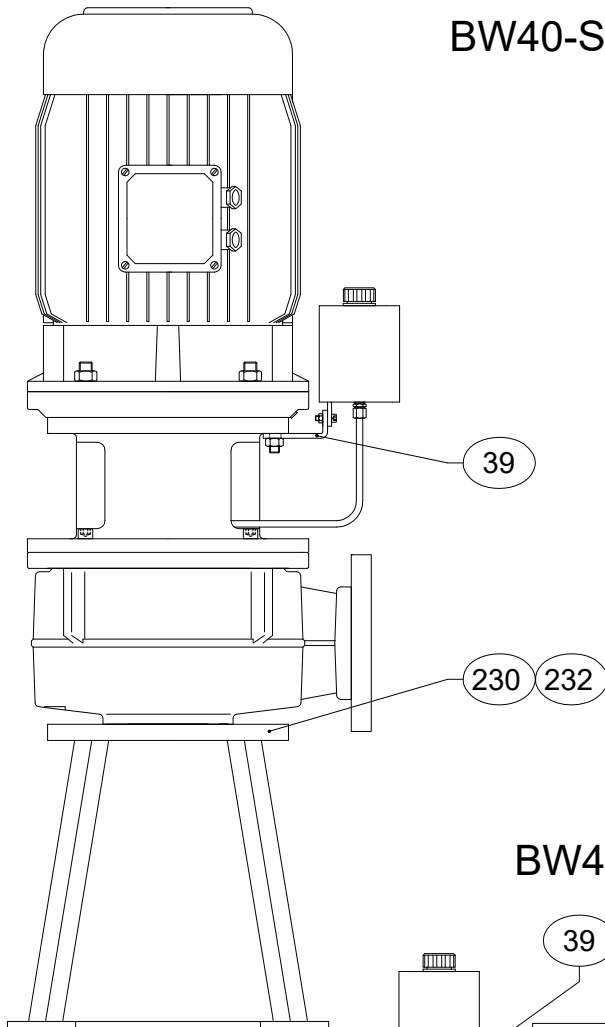


Spiegelwateraansluiting
Seal flushing



BW4041-S

BW40-SV



BW40-SH

