

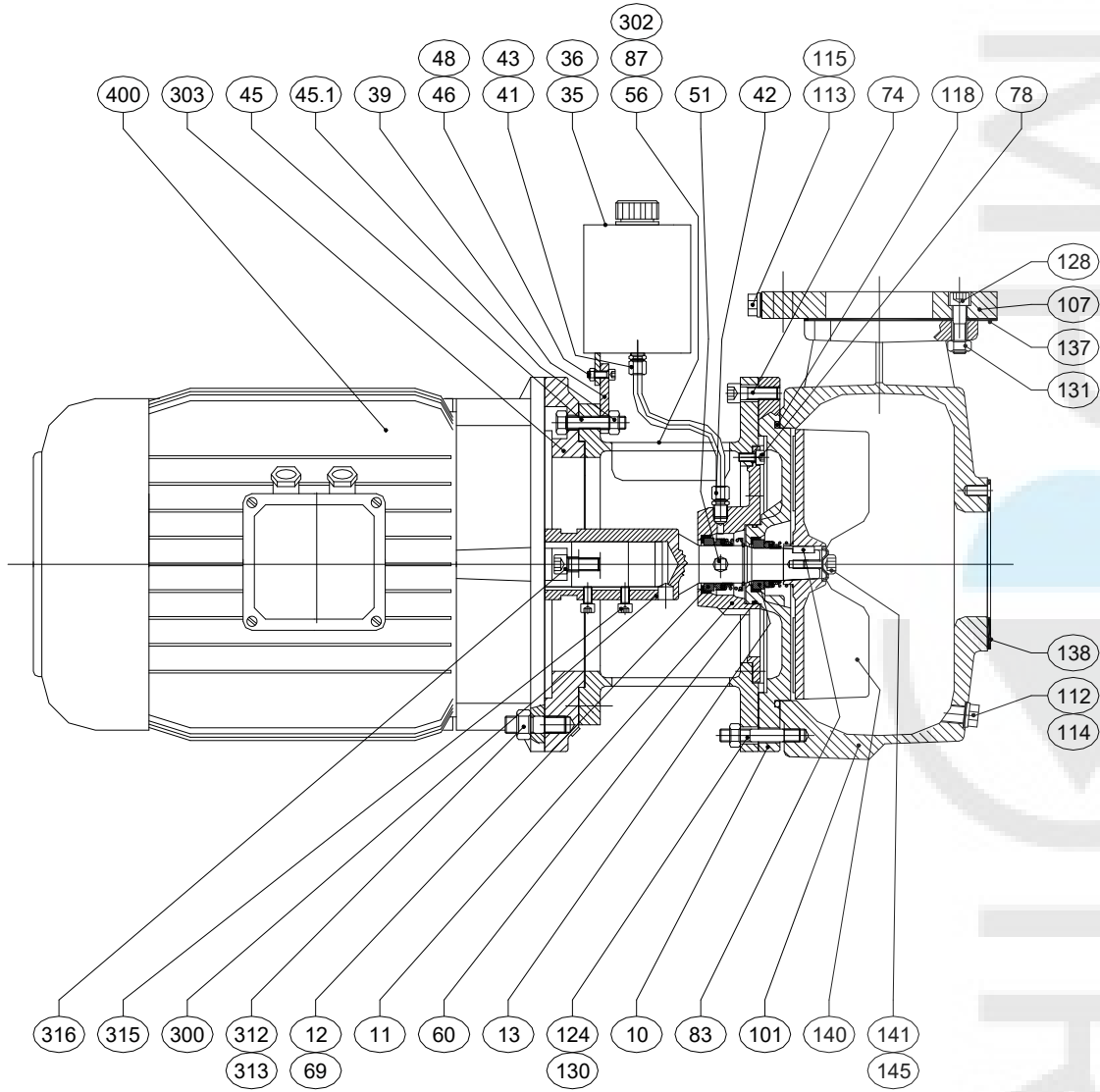
*Stainless steel version*

Pos	Qty	Part nr	Robot nr	Description		Pattern	Material
10	1	76434U	R704-188-RZ	Seal housing	BW40/BD40 BWP/BNP42	P588U	AISI 329
11	1	76132G	R704-202-GG	Seal housing	BW40/BD40 BWP/BNP42 -2	P4025	EN-GJL-250
12	1	9D2266	R706-314	Mechanical seal	Ø35 NBR/ceramic/SiC/1.457		Carb/ceramic/NB
13	1	9D2269	R706-317	Mechanical seal	Ø30 Viton		SiC/SiC/FPM
35	1	706234	R716-071-RV	Oil tank			AISI 304
36	1	706210	R716-086	Filling plug			
39	(1)	706288	R716-066	Support	BW HS		S235JR
	(1)	706289	R716-067-ST	Support	BW-VS		S235JR
41	2	706233	R716-043	Coupling	RIK 8x1/4"		CuZn 40
42	2	706233	R716-043	Coupling	RIK 8x1/4"		CuZn 40
43	2	9M5530	R716-031	Pipe	Ø8 L=100mm		Cu
45	(1)	9B4451 repl	R754-112	Hexagon socket screw	M12x 25		
	(1)	9B3057 repl	R753-256	Hexagon tap bolt	M12x 55		
45.1	(1)	9B3806 repl	R755-083	Nut	M12		
46	2	9B4423 repl	R754-082	Hexagon socket screw	M 6 x 20		
47	2	9B4722 repl	R758-079	Lock washer	(M 6)		
48	2	9B3803 repl	R755-032	Nut	M 6		
49	1	706280	R716-091	Pipe nipple	R1/4"x100		Fe galv.
50	1	9F2502	R716-092	Socket	R1/4"		Fe galv.
51	1	9B5420	R756-139	Plug	R 1/4"		AISI 316
56	1	706200	R713-177-RZ	Data plate	BW/BT/BD BWP/BNP		AISI 316
60	1	9D1320	R751-207	O-ring	66x 3.00		NBR
69	1	9B1835	R752-004	Circlip	A 35x1.5		spring steel
74	8	9B4453 repl	R754-080	Hexagon socket screw	M12x 35		
78	4	9B0523	R754-028	Hexagon socket screw	M 8x 16		AISI 316
83	1	9B2305	R756-101	Key	6 x 6x20		AISI 316
87	4	9B4202	R757-076	Data plate rivet	2.9x6.5		AISI 316
101	1	76607Z	R701-192-RZ	Volute	RW2030/40 RW4030/40-R		AISI 316
107	1	76606Z	R712-184-RZ	Reducer flange	R100-NW100 PN10		AISI 316
	(1)		R712-214-RZ	Reducer flange	R100-4" ANSI 150		
112	1	9B5311	R756-132	Plug	G 3/8"		AISI 316
113	1	9B5311	R756-132	Plug	G 3/8"		AISI 316
114	1	77083L	R756-147	Seal ring	Ø17x24x2 plug G3/8"		PTFE
115	1	77083L	R756-147	Seal ring	Ø17x24x2 plug G3/8"		PTFE
118	1	9D1314	R751-176-VI	O-ring	249.3x 5.7		Viton
124	4	9B3719	R753-210	Stud bolt	M12 x 60		AISI 316
128	4	9B4455	R754-170	Hexagon socket screw	M12x 45		AISI 316
130	4	9B3806	R755-091	Nut	M12		AISI 316
131	4	9B3806	R755-091	Nut	M12		AISI 316
133	4	9B3906	R758-102	Washer	(M12)		AISI 316
137	1	77164F	R761-060-VI	Gasket	140xØ10x2 DWP/DNP22-30/31/40		FPM

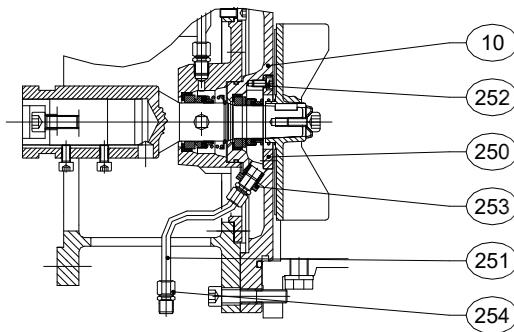
Pos	Qty	Part nr	Robot nr	Description	Pattern	Material
138	1		R760-144	Gasket		Ø158xØ100x2
140	1		R708-362-RZ	Impeller		RW4020/40/BW20 max 252 con30
	(1)		R708-362-RZ-25	Impeller		250 RW4020/40/BW con30
	(1)		R708-362-RZ-24	Impeller		240 RW4020/40/BW con30
	(1)		R708-362-RZ-23	Impeller		230 RW4020/40/BW con30
	(1)		R708-362-RZ-22	Impeller		225 RW4020/40/BW con30
	(1)		R708-362-RZ-22	Impeller		220 RW4020/40/BW con30
	(1)		R708-362-RZ-21	Impeller		215 RW4020/40/BW con30
	(1)		R708-362-RZ-21	Impeller		210 RW4020/40/BW con30
	(1)		R708-362-RZ-20	Impeller		205 RW4020/40/BW con30
	(1)		R708-362-RZ-20	Impeller		200 RW4020/40/BW con30
	(1)		R708-362-RZ-19	Impeller		195 RW4020/40/BW con30
	(1)		R708-362-RZ-19	Impeller		190 RW4020/40/BW con30
	(1)		R708-362-RZ-18	Impeller		185 RW4020/40/BW con30
	(1)		R708-362-RZ-18	Impeller		185 RW4020/40/BW con30
	(1)		R708-362-RZ-18	Impeller		180 RW4020/40/BW con30
	(1)		R708-362-RZ-17	Impeller		175 RW4020/40/BW con30
	(1)		R708-362-RZ-17	Impeller		173 RW4020/40/BW con30
	(1)		R708-362-RZ-17	Impeller		170 RW4020/40/BW con30
	(1)		R708-362-RZ-24	Impeller		240 RW4020/40/BW con30
	(1)		R708-362-RZ-16	Impeller		165 RW4020/40/BW con30
	(1)		R708-362-RZ-16	Impeller		160 RW4020/40/BW con30
	(1)		R708-362-RZ-15	Impeller		150 RW4020/40/BW con30
	(1)		R708-362-RZ-14	Impeller		140 RW4020/40/BW con30
141	1	706261	R713-226-RU	Impeller hubcap		ø30xø9x4 AISI 329
145	1	706292	R754-117	Hex. sock. screw counter sunk.		M 8x 20 AISI 316
<b>Supplement support, shaft and motor IEC132</b>						
300	1	76288Z	R703-406-RZ	Pump shaft extension		IEC132 BW40-S con30/Ø38 AISI 316
302	1	706315	R700-215-GG	Support		IEC 132 BW40-S P4026 EN-GJL-250
310	4	9B3906 repl	R758-095	Washer		(M12)
313	4	9B3716	R753-158	Stud bolt		M12 x 35 AISI 316
314	4	9B3806 repl	R755-083	Nut		M12
315	2	9B0523	R754-028	Hexagon socket screw		M 8x 16 AISI 316
330	2	706278	R710-494-ST	Protecting shield		BW, BT VK8/St10 Fe galv.
331	4	9B4420 repl	R754-026	Hexagon socket screw		M 6 x 12
400	(1)	IEC132S 5.5-4B5	R790-030	Motor		IEC132S 5.5 kW-4 Flens B5
	(1)	IEC132M 7.5-4B5	R790-031	Motor		IEC132M 7.5 kW-4 Flens B5
408	1	9B2430	R756-062	Roll pin		4x16 AISI 316
<b>Supplement support, coupling and motors IEC160</b>						
300	1	76096Z	R703-355-RZ	Pump shaft extension		IEC160 con30/Ø42 AISI 316
302	1	706315	R700-215-GG	Support		IEC 132 BW40-S P4026 EN-GJL-250
303	1	706313	R700-194-GG	Reducer flange		IEC 160/180 P4024 EN-GJL-250
310	4	9B3907 repl	R758-084	Washer		(M16)
313	4	9B3735 repl	R753-246	Stud bolt		M16 x 35

Pos	Qty	Part nr	Robot nr	Description	Pattern	Material
314	4	9B3807 repl	R755-086	Nut	M16	
315	2	9B0523	R754-028	Hexagon socket screw	M 8x 16	AISI 316
316	(2)	9B4451 repl	R754-112	Hexagon socket screw	M12x 25	
	(3)	9B4451 repl	R754-112	Hexagon socket screw	M12x 25	
330	2	706278	R710-494-ST	Protecting shield	BW, BT VK8/St10	Fe galv.
331	4	9B4420 repl	R754-026	Hexagon socket screw	M 6 x 12	
400	(1)	IEC160M 11.0-4B5	R790-032	Motor	IEC160M 11kW-4 Flens B5	
	(1)	IEC160M 11-4V1	R790-019	Motor	IEC160M 11 kW-4 Flens V1	
408	1	9B2430	R756-062	Roll pin	4x16	AISI 316
<b>Supplement support horizontal installation</b>						
230	1		R710-398-STR	Volute support	H BW NW100 hh225	
231	1	706224	R710-402-ST	Volute support	-2 BW BWP	S235JR
232	6	9B4441	R754-153	Hexagon socket screw	M10x 25	AISI 316
233	(2)	9B4462	R754-102	Hexagon socket screw	M16x 30	
234	(2)	9B3907 repl	R758-084	Washer	(M16)	
235	(2)	9B3807 repl	R755-086	Nut	M16	
<b>Supplement support vertical installation</b>						
230	1		R715-097-RZ	Support	V NW100	
232	6	9B4441	R754-153	Hexagon socket screw	M10x 25	AISI 316
<b>Supplement support hor. installation IEC132</b>						
230	1	76208S	R710-349-ST	Volute support	H hh225	S235JR
232	3	9B4441	R754-153	Hexagon socket screw	M10x 25	AISI 316
240	1	706275	R710-385-ST	Support	IEC132/160/180 hh225	S235JR
242	3	9B4451	R754-183	Hexagon socket screw	M12x 25	AISI 316
<b>Supplement: Support hor. installation IEC160/180</b>						
230	1	76208S	R710-349-ST	Volute support	H hh225	S235JR
232	3	9B4440	R754-181	Hexagon socket screw	M10x 20	AISI 316
240	1	706275	R710-385-ST	Support	IEC132/160/180 hh225	S235JR
242	2	9B4451	R754-183	Hexagon socket screw	M12x 25	AISI 316
304	1	9B3057	R753-152	Hexagon-head bolt	M12x 50	AISI 316
305	1	9B3806	R755-091	Nut	M12	AISI 316
<b>Option: seal flushing</b>						
10	1	76238U	R704-188-RZ-F	Seal housing	BW/BD40 spoelw/flush	P588U AISI 329
250	1	76239Z	R711-175-RZ	Baffle plate	BW40/BT20/4040	AISI 316
251	1	9M5530	R716-031	Pipe	Ø8 L=100mm	Cu
252	3	9B4420	R754-184	Hexagon socket screw	M 6 x 12	AISI 316
253	1	9F0353	R716-093	Reducer	R3/8"-R1/4" bu/bi	Fe galv.
254	2	706233	R716-043	Coupling	RIK 8x1/4"	CuZn 40
255	1	9F2502	R716-092	Socket	R1/4"	Fe galv.
<b>Option Sparepart kit</b>						
600	1	77884E	R506-7000	Spare part kit	BW40-H/V/K BWP/BNP42	

**BW4030-S**  
**BW4040-S**



**Spoelwateraansluiting**  
**Seal flushing**



**BW4030-S**  
**BW4040-S**

