

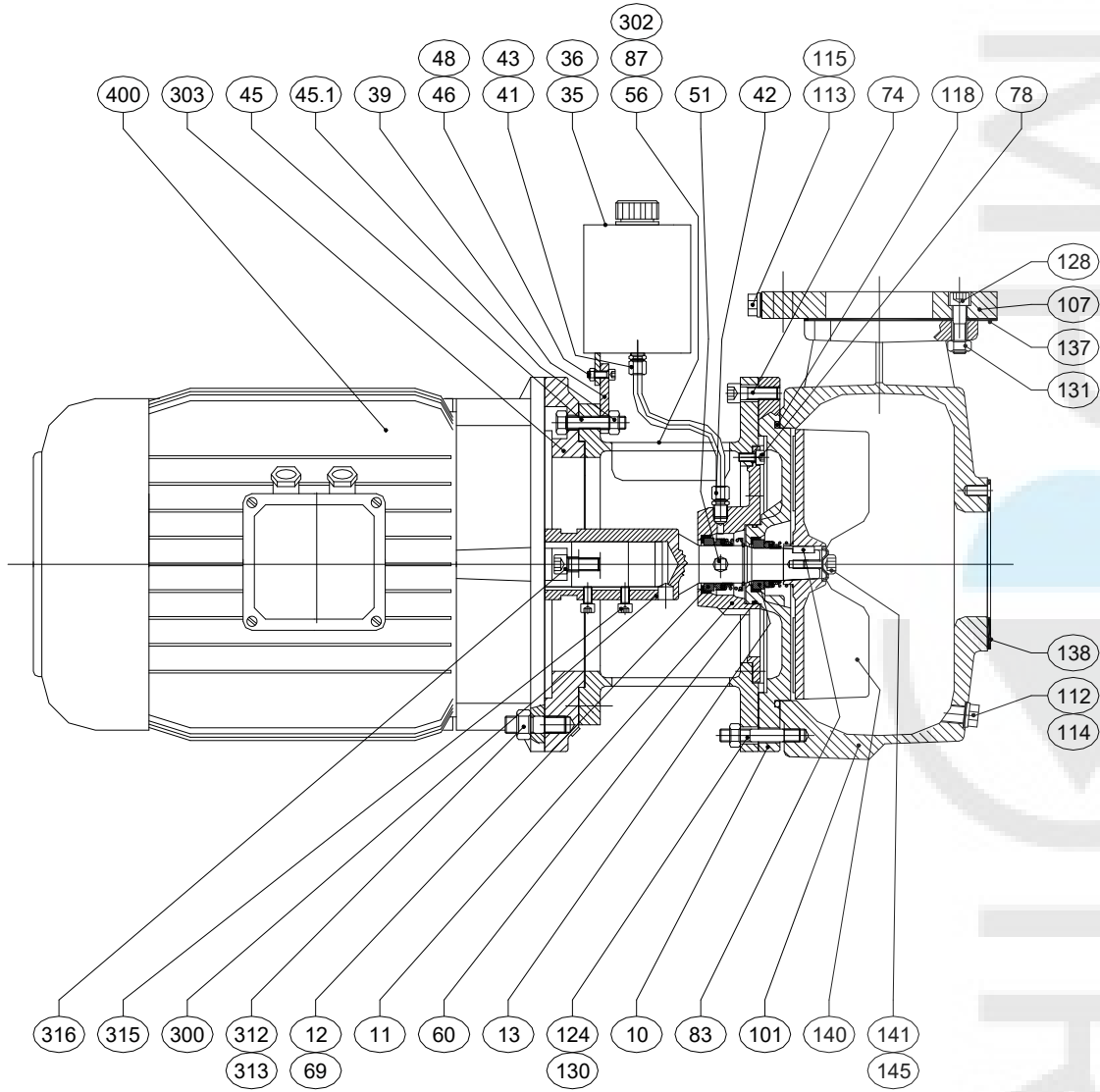
Stainless steel version

| Pos | Qty | Part nr | Robot nr | Description | | Pattern | Material |
|------|-----|----------------|-------------|----------------------|------------------------------|---------|-----------------|
| 10 | 1 | 76434U | R704-188-RZ | Seal housing | BW40/BD40 BWP/BNP42 | P588U | AISI 329 |
| 11 | 1 | 76132G | R704-202-GG | Seal housing | BW40/BD40 BWP/BNP42 -2 | P4025 | EN-GJL-250 |
| 12 | 1 | 9D2266 | R706-314 | Mechanical seal | Ø35 NBR/ceramic/SiC/1.457 | | Carb/ceramic/NB |
| 13 | 1 | 9D2269 | R706-317 | Mechanical seal | Ø30 Viton | | SiC/SiC/FPM |
| 35 | 1 | 706234 | R716-071-RV | Oil tank | | | AISI 304 |
| 36 | 1 | 706210 | R716-086 | Filling plug | | | |
| 39 | (1) | 706288 | R716-066 | Support | BW HS | | S235JR |
| | (1) | 706289 | R716-067-ST | Support | BW-VS | | S235JR |
| 41 | 2 | 706233 | R716-043 | Coupling | RIK 8x1/4" | | CuZn 40 |
| 42 | 2 | 706233 | R716-043 | Coupling | RIK 8x1/4" | | CuZn 40 |
| 43 | 2 | 9M5530 | R716-031 | Pipe | Ø8 L=100mm | | Cu |
| 45 | (1) | 9B4451 repl | R754-112 | Hexagon socket screw | M12x 25 | | |
| 45.1 | (1) | 9B3806 repl | R755-083 | Nut | M12 | | |
| 45 | (1) | 9B3057 repl | R753-256 | Hexagon tap bolt | M12x 55 | | |
| 46 | 2 | 9B4423 repl | R754-082 | Hexagon socket screw | M 6 x 20 | | |
| 47 | 2 | 9B4722 repl | R758-079 | Lock washer | (M 6) | | |
| 48 | 2 | 9B3803 repl | R755-032 | Nut | M 6 | | |
| 49 | 1 | 706280 | R716-091 | Pipe nipple | R1/4"x100 | | Fe galv. |
| 50 | 1 | 9F2502 | R716-092 | Socket | R1/4" | | Fe galv. |
| 51 | 1 | 9B5420 | R756-139 | Plug | R 1/4" | | AISI 316 |
| 56 | 1 | 706200 | R713-177-RZ | Data plate | BW/BT/BD BWP/BNP | | AISI 316 |
| 60 | 1 | 9D1320 | R751-207 | O-ring | 66x 3.00 | | NBR |
| 69 | 1 | 9B1835 | R752-004 | Circlip | A 35x1.5 | | spring steel |
| 74 | 8 | 9B4453 repl | R754-080 | Hexagon socket screw | M12x 35 | | |
| 78 | 4 | 9B0523 | R754-028 | Hexagon socket screw | M 8x 16 | | AISI 316 |
| 83 | 1 | 9B2305 | R756-101 | Key | 6 x 6x20 | | AISI 316 |
| 87 | 4 | 9B4202 | R757-076 | Data plate rivet | 2.9x6.5 | | AISI 316 |
| 101 | 1 | 76607Z | R701-192-RZ | Volute | RW2030/40 RW4030/40-R | | AISI 316 |
| 107 | 1 | 76606Z | R712-184-RZ | Reducer flange | R100-NW100 PN10 | | AISI 316 |
| | (1) | | R712-214-RZ | Reducer flange | R100-4" ANSI 150 | | |
| 112 | 1 | 9B5311 | R756-132 | Plug | G 3/8" | | AISI 316 |
| 113 | 1 | 9B5311 | R756-132 | Plug | G 3/8" | | AISI 316 |
| 114 | 1 | 77083L | R756-147 | Seal ring | Ø17x24x2 plug G3/8" | | PTFE |
| 115 | 1 | 77083L | R756-147 | Seal ring | Ø17x24x2 plug G3/8" | | PTFE |
| 118 | 1 | 9D1314 | R751-176-VI | O-ring | 249.3x 5.7 | | Viton |
| 124 | 4 | 9B3719 | R753-210 | Stud bolt | M12 x 60 | | AISI 316 |
| 128 | 4 | 9B4455 | R754-170 | Hexagon socket screw | M12x 45 | | AISI 316 |
| 130 | 4 | 9B3806 | R755-091 | Nut | M12 | | AISI 316 |
| 131 | 4 | 9B3806 | R755-091 | Nut | M12 | | AISI 316 |
| 133 | 4 | 9B3906 | R758-102 | Washer | (M12) | | AISI 316 |
| 137 | 1 | 77164F | R761-060-VI | Gasket | 140xØ10x2 DWP/DNP22-30/31/40 | | FPM |

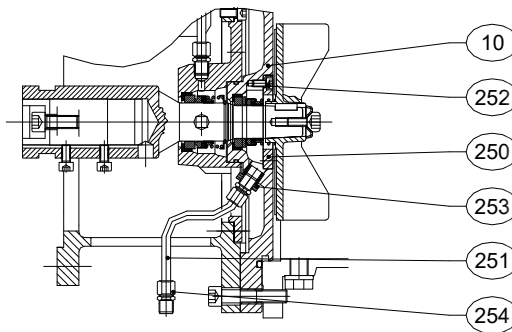
| Pos | Qty | Part nr | Robot nr | Description | Pattern | Material |
|---|-----|---------------------|----------------|--------------------------------|----------------------------|------------------|
| 138 | 1 | | R760-144 | Gasket | Ø158xØ100x2 | |
| 140 | 1 | | R708-360-RZ | Impeller | RW4030/BW20/4030 con30 | |
| | (1) | | R708-360-RZ-25 | Impeller | 252 RW4030/BW20 con30 | |
| | (1) | | R708-360-RZ-24 | Impeller | 245 RW4030/BW20/4030 con30 | |
| | (1) | | R708-360-RZ-23 | Impeller | 235 RW4030/BW20/4030 con30 | |
| | (1) | | R708-360-RZ-21 | Impeller | 215 RW4030/BW2030 con30 | |
| | (1) | | R708-360-RZ-20 | Impeller | 200 RW4030/BW20/4030 con30 | |
| | (1) | | R708-360-RZ-19 | Impeller | 190 RW4030/BW20/4030 con30 | |
| | (1) | | R708-360-RZ-17 | Impeller | 175 RW4030/BW20 con30 | |
| | (1) | | R708-360-RZ-17 | Impeller | 170 RW4030/BW20/4030 con30 | |
| | (1) | | R708-360-RZ-15 | Impeller | 150 RW4030/BW20 con30 | |
| 141 | 1 | 706261 | R713-226-RU | Impeller hubcap | Ø30xØ9x4 | AISI 329 |
| 145 | 1 | 706292 | R754-117 | Hex. sock. screw counter sunk. | M 8x 20 | AISI 316 |
| Supplement support, shaft and motor IEC132 | | | | | | |
| 300 | 1 | 76288Z | R703-406-RZ | Pump shaft extension | IEC132 BW40-S con30/Ø38 | AISI 316 |
| 302 | 1 | 706315 | R700-215-GG | Support | IEC 132 BW40-S | P4026 EN-GJL-250 |
| 310 | 4 | 9B3906 repl | R758-095 | Washer | (M12) | |
| 313 | 4 | 9B3716 | R753-158 | Stud bolt | M12 x 35 | AISI 316 |
| 314 | 4 | 9B3806 repl | R755-083 | Nut | M12 | |
| 315 | 2 | 9B0523 | R754-028 | Hexagon socket screw | M 8x 16 | AISI 316 |
| 330 | 2 | 706278 | R710-494-ST | Protecting shield | BW, BT VK8/St10 | Fe galv. |
| 331 | 4 | 9B4420 repl | R754-026 | Hexagon socket screw | M 6 x 12 | |
| 400 | (1) | IEC132S 5.5-4B5 | R790-030 | Motor | IEC132S 5.5 kW-4 Flens B5 | |
| | (1) | IEC132M 7.5-4B5 | R790-031 | Motor | IEC132M 7.5 kW-4 Flens B5 | |
| 408 | 1 | 9B2430 | R756-062 | Roll pin | 4x16 | AISI 316 |
| Supplement support, coupling and motors IEC160 | | | | | | |
| 300 | 1 | 76096Z | R703-355-RZ | Pump shaft extension | IEC160 con30/Ø42 | AISI 316 |
| 302 | 1 | 706315 | R700-215-GG | Support | IEC 132 BW40-S | P4026 EN-GJL-250 |
| 303 | 1 | 706313 | R700-194-GG | Reducer flange | IEC 160/180 | P4024 EN-GJL-250 |
| 310 | 4 | 9B3907 repl | R758-084 | Washer | (M16) | |
| 313 | 4 | 9B3735 repl | R753-246 | Stud bolt | M16 x 35 | |
| 314 | 4 | 9B3807 repl | R755-086 | Nut | M16 | |
| 315 | 2 | 9B0523 | R754-028 | Hexagon socket screw | M 8x 16 | AISI 316 |
| 316 | (2) | 9B4451 repl | R754-112 | Hexagon socket screw | M12x 25 | |
| | (3) | 9B4451 repl | R754-112 | Hexagon socket screw | M12x 25 | |
| 330 | 2 | 706278 | R710-494-ST | Protecting shield | BW, BT VK8/St10 | Fe galv. |
| 331 | 4 | 9B4420 repl | R754-026 | Hexagon socket screw | M 6 x 12 | |
| 400 | (1) | IEC160M 11.0-4B5 | R790-032 | Motor | IEC160M 11kW-4 Flens B5 | |

| Pos | Qty | Part nr | Robot nr | Description | | Pattern | Material |
|---|-----|-------------------|---------------|----------------------|--------------------------|---------|----------|
| 400 | (1) | IEC160M 11-4V1 | R790-019 | Motor | IEC160M 11 kW-4 Flens V1 | | |
| 408 | 1 | 9B2430 | R756-062 | Roll pin | 4x16 | | AISI 316 |
| Supplement support horizontal installation | | | | | | | |
| 230 | 1 | | R710-398-STR | Volute support | H BW NW100 hh225 | | |
| 231 | 1 | 706224 | R710-402-ST | Volute support | -2 BW BWP | | S235JR |
| 232 | 6 | 9B4441 | R754-153 | Hexagon socket screw | M10x 25 | | AISI 316 |
| 233 | (2) | 9B4462 | R754-102 | Hexagon socket screw | M16x 30 | | |
| 234 | (2) | 9B3907 repl | R758-084 | Washer | (M16) | | |
| 235 | (2) | 9B3807 repl | R755-086 | Nut | M16 | | |
| Supplement support hor. installation IEC132 | | | | | | | |
| 230 | 1 | | R715-097-RZ | Support | V NW100 | | |
| 232 | 6 | 9B4441 | R754-153 | Hexagon socket screw | M10x 25 | | AISI 316 |
| Supplement support vertical installation | | | | | | | |
| 230 | 1 | 76208S | R710-349-ST | Volute support | H hh225 | | S235JR |
| 232 | 3 | 9B4441 | R754-153 | Hexagon socket screw | M10x 25 | | AISI 316 |
| 240 | 1 | 706275 | R710-385-ST | Support | IEC132/160/180 hh225 | | S235JR |
| 242 | 3 | 9B4451 | R754-183 | Hexagon socket screw | M12x 25 | | AISI 316 |
| Supplement: Support hor. installation IEC160/180 | | | | | | | |
| 230 | 1 | 76208S | R710-349-ST | Volute support | H hh225 | | S235JR |
| 232 | 3 | 9B4440 | R754-181 | Hexagon socket screw | M10x 20 | | AISI 316 |
| 240 | 1 | 706275 | R710-385-ST | Support | IEC132/160/180 hh225 | | S235JR |
| 242 | 2 | 9B4451 | R754-183 | Hexagon socket screw | M12x 25 | | AISI 316 |
| 304 | 1 | 9B3057 | R753-152 | Hexagon-head bolt | M12x 50 | | AISI 316 |
| 305 | 1 | 9B3806 | R755-091 | Nut | M12 | | AISI 316 |
| Option: seal flushing | | | | | | | |
| 10 | 1 | 76238U | R704-188-RZ-F | Seal housing | BW/BD40 spoelw/flush | P588U | AISI 329 |
| 250 | 1 | 76239Z | R711-175-RZ | Baffle plate | BW40/BT20/4040 | | AISI 316 |
| 251 | 1 | 9M5530 | R716-031 | Pipe | Ø8 L=100mm | | Cu |
| 252 | 3 | 9B4420 | R754-184 | Hexagon socket screw | M 6 x 12 | | AISI 316 |
| 253 | 1 | 9F0353 | R716-093 | Reducer | R3/8"-R1/4" bu/bi | | Fe galv. |
| 254 | 2 | 706233 | R716-043 | Coupling | RIK 8x1/4" | | CuZn 40 |
| 255 | 1 | 9F2502 | R716-092 | Socket | R1/4" | | Fe galv. |
| Option Sparepart kit | | | | | | | |
| 600 | 1 | 77885E | R506-6000 | Spare part kit | BW20-H/V/K | | |

BW4030-S
BW4040-S



Spoelwateraansluiting
Seal flushing



BW4030-S
BW4040-S

