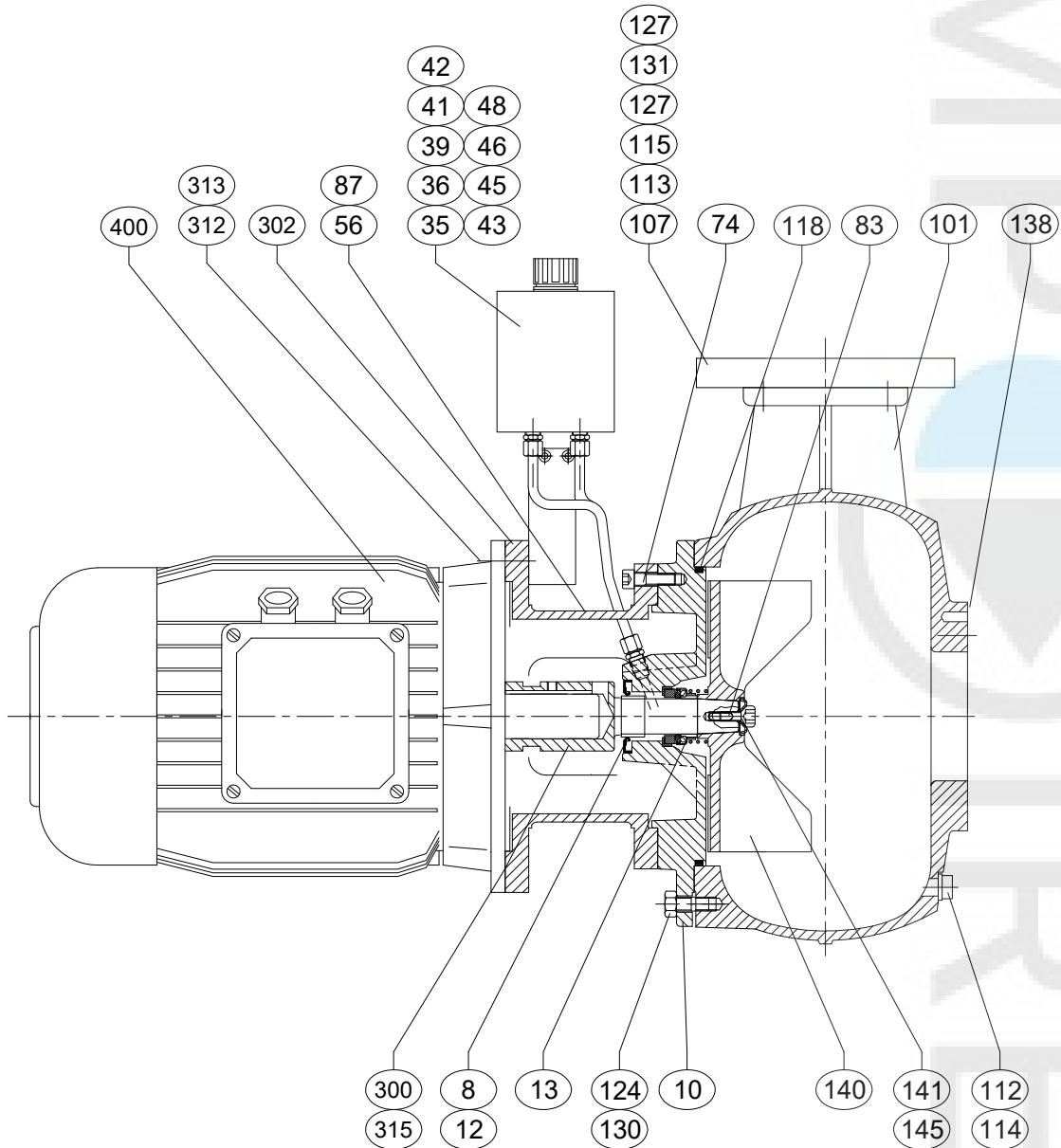


Basic version

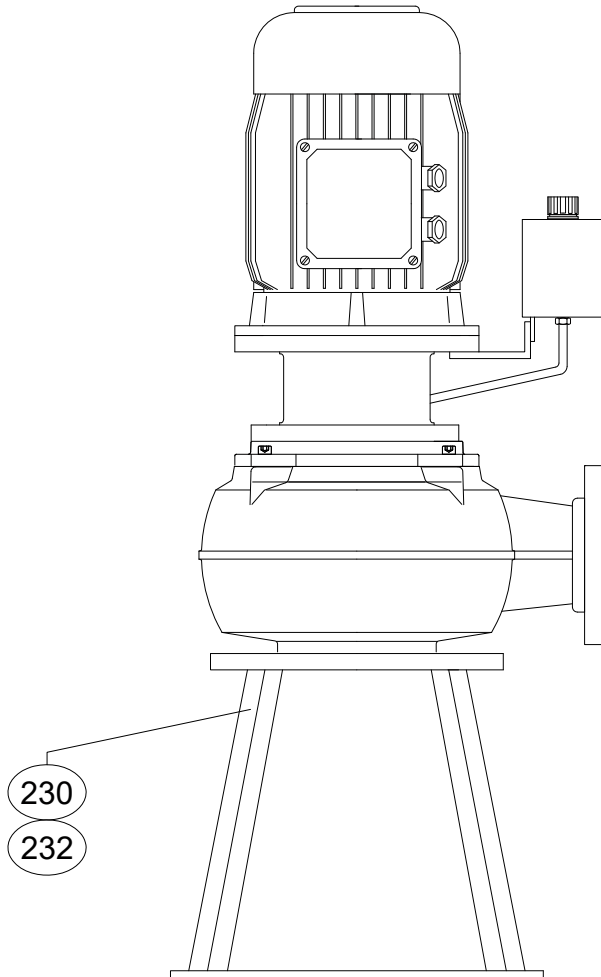
Pos	Qty	Part nr	Robot nr	Description		Pattern	Material
8	1	9D1133	R706-347	Seal sleeve	Ø30 CR 99114		
10	1	706270	R704-157-GG	Seal housing	BW20	P4031	EN-GJL-250
12	1	9D1132	R706-346	Lip seal	Ø30/Ø62x7 CB 30x62x07.64		
13	1	9D2267	R706-318	Mechanical seal	Ø30 NBR / SiC / 1.4571		SiC/SiC/NBR
35	1	706234	R716-071-RV	Oil tank			AISI 304
36	1	706210	R716-086	Filling plug			
39	1	706288	R716-066	Support	BW HS		S235JR
41	2	706233	R716-043	Coupling	RIK 8x1/4"		CuZn 40
42	2	706233	R716-043	Coupling	RIK 8x1/4"		CuZn 40
43	2	9M5530	R716-031	Pipe	Ø8 L=100mm		Cu
45	1	9B4451	R754-183	Hexagon socket screw	M12x 25		AISI 316
46	2	9B4423	R754-141	Hexagon socket screw	M 6 x 20		AISI 316
47	2	9B4722	R758-088	Lock washer	(M 6)		AISI 316
48	2	9B3803	R755-077	Nut	M 6		AISI 316
56	1	77256Z	R713-259-RZ	Data plate	Blanco 87x45x1		
74	4	9B4443	R754-169	Hexagon socket screw	M10x 35		AISI 316
83	1	9B2305	R756-101	Key	6 x 6x20		AISI 316
87	4	9B4202	R757-076	Data plate rivet	2.9x6.5		AISI 316
96	1	9S0033	R906-069	Oil	Shell Tellus 32 2 ltr		
101	1	76101G	R701-214-GG	Volute	RW4041 RWP/BWP42-41	P476G	EN-GJL-250
107	1	706279	R712-161-ST	Reducer flange	R100-NW100		S235JR
	(1)		R712-214-ST	Reducer flange	R100-4" ANSI 150		
112	1	9B5310	R709-325	Plug	G 3/8"		CuZn 40
113	1	9B5310	R709-325	Plug	G 3/8"		CuZn 40
114	1	706231	R713-175	Seal ring	A 17x23x1.5 plug G3/8"		Cu
115	1	706231	R713-175	Seal ring	A 17x23x1.5 plug G3/8"		Cu
118	1	9D1368	R751-176	O-ring	249.3x 5.7		NBR
122	1	9B5610	R756-028	Dubo ring	M 8 Type 11 14x8.3x3		PA 6.6
123	1	9B4428	R754-197	Hexagon socket screw	M 8x 12		AISI 316
124	4	9B3715	R753-222	Stud bolt	M12 x 30		AISI 316
128	4	9B4455	R754-170	Hexagon socket screw	M12x 45		AISI 316
130	4	9B3806	R755-091	Nut	M12		AISI 316
131	4	9B3806	R755-091	Nut	M12		AISI 316
133	4	9B3906	R758-102	Washer	(M12)		AISI 316
137	1	706282	R761-002	Gasket	140xØ105x2		CR
138	1	706304	R760-139	Gasket	Ø190xØ125x3		CR
140	1	W06260	R708-365-NG	Impeller	RW4041/BW20/4041 con30	P4009	EN-GJS-400-15
	(1)		R708-365-NG-2	Impeller	252 RW/BW4041 con30		
	(1)		R708-365-NG-2	Impeller	245 RW/BW4041 con30		
	(1)		R708-365-NG-2	Impeller	235 RW/BW4041 con30		
	(1)		R708-365-NG-2	Impeller	232 RW/BW4041 con30		
	(1)		R708-365-NG-2	Impeller	230 RW/BW4041 con30		
	(1)		R708-365-NG-2	Impeller	225 RW/BW4041 con30		
	(1)		R708-365-NG-2	Impeller	220 RW/BW4041 con30		
	(1)		R708-365-NG-2	Impeller	210 RW/BW4041 con30		
	(1)		R708-365-NG-2	Impeller	205 RW/BW4041 con30		

Pos	Qty	Part nr	Robot nr	Description		Pattern	Material
140	(1)		R708-365-NG-2	Impeller	200 RW/BW4041 con30		
	(1)		R708-365-NG-1	Impeller	180 RW/BW4041 con30		
141	1	706261	R713-226-RU	Impeller hubcap	ø30xø9x4		AISI 329
145	1	706292	R754-117	Hex. sock. screw counter sunk.	M 8x 20		AISI 316
<b>Supplement support horizontal installation</b>							
230	1	706310	R710-399-ST	Volute support	H BW NW125 hh225		S235JR
	(1)		R710-491-ST	Volute support	H BW 5" ANSI 150 hh225		
232	6	9B4441	R754-153	Hexagon socket screw	M10x 25		AISI 316
<b>Supplement motor support hor. installation IEC132</b>							
240	1	706275	R710-385-ST	Support	IEC132/160/180 hh225		S235JR
242	3	9B4451	R754-183	Hexagon socket screw	M12x 25		AISI 316
<b>Supplement support vertical installation</b>							
230	1	76321T	R715-093-ST	Support	V NW125		Fe galv
232	6	9B4441	R754-153	Hexagon socket screw	M10x 25		AISI 316
<b>Supplement support, shaft and motor IEC132</b>							
300	1	706269	R703-354-RZ	Pump shaft extension	IEC132 con30/Ø38		AISI 316
302	1	706266	R700-135-GG	Support	IEC132 -HS -VS	P4027	EN-GJL-250
310	4	9B3906	R758-102	Washer	(M12)		AISI 316
313	4	9B3715	R753-222	Stud bolt	M12 x 30		AISI 316
314	4	9B3806	R755-091	Nut	M12		AISI 316
315	1	9B4428	R754-197	Hexagon socket screw	M 8x 12		AISI 316
330	2	706278	R710-494-ST	Protecting shield	BW, BT VK8/St10		Fe galv.
331	4	9B4420	R754-184	Hexagon socket screw	M 6 x 12		AISI 316
400	(1)	9T1523	R790-031-YT	Motor	IEC132M 7.5kW-1450 400/690V 50Hz Flens B5 Incl. PTC IE3		
	(1)	9T1521	R790-054-YT	Motor	IEC132S 3.0kW-960 400/690V 50Hz Flens B5 incl. PTC IE3		
<b>Option: seal flushing</b>							
10	1	76552G	R704-157-GG-F	Seal housing	BWP22-S spoelw/flushing	P4031	EN-GJL-250
250	1	76553Z	R711-171-RZ	Baffle plate	BW20/21/2500		AISI 316
251	1	9M5530	R716-031	Pipe	Ø8 L=100mm		Cu
253	1	9F0353	R716-093	Reducer	R3/8"-R1/4" bu/bi		Fe galv.
254	2	706233	R716-043	Coupling	RIK 8x1/4"		CuZn 40
255	1	9F2502	R716-092	Socket	R1/4"		Fe galv.
<b>Option Sparepart kit</b>							
600	1	77885E	R506-6000	Spare part kit	BW20-H/V/K		



BW2041-SV

BW2041-SV



BW2041-SH

