

Basic version

Pos	Qty	Part nr	Robot nr	Description	Pattern	Material
1	1		R703-381-RM	Pump shaft	BW20 con30/Ø38	
5	1	9L0437	R750-054	Ball bearing	6307-2Z-C3	
6	1	9L0437	R750-054	Ball bearing	6307-2Z-C3	
8	1	9D1133	R706-347	Seal sleeve	Ø30 CR 99114	
10	1	706270	R704-157-GG	Seal housing	BW20	P4031 EN-GJL-250
12	1	9D1132	R706-346	Lip seal	Ø30/Ø62x7 CB 30x62x07.64	
13	1	9D2267	R706-318	Mechanical seal	Ø30 NBR / SiC / 1.4571	SiC/SiC/NBR
15	1		R707-188-GG	Bearing housing	Ø 80	
16	1		R707-190-GG	Bearing housing cover	-V	
17	1		R707-192-GG	Bearing housing cover		
35	1	706234	R716-071-RV	Oil tank		AISI 304
36	1	706210	R716-086	Filling plug		
39	1	76368V	R716-089-ST	Bracket	-V < IEC 200	RVS 304
41	2	706233	R716-043	Coupling	RIK 8x1/4"	CuZn 40
42	2	706233	R716-043	Coupling	RIK 8x1/4"	CuZn 40
43	2	9M5530	R716-031	Pipe	Ø8 L=100mm	Cu
45	2	9B4423	R754-141	Hexagon socket screw	M 6 x 20	AISI 316
46	2	9B4423	R754-141	Hexagon socket screw	M 6 x 20	AISI 316
47	2	9B4722	R758-088	Lock washer	(M 6)	AISI 316
48	2	9B3803	R755-077	Nut	M 6	AISI 316
56	1	706200	R713-177-RZ	Data plate	BW/BT/BD BWP/BNP	AISI 316
66	1	9B1835	R752-004	Circlip	A 35x1.5	spring steel
67	1	9B1835	R752-004	Circlip	A 35x1.5	spring steel
68	1	9B2080	R752-031	Circlip	J 80x2.5	spring steel
74	4	9B4443 repl	R754-116	Hexagon socket screw	M10x 35	
77	8	9B4441 repl	R754-027	Hexagon socket screw	M10x 25	
78	4	9B4441 repl	R754-027	Hexagon socket screw	M10x 25	
82	1	9B2420	R756-138	Key	10x 8x36	AISI 316
83	1	9B2305	R756-101	Key	6 x 6x20	AISI 316
87	4	9B4202	R757-076	Data plate rivet	2.9x6.5	AISI 316
101	1	706268	R701-213-GG	Volute	RW4030-A BW20/4030	P4015 EN-GJL-250
107	1	706279	R712-161-ST	Reducer flange	R100-NW100	S235JR
	(1)		R712-214-ST	Reducer flange	R100-4" ANSI 150	
112	1	9B5310	R709-325	Plug	G 3/8"	CuZn 40
113	1	9B5310	R709-325	Plug	G 3/8"	CuZn 40
114	1	706231	R713-175	Seal ring	A 17x23x1.5 plug G3/8"	Cu
115	1	706231	R713-175	Seal ring	A 17x23x1.5 plug G3/8"	Cu
118	1	9D1368	R751-176	O-ring	249.3x 5.7	NBR
124	4	9B3715	R753-222	Stud bolt	M12 x 30	AISI 316
128	4	9B4456	R754-113	Hexagon socket screw	M12x 50	AISI 316
130	4	9B3806	R755-091	Nut	M12	AISI 316
131	4	9B3806	R755-091	Nut	M12	AISI 316
133	4	9B3906	R758-102	Washer	(M12)	AISI 316

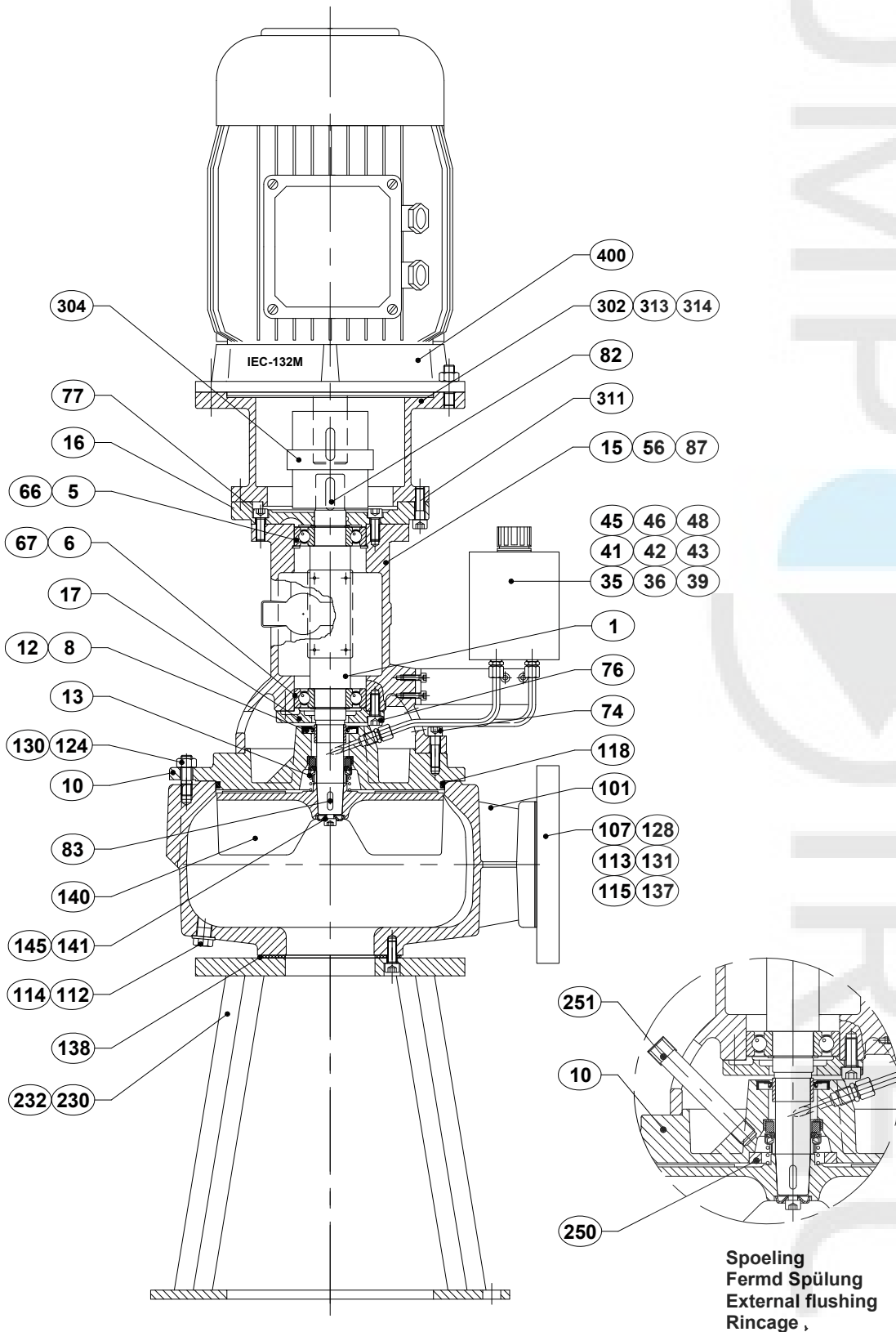
Pos	Qty	Part nr	Robot nr	Description	Pattern	Material
134	4	9B3906	R758-102	Washer	(M12)	AISI 316
137	1	706282	R761-002	Gasket	140xØ105x2	CR
138	1	706281	R760-138	Gasket	Ø158xØ100x3	CR
140	1	W06259	R708-362-NG	Impeller	R/BW4020/40 D/BWP22/42-20/40 con30	P4010 EN-GJS-400-15
	(1)		R708-362-NG-2	Impeller	250 RW4020/40/BW con30	
	(1)		R708-362-NG-2	Impeller	240 RW4020/40/BW con30	
	(1)		R708-362-NG-2	Impeller	235 RW4020/40/BW con30	
	(1)		R708-362-NG-2	Impeller	230 RW4020/40/BW con30	
	(1)		R708-362-NG-2	Impeller	225 RW4020/40/BW con30	
	(1)		R708-362-NG-2	Impeller	220 RW4020/40/BW con30	
	(1)		R708-362-NG-2	Impeller	215 RW4020/40/BW con30	
	(1)		R708-362-NG-2	Impeller	210 RW4020/40/BW con30	
	(1)		R708-362-NG-2	Impeller	205 RW4020/40/BW con30	
	(1)		R708-362-NG-2	Impeller	200 RW4020/40/BW con30	
	(1)		R708-362-NG-1	Impeller	195 RW4020/40/BW con30	
	(1)		R708-362-NG-1	Impeller	190 RW4020/40/BW con30	
	(1)		R708-362-NG-1	Impeller	185 RW4020/40/BW con30	
	(1)		R708-362-NG-1	Impeller	180 RW4020/40/BW con30	
	(1)		R708-362-NG-1	Impeller	175 RW4020/40/BW con30	
	(1)		R708-362-NG-1	Impeller	170 RW4020/40/BW con30	
	(1)		R708-362-NG-1	Impeller	165 RW4020/40/BW con30	
	(1)		R708-362-NG-1	Impeller	160 RW4020/40/BW con30	
	(1)		R708-362-NG-1	Impeller	150 RW4020/40/BW con30	
	(1)		R708-362-NG-1	Impeller	140 RW4020/40/BW con30	
141	1	706261	R713-226-RU	Impeller hubcap	ø30xø9x4	AISI 329
145	1	706292	R754-117	Hex. sock. screw counter sunk.	M 8x 20	AISI 316
Supplement support vertical installation						
230	1	706287	R715-092-ST	Support	V NW100	S235JR
	(1)		R715-105-ST	Support	V 4" ANSI 150 USA ANSI 150	
	(1)	76562S	R712-261-ST	Suction flange	NW100-BWP22-30VS	S235JR
232	6	9B4441	R754-153	Hexagon socket screw	M10x 25	AISI 316
Supplement support, shaft and motors IEC100/112						
302	1		R700-093-GG	Support	IEC 100/112, -V opst	
304	1		R710-320	Coupling	IEC 100/112 Ø 32/28	
310	4	9B3906 repl	R758-095	Washer	(M12)	
311	4	9B4443 repl	R754-116	Hexagon socket screw	M10x 35	
313	4	9B3715	R753-222	Stud bolt	M12 x 30	AISI 316
314	4	9B3806 repl	R755-083	Nut	M12	
330	2	706278	R710-494-ST	Protecting shield	BW, BT VK8/St10	Fe galv.
331	4	9B4420 repl	R754-026	Hexagon socket screw	M 6 x 12	
400	(1)	IEC100L 2.2-4V1	R790-014	Motor	IEC100L 2.2 kW-4 Flens V1	
	(1)	IEC100L 3.0-4V1	R790-015	Motor	IEC100L 3 kW-4 Flens V1	
	(1)	IEC112M 4.0-4V1	R790-016	Motor	IEC112M 4 kW-4 Flens V1	
	(1)		R790-064	Motor	IEC112M 2.2 KW-6 Flens V1	

Pos	Qty	Part nr	Robot nr	Description	Pattern	Material
Supplement support, shaft and motor IEC132						
302	1		R700-187-GG	Support		IEC 132, -V opst
304	1	9T0716	R710-342	Coupling		J-Flex Swift Spider 110-IEC132 Ø 32/38
310	4	9B3906 repl	R758-095	Washer		(M12)
311	4	9B4443 repl	R754-116	Hexagon socket screw		M10x 35
313	4	9B3715	R753-222	Stud bolt		M12 x 30 AISI 316
314	4	9B3806 repl	R755-083	Nut		M12
330	2	706278	R710-494-ST	Protecting shield		BW, BT VK8/St10 Fe galv.
331	4	9B4420 repl	R754-026	Hexagon socket screw		M 6 x 12
400	1	IEC132M 7.5-4B5	R790-018	Motor		IEC132M 7.5 kW-4 Flens B5
	(1)	IEC132S 5.5-4B5	R790-017	Motor		IEC132S 5.5 kW-4 Flens B5
Option: seal flushing						
10	1	76552G	R704-157-GG-F	Seal housing		BWP22-S spoelw/flushing P4031 EN-GJL-250
250	1	76553Z	R711-171-RZ	Baffle plate		BW20/21/2500 AISI 316
251	1	706232	R716-029	Pipe nipple		R3/8 x 150 AISI 316
Option Sparepart kit						
600	1	77885E	R506-6000	Spare part kit		BW20-H/V/K

**BW2040-VM
BW2030-VM**

 **ROBOT PUMPS**
By Pompdirect

Dwg : 507 N1
Date : 03-1997
Page : 1/1
By : PC
Repl. : .



**Spoeling
Fern Spülung
External flushing
Rincage ,**