

Stainless steel version

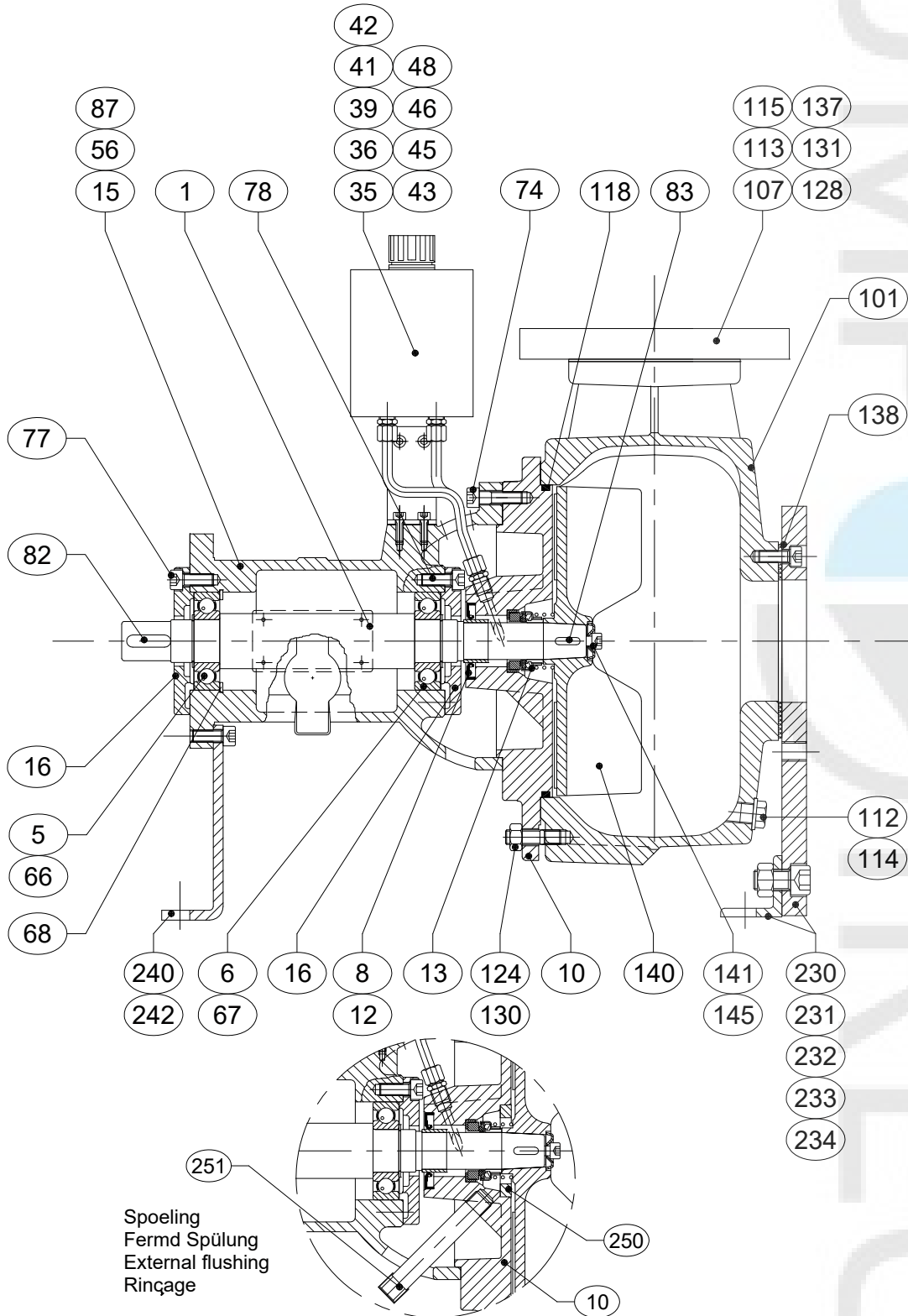
| Pos | Qty | Part nr | Robot nr | Description | Pattern | Material |
|-----|-----|----------------|-------------|-----------------------|--------------------------|----------------|
| 1 | 1 | | R703-381-RZ | Pump shaft | BW20 con30/Ø38 | |
| 5 | 1 | 9L0437 | R750-054 | Ball bearing | 6307-2Z-C3 | |
| 6 | 1 | 9L0437 | R750-054 | Ball bearing | 6307-2Z-C3 | |
| 8 | 1 | 9D1133 | R706-347 | Seal sleeve | Ø30 CR 99114 | |
| 10 | 1 | 76433U | R704-157-RZ | Seal housing | BW 20/21 | P587U AISI 329 |
| 12 | 1 | 9D1132 | R706-346 | Lip seal | Ø30/Ø62x7 CB 30x62x07.64 | |
| 13 | 1 | 9D2269 | R706-317 | Mechanical seal | Ø30 Viton | SiC/SiC/FPM |
| 15 | 1 | | R707-188-GG | Bearing housing | Ø 80 | |
| 16 | 2 | | R707-192-GG | Bearing housing cover | | |
| 49 | 1 | 706280 | R716-091 | Pipe nipple | R1/4"x100 | Fe galv. |
| 50 | 1 | 9F2502 | R716-092 | Socket | R1/4" | Fe galv. |
| 51 | 1 | 9B5420 | R756-139 | Plug | R 1/4" | AISI 316 |
| 35 | 1 | 706234 | R716-071-RV | Oil tank | | AISI 304 |
| 36 | 1 | 706210 | R716-086 | Filling plug | | |
| | 1 | 9B5320 | R756-137 | Plug | G 1" | PA 66 |
| 39 | 1 | 706235 | R716-072 | Bracket | -H | S235JR |
| 41 | 2 | 706233 | R716-043 | Coupling | RIK 8x1/4" | CuZn 40 |
| 42 | 2 | 706233 | R716-043 | Coupling | RIK 8x1/4" | CuZn 40 |
| 43 | 2 | 9M5530 | R716-031 | Pipe | Ø8 L=100mm | Cu |
| 45 | 2 | 9B4423 | R754-141 | Hexagon socket screw | M 6 x 20 | AISI 316 |
| 46 | 2 | 9B4423 | R754-141 | Hexagon socket screw | M 6 x 20 | AISI 316 |
| 47 | 2 | 9B4722 | R758-088 | Lock washer | (M 6) | AISI 316 |
| 48 | 2 | 9B3803 | R755-077 | Nut | M 6 | AISI 316 |
| 56 | 1 | 706200 | R713-177-RZ | Data plate | BW/BT/BD BWP/BNP | AISI 316 |
| 66 | 1 | 9B1835 | R752-004 | Circlip | A 35x1.5 | spring steel |
| 67 | 1 | 9B1835 | R752-004 | Circlip | A 35x1.5 | spring steel |
| 68 | 1 | 9B2080 | R752-031 | Circlip | J 80x2.5 | spring steel |
| 74 | 4 | 9B4443 repl | R754-116 | Hexagon socket screw | M10x 35 | |
| 77 | 4 | 9B4441 repl | R754-027 | Hexagon socket screw | M10x 25 | |
| 78 | 4 | 9B4441 repl | R754-027 | Hexagon socket screw | M10x 25 | |
| 82 | 1 | 9B2420 | R756-138 | Key | 10x 8x36 | AISI 316 |
| 83 | 1 | 9B2305 | R756-101 | Key | 6 x 6x20 | AISI 316 |
| 87 | 4 | 9B4202 | R757-076 | Data plate rivet | 2.9x6.5 | AISI 316 |
| 101 | 1 | 76607Z | R701-192-RZ | Volute | RW2030/40 RW4030/40-R | AISI 316 |
| 107 | 1 | 76606Z | R712-184-RZ | Reducer flange | R100-NW100 PN10 | AISI 316 |
| | (1) | | R712-214-RZ | Reducer flange | R100-4" ANSI 150 | |
| 112 | 1 | 9B5311 | R756-132 | Plug | G 3/8" | AISI 316 |
| 113 | 1 | 9B5311 | R756-132 | Plug | G 3/8" | AISI 316 |
| 114 | 1 | 77083L | R756-147 | Seal ring | Ø17x24x2 plug G3/8" | PTFE |
| 115 | 1 | 77083L | R756-147 | Seal ring | Ø17x24x2 plug G3/8" | PTFE |
| 118 | 1 | 9D1314 | R751-176-VI | O-ring | 249.3x 5.7 | Viton |
| 124 | 4 | 9B3715 | R753-222 | Stud bolt | M12 x 30 | AISI 316 |
| 128 | 4 | 9B4455 | R754-170 | Hexagon socket screw | M12x 45 | AISI 316 |

| Pos | Qty | Part nr | Robot nr | Description | Pattern | Material |
|---|-----|----------------|----------------|--------------------------------|---|----------|
| 130 | 4 | 9B3806 | R755-091 | Nut | M12 | AISI 316 |
| 131 | 4 | 9B3806 | R755-091 | Nut | M12 | AISI 316 |
| 133 | 4 | 9B3906 | R758-102 | Washer | (M12) | AISI 316 |
| 137 | 1 | 77164F | R761-060-VI | Gasket | 140xØ10x2 DWP/DNP22-30/31/40 | FPM |
| 138 | 1 | | R760-144 | Gasket | Ø158xØ100x2 | |
| 140 | 1 | | R708-362-RZ | Impeller | RW4020/40/BW20 max 252 con30 | |
| | (1) | | R708-362-RZ-25 | Impeller | 250 RW4020/40/BW con30 | |
| | (1) | | R708-362-RZ-24 | Impeller | 240 RW4020/40/BW con30 | |
| | (1) | | R708-362-RZ-23 | Impeller | 230 RW4020/40/BW con30 | |
| | (1) | | R708-362-RZ-22 | Impeller | 225 RW4020/40/BW con30 | |
| | (1) | | R708-362-RZ-22 | Impeller | 220 RW4020/40/BW con30 | |
| | (1) | | R708-362-RZ-21 | Impeller | 215 RW4020/40/BW con30 | |
| | (1) | | R708-362-RZ-21 | Impeller | 210 RW4020/40/BW con30 | |
| | (1) | | R708-362-RZ-20 | Impeller | 205 RW4020/40/BW con30 | |
| | (1) | | R708-362-RZ-20 | Impeller | 200 RW4020/40/BW con30 | |
| | (1) | | R708-362-RZ-19 | Impeller | 195 RW4020/40/BW con30 | |
| | (1) | | R708-362-RZ-19 | Impeller | 190 RW4020/40/BW con30 | |
| | (1) | | R708-362-RZ-18 | Impeller | 185 RW4020/40/BW con30 | |
| | (1) | | R708-362-RZ-18 | Impeller | 185 RW4020/40/BW con30 | |
| | (1) | | R708-362-RZ-18 | Impeller | 180 RW4020/40/BW con30 | |
| | (1) | | R708-362-RZ-17 | Impeller | 175 RW4020/40/BW con30 | |
| | (1) | | R708-362-RZ-17 | Impeller | 173 RW4020/40/BW con30 | |
| | (1) | | R708-362-RZ-17 | Impeller | 170 RW4020/40/BW con30 | |
| | (1) | | R708-362-RZ-24 | Impeller | 240 RW4020/40/BW con30 | |
| | (1) | | R708-362-RZ-16 | Impeller | 165 RW4020/40/BW con30 | |
| | (1) | | R708-362-RZ-16 | Impeller | 160 RW4020/40/BW con30 | |
| | (1) | | R708-362-RZ-15 | Impeller | 150 RW4020/40/BW con30 | |
| | (1) | | R708-362-RZ-14 | Impeller | 140 RW4020/40/BW con30 | |
| 141 | 1 | 706261 | R713-226-RU | Impeller hubcap | ø30xø9x4 | AISI 329 |
| 145 | 1 | 706292 | R754-117 | Hex. sock. screw counter sunk. | M 8x 20 | AISI 316 |
| Supplement support horizontal installation | | | | | | |
| 230 | 1 | | R710-398-STR | Volute support | H BW NW100 hh225 | |
| 231 | 1 | 706224 | R710-402-ST | Volute support | -2 BW BWP | S235JR |
| 232 | 6 | 9B4441 | R754-153 | Hexagon socket screw | M10x 25 | AISI 316 |
| 233 | (2) | 9B4462 | R754-102 | Hexagon socket screw | M16x 30 | |
| 234 | (2) | 9B3907 repl | R758-084 | Washer | (M16) | |
| 235 | (2) | 9B3807 repl | R755-086 | Nut | M16 | |
| 240 | 1 | | R710-401-ST | Bearing housing support | 20 hh225 | |
| | (1) | | R710-404-ST | Bearing housing support | 20 (GP) hh225 | |
| 242 | 2 | 9B4441 repl | R754-027 | Hexagon socket screw | M10x 25 | |
| Supplement Found. plate, coupling and motor IEC100/112 | | | | | | |
| 304 | 1 | | R710-339 | Coupling | J-Flex Spacer 100-IEC100/112 Ø 28/32 | |
| 305 | 1 | 76231S | R710-280-ST | Foundation plate | 1250x560x110 | S235JR |
| 309 | 1 | | R710-428-ST | Protecting hood | BW20/ BT20 IEC100/112 | |
| 310 | 8 | 9B3905 | R758-097 | Washer | (M10) | AISI 316 |

| Pos | Qty | Part nr | Robot nr | Description | Pattern | Material |
|---|-----|--------------------|-------------|----------------------|--|----------|
| 312 | 4 | 9B3046 repl | R753-142 | Hexagon-head bolt | M10x 40 | |
| 313 | 4 | 9B3805 repl | R755-029 | Nut | M10 | |
| 314 | 1 | 9B4494 repl | R754-120 | Hexagon socket screw | M10x 45 | |
| 400 | (1) | IEC112M 4.0-4B3 | R790-003 | Motor | IEC112M 4 kW-4 voet B3 | |
| 401 | (2) | 76681S | R710-424-ST | Motor support | IEC112 hh225 | S235JR |
| Supplement Found. plate, coupling and motor IEC132 | | | | | | |
| 304 | 1 | 9T0704 | R710-344 | Coupling | J-Flex Spacer 110-IEC132S+M Ø 32/38 | |
| 305 | 1 | 76231S | R710-280-ST | Foundation plate | 1250x560x110 | S235JR |
| 309 | 1 | | R710-447-ST | Protecting hood | BW20/ BT20 IEC132 | |
| 310 | 8 | 9B3905 | R758-097 | Washer | (M10) | AISI 316 |
| 312 | 4 | 9B3046 repl | R753-142 | Hexagon-head bolt | M10x 40 | |
| 313 | 4 | 9B3805 repl | R755-029 | Nut | M10 | |
| 314 | 1 | 9B4494 repl | R754-120 | Hexagon socket screw | M10x 45 | |
| 400 | (1) | IEC132S 5.5-4B3 | R790-004 | Motor | IEC132S 5.5 kW-4 voet B3 | |
| | (1) | IEC132M 7.5-4B3 | R790-005 | Motor | IEC132M 7.5 kW-4 voet B3 | |
| 401 | (2) | 76211S | R710-284-ST | Motor support | IEC132 hh225 | S235JR |
| Option Sparepart kit | | | | | | |
| 600 | 1 | 77885E | R506-6000 | Spare part kit | BW20-H/V/K | |

BW2040-H
BW2030-H

Dwg : 506 N1
Date : 04-1997
Page : 1/2
By : PC
Repl. : .



BW2040-H
BW2030-H

