

Basic version

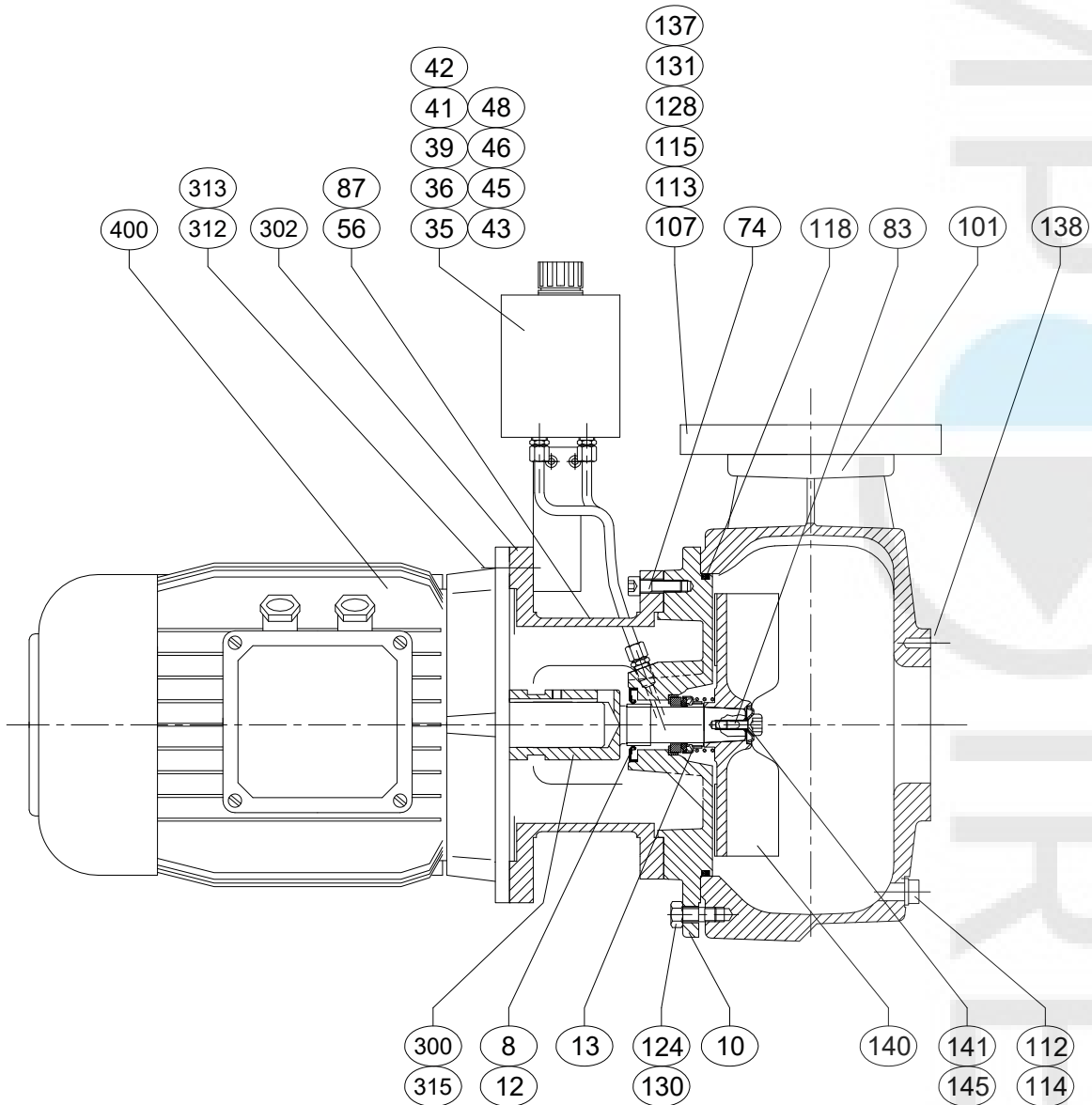
Pos	Qty	Part nr	Robot nr	Description		Pattern	Material
8	1	9D1133	R706-347	Seal sleeve	Ø30 CR 99114		
10	1	706270	R704-157-GG	Seal housing	BW20	P4031	EN-GJL-250
12	1	9D1132	R706-346	Lip seal	Ø30/Ø62x7 CB 30x62x07.64		
13	1	9D2267	R706-318	Mechanical seal	Ø30 NBR / SiC / 1.4571		SiC/SiC/NBR
35	1	706234	R716-071-RV	Oil tank			AISI 304
36	1	706210	R716-086	Filling plug			
39	1	706288	R716-066	Support	BW HS		S235JR
41	2	706233	R716-043	Coupling	RIK 8x1/4"		CuZn 40
42	2	706233	R716-043	Coupling	RIK 8x1/4"		CuZn 40
43	2	9M5530	R716-031	Pipe	Ø8 L=100mm		Cu
45	1	9B4451	R754-183	Hexagon socket screw	M12x 25		AISI 316
46	2	9B4423	R754-141	Hexagon socket screw	M 6 x 20		AISI 316
47	2	9B4722	R758-088	Lock washer	(M 6)		AISI 316
48	2	9B3803	R755-077	Nut	M 6		AISI 316
56	1	77256Z	R713-259-RZ	Data plate	Blanco 87x45x1		
74	4	9B4443	R754-169	Hexagon socket screw	M10x 35		AISI 316
83	1	9B2305	R756-101	Key	6 x 6x20		AISI 316
87	4	9B4202	R757-076	Data plate rivet	2.9x6.5		AISI 316
96	1	9S0033	R906-069	Oil	Shell Tellus 32 2 ltr		
101	1	706268	R701-213-GG	Volute	RW4030-A BW20/4030	P4015	EN-GJL-250
107	1	706279	R712-161-ST	Reducer flange	R100-NW100		S235JR
	(1)		R712-214-ST	Reducer flange	R100-4" ANSI 150		
112	1	9B5310	R709-325	Plug	G 3/8"		CuZn 40
113	1	9B5310	R709-325	Plug	G 3/8"		CuZn 40
114	1	706231	R713-175	Seal ring	A 17x23x1.5 plug G3/8"		Cu
115	1	706231	R713-175	Seal ring	A 17x23x1.5 plug G3/8"		Cu
118	1	9D1368	R751-176	O-ring	249.3x 5.7		NBR
124	4	9B3715	R753-222	Stud bolt	M12 x 30		AISI 316
128	4	9B4456	R754-113	Hexagon socket screw	M12x 50		AISI 316
130	4	9B3806	R755-091	Nut	M12		AISI 316
131	4	9B3806	R755-091	Nut	M12		AISI 316
133	4	9B3906	R758-102	Washer	(M12)		AISI 316
134	4	9B3906	R758-102	Washer	(M12)		AISI 316
137	1	706282	R761-002	Gasket	140xØ105x2		CR
138	1	706281	R760-138	Gasket	Ø158xØ100x3		CR
140	1	W06259	R708-362-NG	Impeller	R/BW4020/40 D/BWP22/42-20/40 con30	P4010	EN-GJS-400-15
	(1)		R708-362-NG-2	Impeller	250 RW4020/40/BW con30		
	(1)		R708-362-NG-2	Impeller	240 RW4020/40/BW con30		
	(1)		R708-362-NG-2	Impeller	235 RW4020/40/BW con30		
	(1)		R708-362-NG-2	Impeller	230 RW4020/40/BW con30		
	(1)		R708-362-NG-2	Impeller	225 RW4020/40/BW con30		
	(1)		R708-362-NG-2	Impeller	220 RW4020/40/BW con30		
	(1)		R708-362-NG-2	Impeller	215 RW4020/40/BW con30		
	(1)		R708-362-NG-2	Impeller	210 RW4020/40/BW con30		
	(1)		R708-362-NG-2	Impeller	205 RW4020/40/BW con30		

Pos	Qty	Part nr	Robot nr	Description	Pattern	Material
140	(1)		R708-362-NG-2	Impeller	200 RW4020/40/BW con30	
	(1)		R708-362-NG-1	Impeller	195 RW4020/40/BW con30	
	(1)		R708-362-NG-1	Impeller	190 RW4020/40/BW con30	
	(1)		R708-362-NG-1	Impeller	185 RW4020/40/BW con30	
	(1)		R708-362-NG-1	Impeller	180 RW4020/40/BW con30	
	(1)		R708-362-NG-1	Impeller	175 RW4020/40/BW con30	
	(1)		R708-362-NG-1	Impeller	170 RW4020/40/BW con30	
	(1)		R708-362-NG-1	Impeller	165 RW4020/40/BW con30	
	(1)		R708-362-NG-1	Impeller	160 RW4020/40/BW con30	
	(1)		R708-362-NG-1	Impeller	150 RW4020/40/BW con30	
	(1)		R708-362-NG-1	Impeller	140 RW4020/40/BW con30	
141	1	706261	R713-226-RU	Impeller hubcap	ø30xø9x4	AISI 329
145	1	706292	R754-117	Hex. sock. screw counter sunk.	M 8x 20	AISI 316
Supplement support horizontal installation						
230	1	706276	R710-398-ST	Volute support	H BW NW100 hh225	S235JR
	(1)		R710-476-ST	Volute support	H BW 4" ANSI 150 hh225	
231	1	706224	R710-402-ST	Volute support	-2 BW BWP	S235JR
232	6	9B4441	R754-027	Hexagon socket screw repl	M10x 25	
233	(2)	9B4462	R754-102	Hexagon socket screw	M16x 30	
234	(2)	9B3907	R758-084	Washer repl	(M16)	
235	(2)	9B3807	R755-086	Nut repl	M16	
Supplement motor support hor. installation IEC132						
240	1	706275	R710-385-ST	Support	IEC132/160/180 hh225	S235JR
242	3	9B4451	R754-183	Hexagon socket screw	M12x 25	AISI 316
Supplement support vertical installation						
230	1	706287	R715-092-ST	Support	V NW100	S235JR
	(1)		R715-105-ST	Support	V 4" ANSI 150 USA ANSI 150	
	(1)	76562S	R712-261-ST	Suction flange	NW100-BWP22-30VS	S235JR
232	6	9B4441	R754-153	Hexagon socket screw	M10x 25	AISI 316
Supplement support, shaft and motor IEC132						
300	1	706269	R703-354-RZ	Pump shaft extension	IEC132 con30/Ø38	AISI 316
302	1	706266	R700-135-GG	Support	IEC132 -HS -VS	P4027 EN-GJL-250
310	4	9B3906	R758-102	Washer	(M12)	AISI 316
313	4	9B3715	R753-222	Stud bolt	M12 x 30	AISI 316
314	4	9B3806	R755-091	Nut	M12	AISI 316
315	1	9B4428	R754-197	Hexagon socket screw	M 8x 12	AISI 316
330	2	706278	R710-494-ST	Protecting shield	BW, BT VK8/St10	Fe galv.
331	4	9B4420	R754-184	Hexagon socket screw	M 6 x 12	AISI 316
400	(1)	9T1523	R790-031-YT	Motor	IEC132M 7.5kW-1450 400/690V 50Hz Flens B5 Incl. PTC IE3	
	(1)	9T1521	R790-054-YT	Motor	IEC132S 3.0kW-960 400/690V 50Hz Flens B5 incl. PTC IE3	
Option: seal flushing						
10	1	76552G	R704-157-GG-F	Seal housing	BWP22-S spoelw/flushing	P4031 EN-GJL-250
250	1	76553Z	R711-171-RZ	Baffle plate	BW20/21/2500	AISI 316
251	1	9M5530	R716-031	Pipe	Ø8 L=100mm	Cu
253	1	9F0353	R716-093	Reducer	R3/8"-R1/4" bu/bi	Fe galv.

Pos	Qty	Part nr	Robot nr	Description	Pattern	Material
254	2	706233	R716-043	Coupling	RIK 8x1/4"	CuZn 40
255	1	9F2502	R716-092	Socket	R1/4"	Fe galv.
Option Sparepart kit						
600	1	77885E	R506-6000	Spare part kit	BW20-H/V/K	

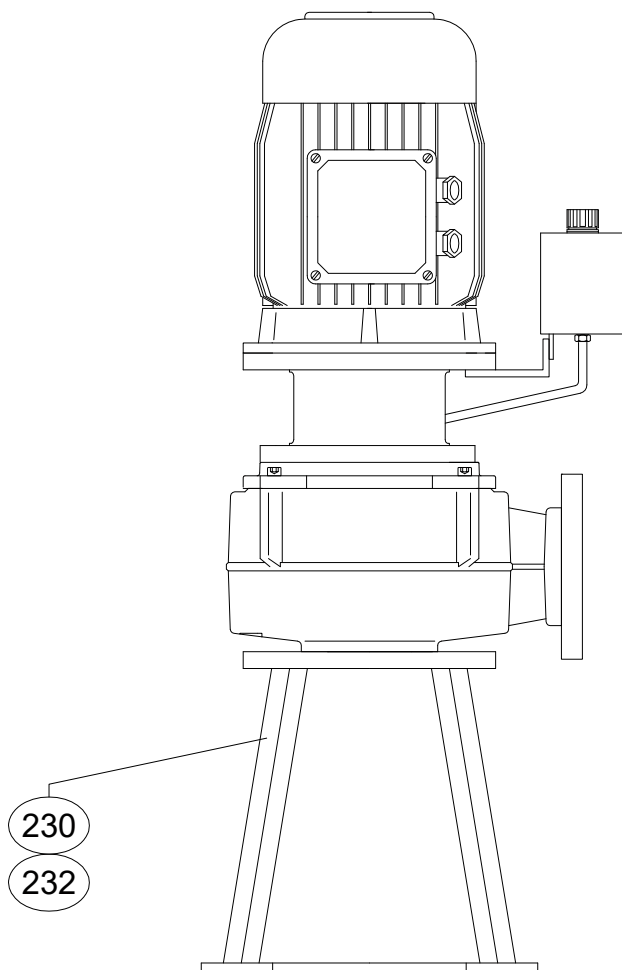


BW2040-S
BW2030-S



BW2040-S
BW2030-S

BW2040-SV
BW2030-SV



BW2040-SH
BW2030-SH

