

Stainless steel version

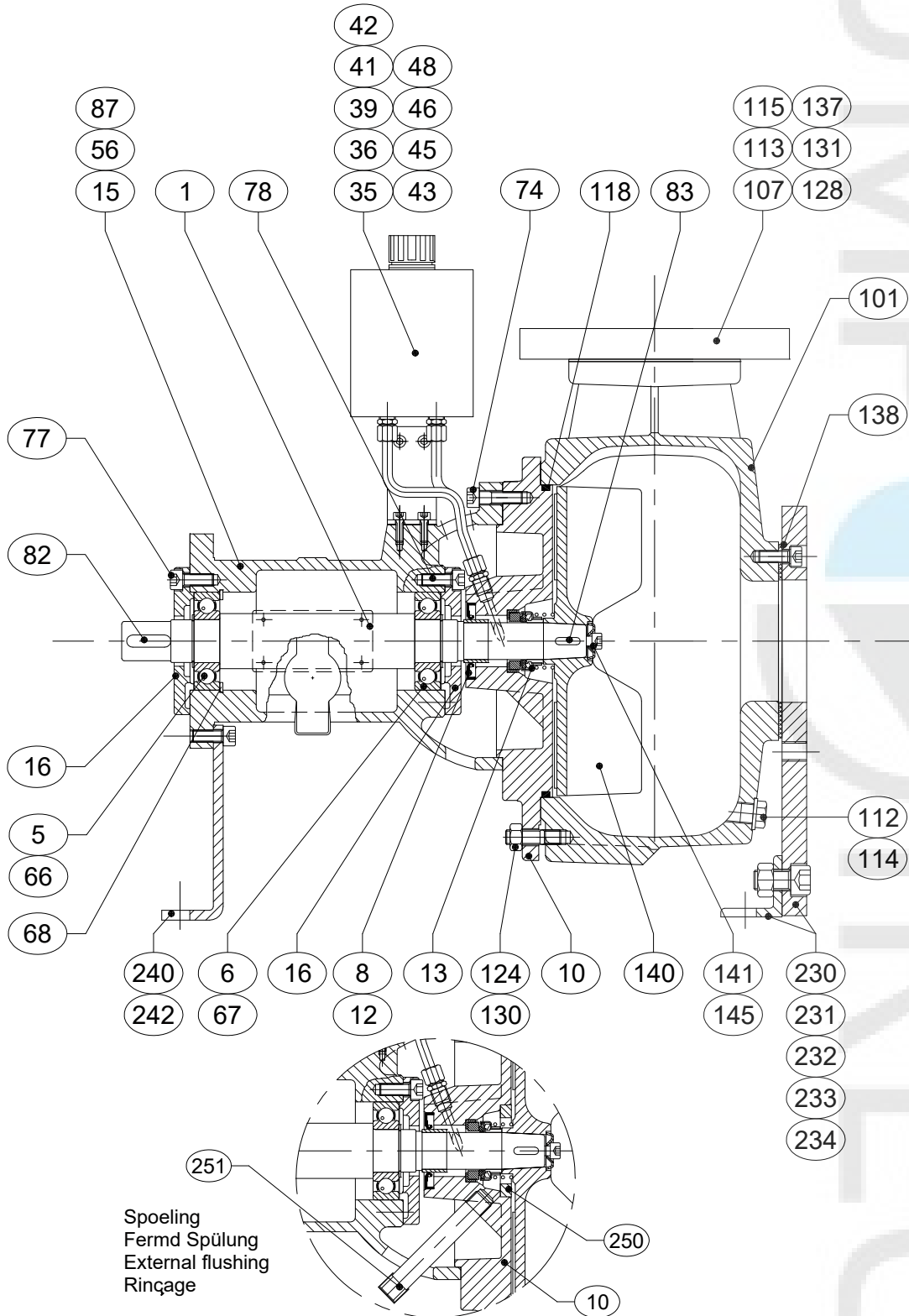
Pos	Qty	Part nr	Robot nr	Description	Pattern	Material
1	1		R703-381-RZ	Pump shaft	BW20 con30/Ø38	
5	1	9L0437	R750-054	Ball bearing	6307-2Z-C3	
6	1	9L0437	R750-054	Ball bearing	6307-2Z-C3	
8	1	9D1133	R706-347	Seal sleeve	Ø30 CR 99114	
10	1	76433U	R704-157-RZ	Seal housing	BW 20/21	P587U AISI 329
12	1	9D1132	R706-346	Lip seal	Ø30/Ø62x7 CB 30x62x07.64	
13	1	9D2269	R706-317	Mechanical seal	Ø30 Viton	SiC/SiC/FPM
15	1		R707-188-GG	Bearing housing	Ø 80	
16	2		R707-192-GG	Bearing housing cover		
49	1	706280	R716-091	Pipe nipple	R1/4"x100	Fe galv.
50	1	9F2502	R716-092	Socket	R1/4"	Fe galv.
51	1	9B5420	R756-139	Plug	R 1/4"	AISI 316
35	1	706234	R716-071-RV	Oil tank		AISI 304
36	1	706210	R716-086	Filling plug		
	1	9B5320	R756-137	Plug	G 1"	PA 66
39	1	706235	R716-072	Bracket	-H	S235JR
41	2	706233	R716-043	Coupling	RIK 8x1/4"	CuZn 40
42	2	706233	R716-043	Coupling	RIK 8x1/4"	CuZn 40
43	2	9M5530	R716-031	Pipe	Ø8 L=100mm	Cu
45	2	9B4423	R754-141	Hexagon socket screw	M 6 x 20	AISI 316
46	2	9B4423	R754-141	Hexagon socket screw	M 6 x 20	AISI 316
47	2	9B4722	R758-088	Lock washer	(M 6)	AISI 316
48	2	9B3803	R755-077	Nut	M 6	AISI 316
56	1	706200	R713-177-RZ	Data plate	BW/BT/BD BWP/BNP	AISI 316
66	1	9B1835	R752-004	Circlip	A 35x1.5	spring steel
67	1	9B1835	R752-004	Circlip	A 35x1.5	spring steel
68	1	9B2080	R752-031	Circlip	J 80x2.5	spring steel
74	4	9B4443 repl	R754-116	Hexagon socket screw	M10x 35	
77	4	9B4441 repl	R754-027	Hexagon socket screw	M10x 25	
78	4	9B4441 repl	R754-027	Hexagon socket screw	M10x 25	
82	1	9B2420	R756-138	Key	10x 8x36	AISI 316
83	1	9B2305	R756-101	Key	6 x 6x20	AISI 316
87	4	9B4202	R757-076	Data plate rivet	2.9x6.5	AISI 316
101	1	76607Z	R701-192-RZ	Volute	RW2030/40 RW4030/40-R	AISI 316
107	1	76606Z	R712-184-RZ	Reducer flange	R100-NW100 PN10	AISI 316
	(1)		R712-214-RZ	Reducer flange	R100-4" ANSI 150	
112	1	9B5311	R756-132	Plug	G 3/8"	AISI 316
113	1	9B5311	R756-132	Plug	G 3/8"	AISI 316
114	1	77083L	R756-147	Seal ring	Ø17x24x2 plug G3/8"	PTFE
115	1	77083L	R756-147	Seal ring	Ø17x24x2 plug G3/8"	PTFE
118	1	9D1314	R751-176-VI	O-ring	249.3x 5.7	Viton
124	4	9B3715	R753-222	Stud bolt	M12 x 30	AISI 316
128	4	9B4455	R754-170	Hexagon socket screw	M12x 45	AISI 316

Pos	Qty	Part nr	Robot nr	Description	Pattern	Material
130	4	9B3806	R755-091	Nut	M12	AISI 316
131	4	9B3806	R755-091	Nut	M12	AISI 316
133	4	9B3906	R758-102	Washer	(M12)	AISI 316
137	1	77164F	R761-060-VI	Gasket	140xØ10x2 DWP/DNP22-30/31/40	FPM
138	1		R760-144	Gasket	Ø158xØ100x2	
140	1		R708-360-RZ	Impeller	RW4030/BW20/4030 con30	
	(1)		R708-360-RZ-25	Impeller	252 RW4030/BW20 con30	
	(1)		R708-360-RZ-24	Impeller	245 RW4030/BW20/4030 con30	
	(1)		R708-360-RZ-23	Impeller	235 RW4030/BW20/4030 con30	
	(1)		R708-360-RZ-21	Impeller	215 RW4030/BW2030 con30	
	(1)		R708-360-RZ-20	Impeller	200 RW4030/BW20/4030 con30	
	(1)		R708-360-RZ-19	Impeller	190 RW4030/BW20/4030 con30	
	(1)		R708-360-RZ-17	Impeller	175 RW4030/BW20 con30	
	(1)		R708-360-RZ-17	Impeller	170 RW4030/BW20/4030 con30	
	(1)		R708-360-RZ-15	Impeller	150 RW4030/BW20 con30	
141	1	706261	R713-226-RU	Impeller hubcap	Ø30xØ9x4	AISI 329
145	1	706292	R754-117	Hex. sock. screw counter sunk.	M 8x 20	AISI 316
Supplement support horizontal installation						
230	1		R710-398-STR	Volute support	H BW NW100 hh225	
231	1	706224	R710-402-ST	Volute support	-2 BW BWP	S235JR
232	6	9B4441	R754-153	Hexagon socket screw	M10x 25	AISI 316
233	(2)	9B4462	R754-102	Hexagon socket screw	M16x 30	
234	(2)	9B3907 repl	R758-084	Washer	(M16)	
235	(2)	9B3807 repl	R755-086	Nut	M16	
240	1		R710-401-ST	Bearing housing support	20 hh225	
	(1)		R710-404-ST	Bearing housing support	20 (GP) hh225	
242	2	9B4441 repl	R754-027	Hexagon socket screw	M10x 25	
Supplement Found. plate, coupling and motor IEC100/112						
304	1		R710-339	Coupling	J-Flex Spacer 100-IEC100/112 Ø 28/32	
305	1	76231S	R710-280-ST	Foundation plate	1250x560x110	S235JR
309	1		R710-428-ST	Protecting hood	BW20/ BT20 IEC100/112	
310	8	9B3905	R758-097	Washer	(M10)	AISI 316
312	4	9B3046 repl	R753-142	Hexagon-head bolt	M10x 40	
313	4	9B3805 repl	R755-029	Nut	M10	
314	1	9B4494 repl	R754-120	Hexagon socket screw	M10x 45	
400	(1)	IEC112M 4.0-4B3	R790-003	Motor	IEC112M 4 kW-4 voet B3	
401	(2)	76681S	R710-424-ST	Motor support	IEC112 hh225	S235JR
Supplement Found. plate, coupling and motor IEC132						
304	1	9T0704	R710-344	Coupling	J-Flex Spacer 110-IEC132S+M Ø 32/38	

Pos	Qty	Part nr	Robot nr	Description	Pattern	Material
305	1	76231S	R710-280-ST	Foundation plate	1250x560x110	S235JR
309	1		R710-447-ST	Protecting hood	BW20/ BT20 IEC132	
310	8	9B3905	R758-097	Washer	(M10)	AISI 316
312	4	9B3046 repl	R753-142	Hexagon-head bolt	M10x 40	
313	4	9B3805 repl	R755-029	Nut	M10	
314	1	9B4494 repl	R754-120	Hexagon socket screw	M10x 45	
400	(1)	IEC132S 5.5-4B3	R790-004	Motor	IEC132S 5.5 kW-4 voet B3	
	(1)	IEC132M 7.5-4B3	R790-005	Motor	IEC132M 7.5 kW-4 voet B3	
401	(2)	76211S	R710-284-ST	Motor support	IEC132 hh225	S235JR
Option Sparepart kit						
600	1	77885E	R506-6000	Spare part kit	BW20-H/V/K	

BW2040-H
BW2030-H

Dwg : 506 N1
Date : 04-1997
Page : 1/2
By : PC
Repl. : .



BW2040-H
BW2030-H

