

Basic version

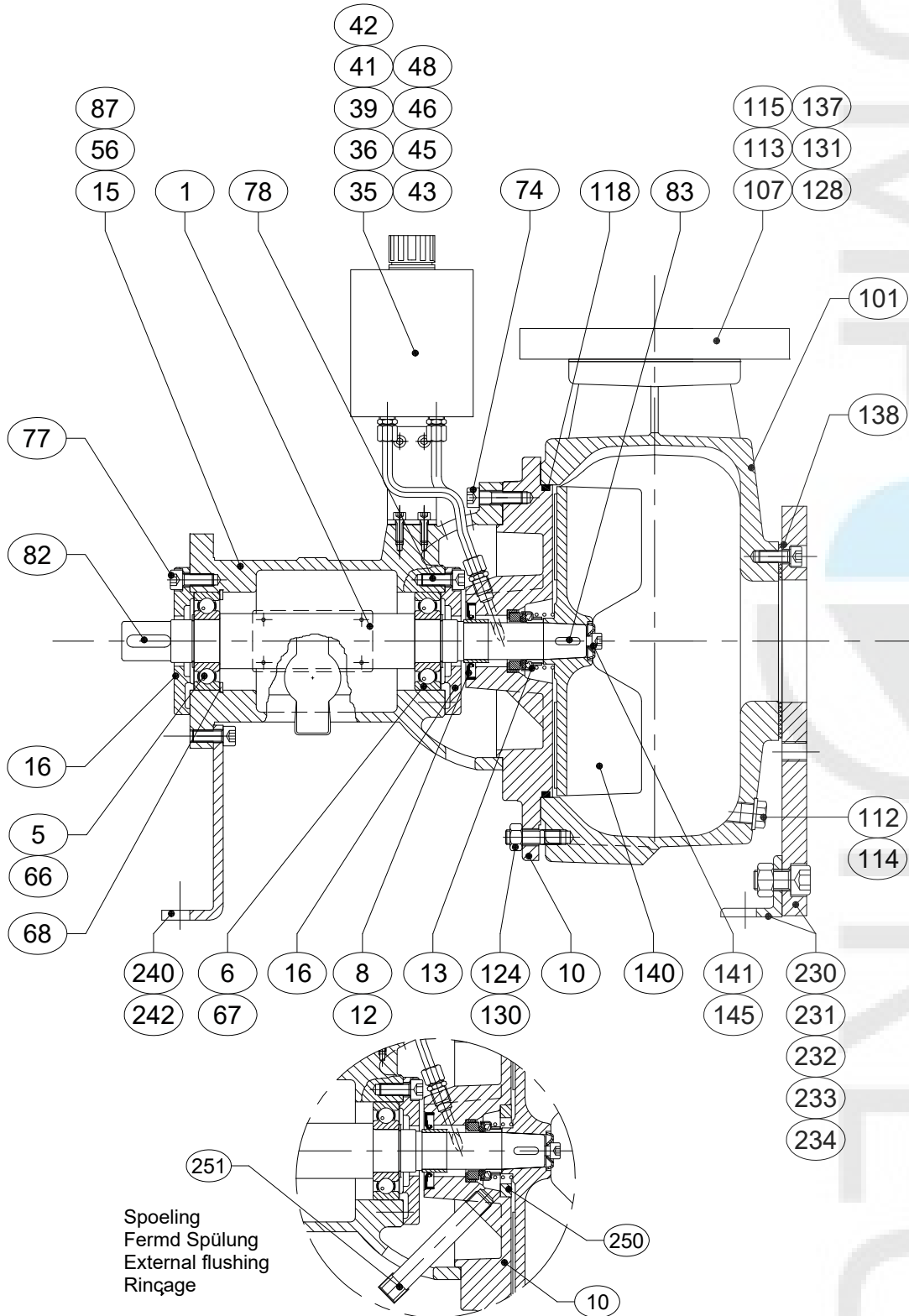
Pos	Qty	Part nr	Robot nr	Description		Pattern	Material
1	1		R703-381-RM	Pump shaft	BW20 con30/Ø38		
5	1	9L0437	R750-054	Ball bearing	6307-2Z-C3		
6	1	9L0437	R750-054	Ball bearing	6307-2Z-C3		
8	1	9D1133	R706-347	Seal sleeve	Ø30 CR 99114		
10	1	706270	R704-157-GG	Seal housing	BW20	P4031	EN-GJL-250
12	1	9D1132	R706-346	Lip seal	Ø30/Ø62x7 CB 30x62x07.64		
13	1	9D2267	R706-318	Mechanical seal	Ø30 NBR / SiC / 1.4571		SiC/SiC/NBR
15	1		R707-188-GG	Bearing housing	Ø 80		
16	2		R707-192-GG	Bearing housing cover			
35	1	706234	R716-071-RV	Oil tank			AISI 304
36	1	706210	R716-086	Filling plug			
	1	9B5320	R756-137	Plug	G 1"		PA 66
39	1	706235	R716-072	Bracket	-H		S235JR
41	2	706233	R716-043	Coupling	RIK 8x1/4"		CuZn 40
42	2	706233	R716-043	Coupling	RIK 8x1/4"		CuZn 40
43	2	9M5530	R716-031	Pipe	Ø8 L=100mm		Cu
45	2	9B4423	R754-141	Hexagon socket screw	M 6 x 20		AISI 316
46	2	9B4423	R754-141	Hexagon socket screw	M 6 x 20		AISI 316
47	2	9B4722	R758-088	Lock washer	(M 6)		AISI 316
48	2	9B3803	R755-077	Nut	M 6		AISI 316
56	1	706200	R713-177-RZ	Data plate	BW/BT/BD BWP/BNP		AISI 316
66	1	9B1835	R752-004	Circlip	A 35x1.5		spring steel
67	1	9B1835	R752-004	Circlip	A 35x1.5		spring steel
68	1	9B2080	R752-031	Circlip	J 80x2.5		spring steel
74	4	9B4443 repl	R754-116	Hexagon socket screw	M10x 35		
77	4	9B4441 repl	R754-027	Hexagon socket screw	M10x 25		
78	4	9B4441 repl	R754-027	Hexagon socket screw	M10x 25		
82	1	9B2420	R756-138	Key	10x 8x36		AISI 316
83	1	9B2305	R756-101	Key	6 x 6x20		AISI 316
87	4	9B4202	R757-076	Data plate rivet	2.9x6.5		AISI 316
101	1	706268	R701-213-GG	Volute	RW4030-A BW20/4030	P4015	EN-GJL-250
107	1	706279	R712-161-ST	Reducer flange	R100-NW100		S235JR
	(1)		R712-214-ST	Reducer flange	R100-4" ANSI 150		
112	1	9B5310	R709-325	Plug	G 3/8"		CuZn 40
113	1	9B5310	R709-325	Plug	G 3/8"		CuZn 40
114	1	706231	R713-175	Seal ring	A 17x23x1.5 plug G3/8"		Cu
115	1	706231	R713-175	Seal ring	A 17x23x1.5 plug G3/8"		Cu
118	1	9D1368	R751-176	O-ring	249.3x 5.7		NBR
124	4	9B3715	R753-222	Stud bolt	M12 x 30		AISI 316
128	4	9B4456	R754-113	Hexagon socket screw	M12x 50		AISI 316
130	4	9B3806	R755-091	Nut	M12		AISI 316
131	4	9B3806	R755-091	Nut	M12		AISI 316
133	4	9B3906	R758-102	Washer	(M12)		AISI 316

Pos	Qty	Part nr	Robot nr	Description		Pattern	Material
134	4	9B3906	R758-102	Washer	(M12)		AISI 316
137	1	706282	R761-002	Gasket	140xØ105x2		CR
138	1	706281	R760-138	Gasket	Ø158xØ100x3		CR
140	1	W06272	R708-360-NG	Impeller	RW4030/BW20/4030 con30	P4017	EN-GJS-400-15
	(1)		R708-360-NG-2	Impeller	252 RW4030/BW20 con30		
	(1)		R708-360-NG-2	Impeller	245 RW4030/BW20 con30		
	(1)		R708-360-NG-2	Impeller	235 RW4030/BW20 con30		
	(1)		R708-360-NG-2	Impeller	232 RW4030/BW20 con30		
	(1)		R708-360-NG-2	Impeller	230 RW4030/BW20 con30		
	(1)		R708-360-NG-2	Impeller	225 RW4030/BW20 con30		
	(1)		R708-360-NG-2	Impeller	215 RW4030/BW20 con30		
	(1)		R708-360-NG-2	Impeller	205 RW4030/BW20 con30		
	(1)		R708-360-NG-2	Impeller	200 RW4030/BW20 con30		
	(1)		R708-360-NG-1	Impeller	190 RW4030/BW20 con30		
	(1)		R708-360-NG-1	Impeller	175 RW4030/BW20 con30		
	(1)		R708-360-NG-1	Impeller	170 RW4030/BW20 con30		
	(1)		R708-360-NG-1	Impeller	150 RW4030/BW20 con30		
141	1	706261	R713-226-RU	Impeller hubcap	ø30xø9x4		AISI 329
145	1	706292	R754-117	Hex. sock. screw counter sunk.	M 8x 20		AISI 316
<b>Supplement support horizontal installation</b>							
230	1	706276	R710-398-ST	Volute support	H BW NW100 hh225		S235JR
	(1)		R710-476-ST	Volute support	H BW 4" ANSI 150 hh225		
231	1	706224	R710-402-ST	Volute support	-2 BW BWP		S235JR
232	6	9B4441 repl	R754-027	Hexagon socket screw	M10x 25		
233	(2)	9B4462	R754-102	Hexagon socket screw	M16x 30		
234	(2)	9B3907 repl	R758-084	Washer	(M16)		
235	(2)	9B3807 repl	R755-086	Nut	M16		
240	1		R710-401-ST	Bearing housing support	20 hh225		
	(1)		R710-404-ST	Bearing housing support	20 (GP) hh225		
242	2	9B4441 repl	R754-027	Hexagon socket screw	M10x 25		
<b>Supplement Found. plate, coupling and motor IEC100/112</b>							
304	1		R710-339	Coupling	J-Flex Spacer 100-IEC100/112 Ø 28/32		
305	1	76231S	R710-280-ST	Foundation plate	1250x560x110		S235JR
309	1		R710-428-ST	Protecting hood	BW20/ BT20 IEC100/112		
310	8	9B3905	R758-097	Washer	(M10)		AISI 316
312	4	9B3046 repl	R753-142	Hexagon-head bolt	M10x 40		
313	4	9B3805 repl	R755-029	Nut	M10		
314	1	9B4494 repl	R754-120	Hexagon socket screw	M10x 45		
400	(1)	IEC112M 4.0-4B3	R790-003	Motor	IEC112M 4 kW-4 voet B3		
401	(2)	76680S	R710-458-ST	Motor support	IEC100 hh225		S235JR
401	(2)	76681S	R710-424-ST	Motor support	IEC112 hh225		S235JR

Pos	Qty	Part nr	Robot nr	Description	Pattern	Material
<b>Supplement Found. plate, coupling and motor IEC132</b>						
304	1	9T0704	R710-344	Coupling	J-Flex Spacer 110-IEC132S+M Ø 32/38	
305	1	76231S	R710-280-ST	Foundation plate	1250x560x110	S235JR
309	1		R710-447-ST	Protecting hood	BW20/ BT20 IEC132	
310	8	9B3905	R758-097	Washer	(M10)	AISI 316
312	4	9B3046 repl	R753-142	Hexagon-head bolt	M10x 40	
313	4	9B3805 repl	R755-029	Nut	M10	
314	1	9B4494 repl	R754-120	Hexagon socket screw	M10x 45	
400	(1)	IEC132S 5.5-4B3	R790-004	Motor	IEC132S 5.5 kW-4 voet B3	
	(1)	IEC132M 7.5-4B3	R790-005	Motor	IEC132M 7.5 kW-4 voet B3	
401	(2)	76211S	R710-284-ST	Motor support	IEC132 hh225	S235JR
<b>Option: seal flushing</b>						
10	1	76552G	R704-157-GG-F	Seal housing	BWP22-S spoelw/flushing	P4031 EN-GJL-250
250	1	76553Z	R711-171-RZ	Baffle plate	BW20/21/2500	AISI 316
251	1	706232	R716-029	Pipe nipple	R3/8 x 150	AISI 316
<b>Option Sparepart kit</b>						
600	1	77885E	R506-6000	Spare part kit	BW20-H/V/K	

BW2040-H  
BW2030-H

Dwg : 506 N1  
Date : 04-1997  
Page : 1/2  
By : PC  
Repl. : .



BW2040-H  
BW2030-H

