

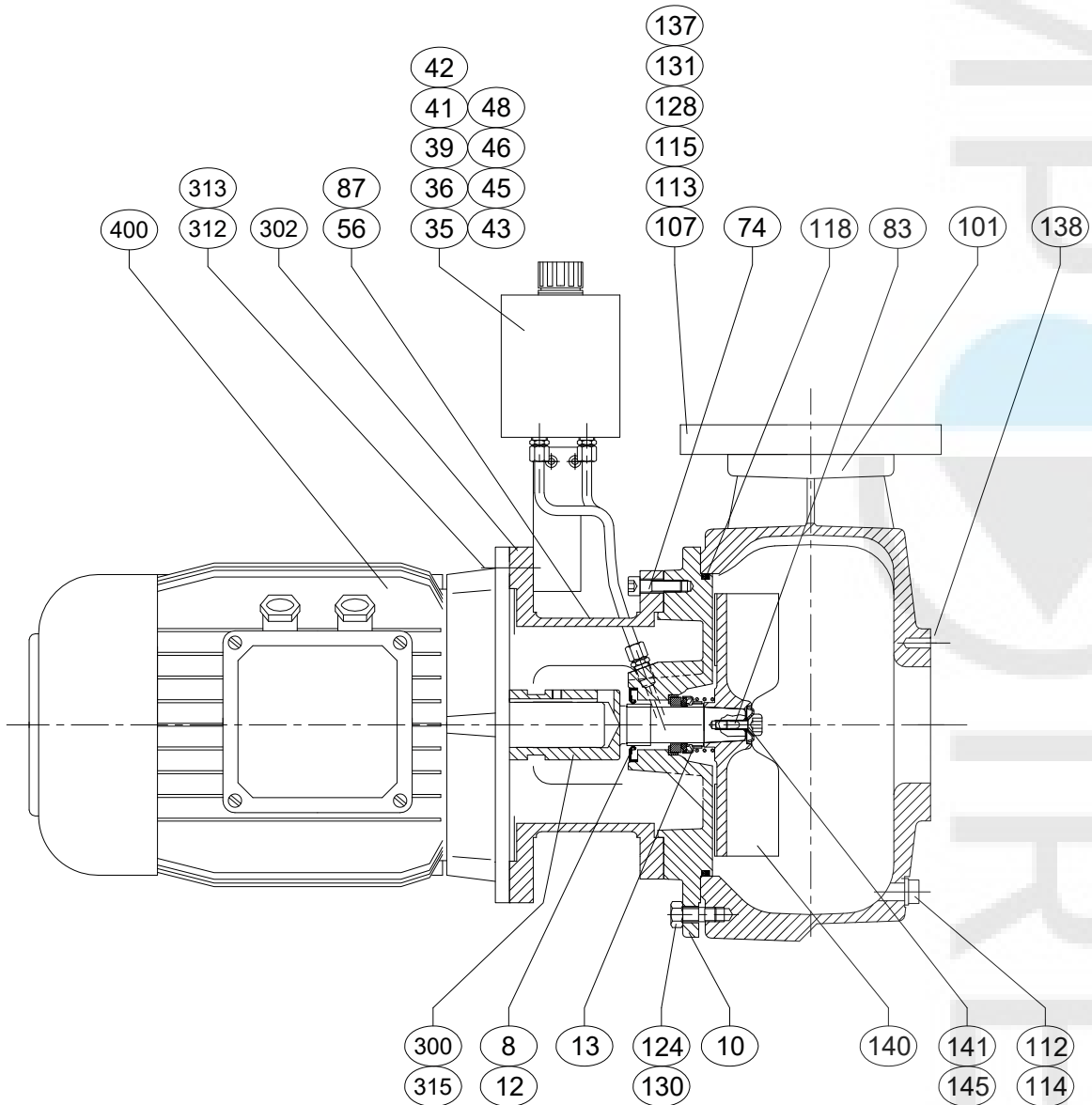
Stainless steel version

Pos	Qty	Part nr	Robot nr	Description		Pattern	Material
8	1	9D1133	R706-347	Seal sleeve	Ø30 CR 99114		
10	1	76433U	R704-157-RZ	Seal housing	BW 20/21	P587U	AISI 329
12	1	9D1132	R706-346	Lip seal	Ø30/Ø62x7 CB 30x62x07.64		
13	1	9D2269	R706-317	Mechanical seal	Ø30 Viton		SiC/SiC/FPM
35	1	706234	R716-071-RV	Oil tank			AISI 304
36	1	706210	R716-086	Filling plug			
39	(1)	706288	R716-066	Support	BW HS		S235JR
	(1)	706289	R716-067-ST	Support	BW-VS		S235JR
41	2	706233	R716-043	Coupling	RIK 8x1/4"		CuZn 40
42	2	706233	R716-043	Coupling	RIK 8x1/4"		CuZn 40
43	2	9M5530	R716-031	Pipe	Ø8 L=100mm		Cu
45	1	9B4451 repl	R754-112	Hexagon socket screw	M12x 25		
46	2	9B4423 repl	R754-082	Hexagon socket screw	M 6 x 20		
47	2	9B4722 repl	R758-079	Lock washer	(M 6)		
48	2	9B3803 repl	R755-032	Nut	M 6		
51	1	9B5420	R756-139	Plug	R 1/4"		AISI 316
56	1	706200	R713-177-RZ	Data plate	BW/BT/BD BWP/BNP		AISI 316
74	4	9B4443	R754-169	Hexagon socket screw	M10x 35		AISI 316
83	1	9B2305	R756-101	Key	6 x 6x20		AISI 316
87	4	9B4202	R757-076	Data plate rivet	2.9x6.5		AISI 316
101	1	76607Z	R701-192-RZ	Volute	RW2030/40 RW4030/40-R		AISI 316
107	1	76606Z	R712-184-RZ	Reducer flange	R100-NW100 PN10		AISI 316
	(1)		R712-214-RZ	Reducer flange	R100-4" ANSI 150		
112	1	9B5311	R756-132	Plug	G 3/8"		AISI 316
113	1	9B5311	R756-132	Plug	G 3/8"		AISI 316
114	1	77083L	R756-147	Seal ring	Ø17x24x2 plug G3/8"		PTFE
115	1	77083L	R756-147	Seal ring	Ø17x24x2 plug G3/8"		PTFE
118	1	9D1314	R751-176-VI	O-ring	249.3x 5.7		Viton
124	4	9B3715	R753-222	Stud bolt	M12 x 30		AISI 316
128	4	9B4455	R754-170	Hexagon socket screw	M12x 45		AISI 316
130	4	9B3806	R755-091	Nut	M12		AISI 316
131	4	9B3806	R755-091	Nut	M12		AISI 316
133	4	9B3906	R758-102	Washer	(M12)		AISI 316
137	1	77164F	R761-060-VI	Gasket	140xØ10x2 DWP/DNP22-30/31/40		FPM
138	1		R760-144	Gasket	Ø158xØ100x2		
140	1		R708-360-RZ	Impeller	RW4030/BW20/4030 con30		
	(1)		R708-360-RZ-25	Impeller	252 RW4030/BW20 con30		
	(1)		R708-360-RZ-24	Impeller	245 RW4030/BW20/4030 con30		
	(1)		R708-360-RZ-23	Impeller	235 RW4030/BW20/4030 con30		
	(1)		R708-360-RZ-21	Impeller	215 RW4030/BW2030 con30		
	(1)		R708-360-RZ-20	Impeller	200 RW4030/BW20/4030 con30		

Pos	Qty	Part nr	Robot nr	Description	Pattern	Material
140	(1)		R708-360-RZ-19	Impeller	190 RW4030/BW20/4030 con30	
	(1)		R708-360-RZ-17	Impeller	175 RW4030/BW20 con30	
	(1)		R708-360-RZ-17	Impeller	170 RW4030/BW20/4030 con30	
	(1)		R708-360-RZ-15	Impeller	150 RW4030/BW20 con30	
141	1	706261	R713-226-RU	Impeller hubcap	ø30xø9x4	AISI 329
145	1	706292	R754-117	Hex. sock. screw counter sunk.	M 8x 20	AISI 316
Supplement support horizontal installation						
230	1		R710-398-STR	Volute support	H BW NW100 hh225	
231	1	706224	R710-402-ST	Volute support	-2 BW BWP	S235JR
232	6	9B4441	R754-153	Hexagon socket screw	M10x 25	AISI 316
233	(2)	9B4462	R754-102	Hexagon socket screw	M16x 30	
234	(2)	9B3907 repl	R758-084	Washer	(M16)	
235	(2)	9B3807 repl	R755-086	Nut	M16	
Supplement motor support hor. installation IEC132						
240	1	706275	R710-385-ST	Support	IEC132/160/180 hh225	S235JR
242	3	9B4451	R754-183	Hexagon socket screw	M12x 25	AISI 316
Supplement support hor. installation IEC100/112						
240	1	706286	R710-426-ST	Support	IEC100/112 hh225	S235JR
242	3	9B4451	R754-183	Hexagon socket screw	M12x 25	AISI 316
Supplement support vertical installation						
230	1		R715-097-RZ	Support	V NW100	
232	6	9B4441	R754-153	Hexagon socket screw	M10x 25	AISI 316
Supplement support, shaft and motors IEC100/112						
300	1	76534Z	R703-353-RZ	Pump shaft extension	IEC100/112 con30/Ø28	AISI 316
302	1	706284	R700-129-GG	Support	IEC100/112	P4027 EN-GJL-250
310	4	9B3906 repl	R758-095	Washer	(M12)	
313	4	9B3715	R753-222	Stud bolt	M12 x 30	AISI 316
314	4	9B3806 repl	R755-083	Nut	M12	
315	1	9B4428 repl	R754-157	Hexagon socket screw	M 8x 12	
330	2	706278	R710-494-ST	Protecting shield	BW, BT VK8/St10	Fe galv.
331	4	9B4420 repl	R754-026	Hexagon socket screw	M 6 x 12	
400	(1)	IEC100L 2.2-4B5	R790-027	Motor	IEC100L 2.2 kW-4 Flens B5	
	(1)	9T1555	R790-028	Motor	IEC100L 3 kW-4 Flens B5	
	(1)	IEC112M 4.0-4B5	R790-029	Motor	IEC112M 4 kW-4 Flens B5	
	(1)	IEC100L 2.2-4V1	R790-014	Motor	IEC100L 2.2 kW-4 Flens V1	
	(1)	IEC100L 3.0-4V1	R790-015	Motor	IEC100L 3 kW-4 Flens V1	
	(1)	IEC112M 4.0-4V1	R790-016	Motor	IEC112M 4 kW-4 Flens V1	
408	1	9B2430	R756-062	Roll pin	4x16	AISI 316
Supplement support, shaft and motor IEC132						
300	1	706269	R703-354-RZ	Pump shaft extension	IEC132 con30/Ø38	AISI 316
302	1	706266	R700-135-GG	Support	IEC132 -HS -VS	P4027 EN-GJL-250

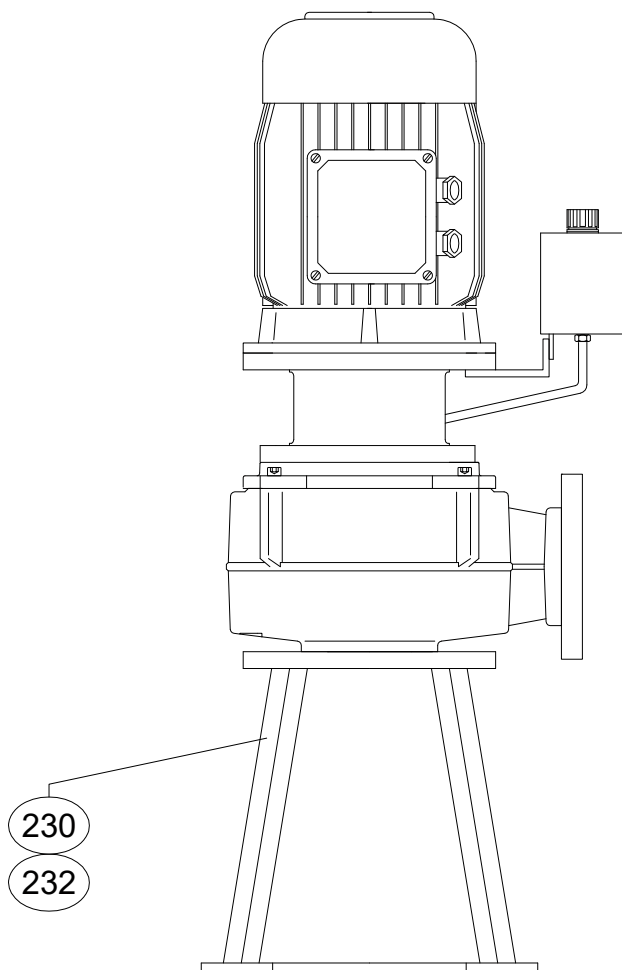
Pos	Qty	Part nr	Robot nr	Description	Pattern	Material
310	4	9B3906 repl	R758-095	Washer	(M12)	
313	4	9B3715	R753-222	Stud bolt	M12 x 30	AISI 316
314	4	9B3806 repl	R755-083	Nut	M12	
315	1	9B4428 repl	R754-157	Hexagon socket screw	M 8x 12	
330	2	706278	R710-494-ST	Protecting shield	BW, BT VK8/St10	Fe galv.
331	4	9B4420 repl	R754-026	Hexagon socket screw	M 6 x 12	
400	(1)	IEC132S 5.5-4B5	R790-017	Motor	IEC132S 5.5 kW-4 Flens B5	
	(1)	IEC132M 7.5-4B5	R790-018	Motor	IEC132M 7.5 kW-4 Flens B5	
408	1	9B2430	R756-062	Roll pin	4x16	AISI 316
Option Sparepart kit						
600	1	77885E	R506-6000	Spare part kit	BW20-H/V/K	

BW2040-S
BW2030-S



BW2040-S
BW2030-S

BW2040-SV
BW2030-SV



BW2040-SH
BW2030-SH

