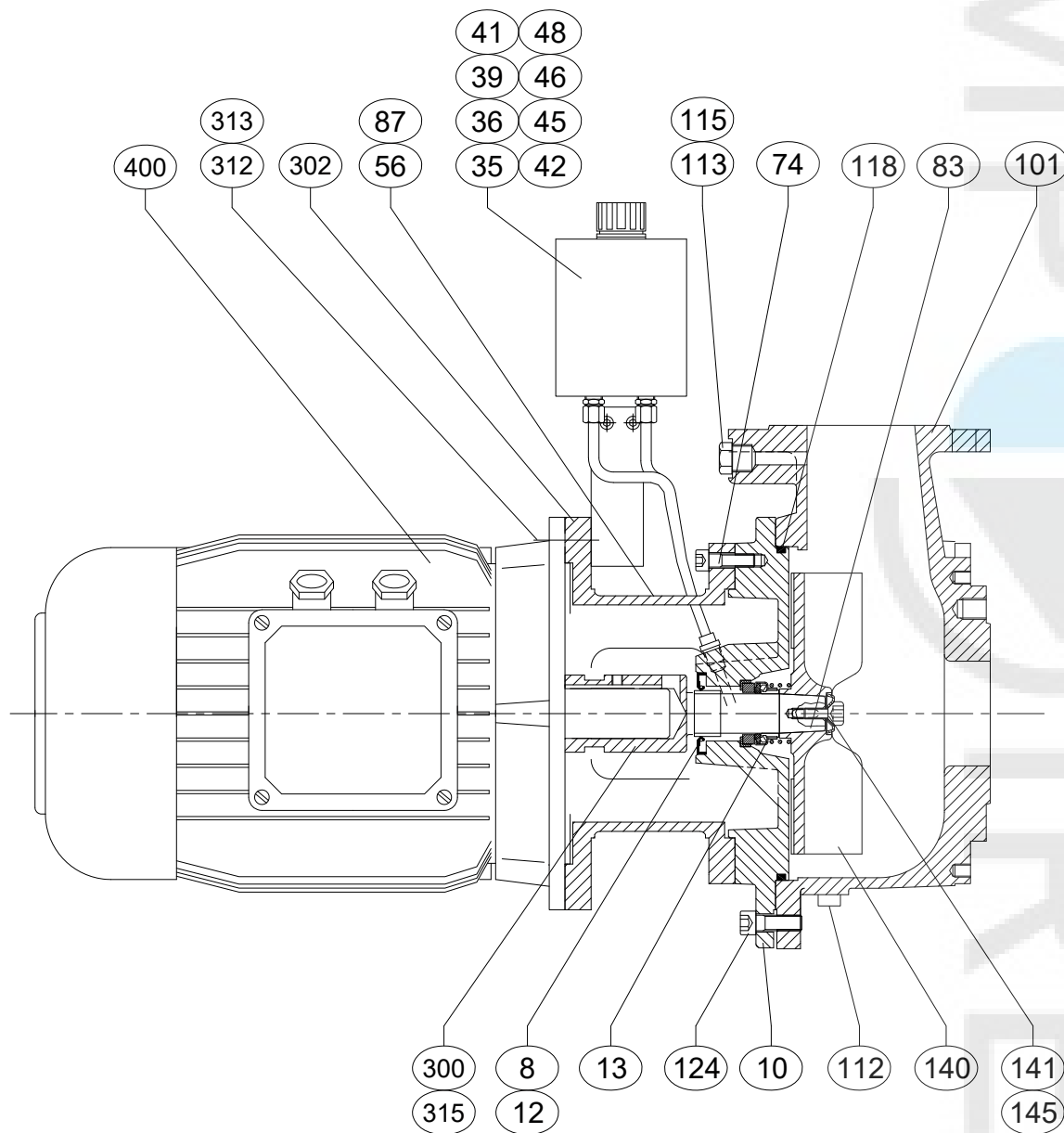


Stainless steel version

Pos	Qty	Part nr	Robot nr	Description		Pattern	Material
8	1	9D1133	R706-347	Seal sleeve	Ø30 CR 99114		
10	1	76433U	R704-157-RZ	Seal housing	BW 20/21	P587U	AISI 329
12	1	9D1132	R706-346	Lip seal	Ø30/Ø62x7 CB 30x62x07.64		
13	1	9D2269	R706-317	Mechanical seal	Ø30 Viton		SiC/SiC/FPM
35	1	706234	R716-071-RV	Oil tank			AISI 304
36	1	706210	R716-086	Filling plug			
39	(1)	706288	R716-066	Support	BW HS		S235JR
	(1)	706289	R716-067-ST	Support	BW-VS		S235JR
41	2	706233	R716-043	Coupling	RIK 8x1/4"		CuZn 40
42	2	706233	R716-043	Coupling	RIK 8x1/4"		CuZn 40
43	2	9M5530	R716-031	Pipe	Ø8 L=100mm		Cu
45	1	9B4451 repl	R754-112	Hexagon socket screw	M12x 25		
46	2	9B4423 repl	R754-082	Hexagon socket screw	M 6 x 20		
47	2	9B4722 repl	R758-079	Lock washer	(M 6)		
48	2	9B3803 repl	R755-032	Nut	M 6		
51	1	9B5420	R756-139	Plug	R 1/4"		AISI 316
56	1	706200	R713-177-RZ	Data plate	BW/BT/BD BWP/BNP		AISI 316
74	4	9B4443	R754-169	Hexagon socket screw	M10x 35		AISI 316
83	1	9B2305	R756-101	Key	6 x 6x20		AISI 316
87	4	9B4202	R757-076	Data plate rivet	2.9x6.5		AISI 316
101	1	76364U	R701-157-RU	Volute	BW20/21 8G NW 80	P475U	AISI329
112	1	9B5311	R756-132	Plug	G 3/8"		AISI 316
113	1	9B5312	R756-123	Plug	G 1/2"		AISI 316
114	1	77083L	R756-147	Seal ring	Ø17x24x2 plug G3/8"		PTFE
115	1	77082L	R756-148	Seal ring	Ø21xØ27x2 (G1/2")		PTFE
118	1	9D1314	R751-176-VI	O-ring	249.3x 5.7		Viton
124	4	9B4453	R754-182	Hexagon socket screw	M12x 35		AISI 316
140	1		R708-369-RZ	Impeller	RW4021/31/32 con30		
	(1)		R708-369-RZ-17	Impeller	178 RW4021/31/32 con30		
	(1)		R708-369-RZ-17	Impeller	176 RW4021/31/32 con30		
	(1)		R708-369-RZ-17	Impeller	170 RW4021/31/32 con30		
	(1)		R708-369-RZ-16	Impeller	165 RW4021/31/32 con30		
	(1)		R708-369-RZ-16	Impeller	160 RW4021/31/32 con30		
	(1)		R708-369-RZ-15	Impeller	155 RW4021/31/32 con30		
	(1)		R708-369-RZ-15	Impeller	150 RW4021/31/32 con30		
	(1)		R708-369-RZ-14	Impeller	145 RW4021/31/32 con30		
	(1)		R708-369-RZ-14	Impeller	140 RW4021/31/32 con30		
	(1)		R708-369-RZ-13	Impeller	135 RW4021/31/32 con30		
	(1)		R708-369-RZ-13	Impeller	130 RW4021/31/32 con30		
	(1)		R708-369-RZ-12	Impeller	125 RW4021/31/32 con30		
	(1)		R708-369-RZ-12	Impeller	120 RW4021/31/32 con30		
	(1)		R708-369-RZ-11	Impeller	110 RW4021/31/32 con30		
141	1	706261	R713-226-RU	Impeller hubcap	ø30xø9x4		AISI 329

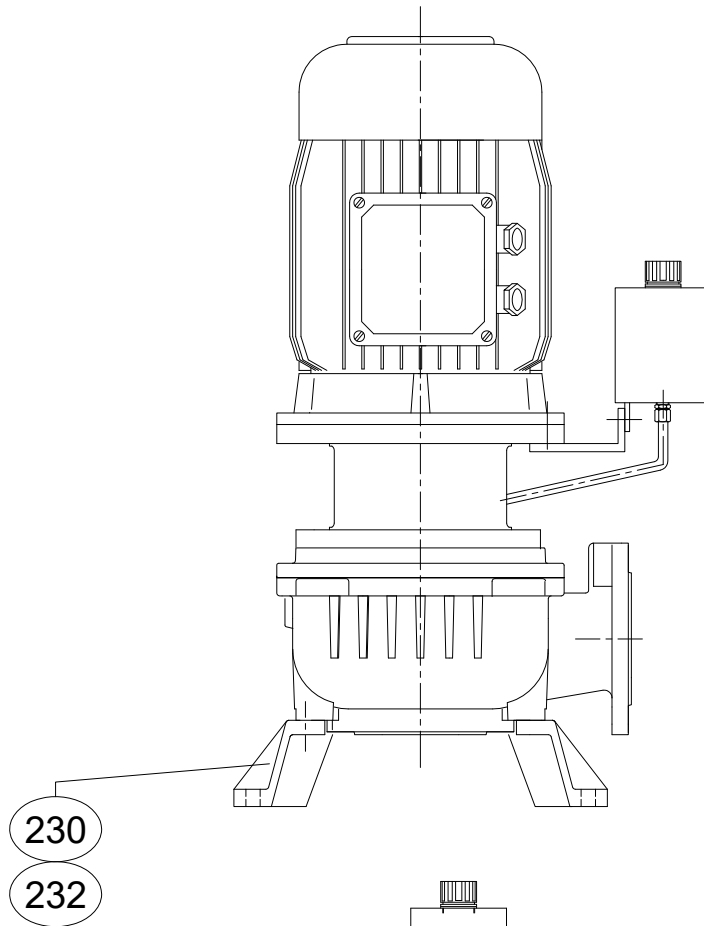
Pos	Qty	Part nr	Robot nr	Description		Pattern	Material
145	1	706292	R754-117	Hex. sock. screw counter sunk.	M 8x 20		AISI 316
Supplement support, shaft and motors IEC132-2 pole							
300	1	706269	R703-354-RZ	Pump shaft extension	IEC132 con30/Ø38		AISI 316
302	1	706266	R700-135-GG	Support	IEC132 -HS -VS	P4027	EN-GJL-250
310	4	9B3906 repl	R758-095	Washer	(M12)		
313	4	9B3715	R753-222	Stud bolt	M12 x 30		AISI 316
314	4	9B3806 repl	R755-083	Nut	M12		
315	1	9B0523	R754-028	Hexagon socket screw	M 8x 16		AISI 316
330	2	706278	R710-494-ST	Protecting shield	BW, BT VK8/St10		Fe galv.
331	4	9B4420 repl	R754-026	Hexagon socket screw	M 6 x 12		
400	(1)	IEC132S 5.5-2B5	R790-034	Motor	IEC132S 5.5kW-2 Flens B5		
	(1)		R790-035	Motor	IEC132S 7.5 kW-2 Flens B5		
	(1)		R790-021	Motor	IEC132S 5.5 kW-2 Flens V1		
	(1)	9T1540	R790-022-YT	Motor	IEC132S 7.5kW-2900 400/690V 50Hz Flens B5 Incl. PTC IE3		
408	1	9B2430	R756-062	Roll pin	4x16		AISI 316
Supplement support hor. installation IEC132							
240	1	76225S	R710-205-ST	Support	H IEC 132 hh180		S235JR
242	3	9B4451	R754-183	Hexagon socket screw	M12x 25		AISI 316
Supplement support horizontal installation							
230	1	706290	R710-196-ST	Volute support	H hh180		S235JR
	(1)	76259S	R710-299-ST	Volute support	H (GP) hh180		S235JR
232	3	9B4440 repl	R754-092	Hexagon socket screw	M10x 20		
Supplement support vertical installation							
230	1	76345G	R710-098-GG	Volute support	V-laag	P574G	EN-GJL-250
232	6	9B4441 repl	R754-027	Hexagon socket screw	M10x 25		
Option Sparepart kit							
600	1	77885E	R506-6000	Spare part kit	BW20-H/V/K		

BW2021-S
BW2020-S



BW2021-S
BW2020-S

BW2020-SV
BW2021-SV



BW2020-SH
BW2021-SH

