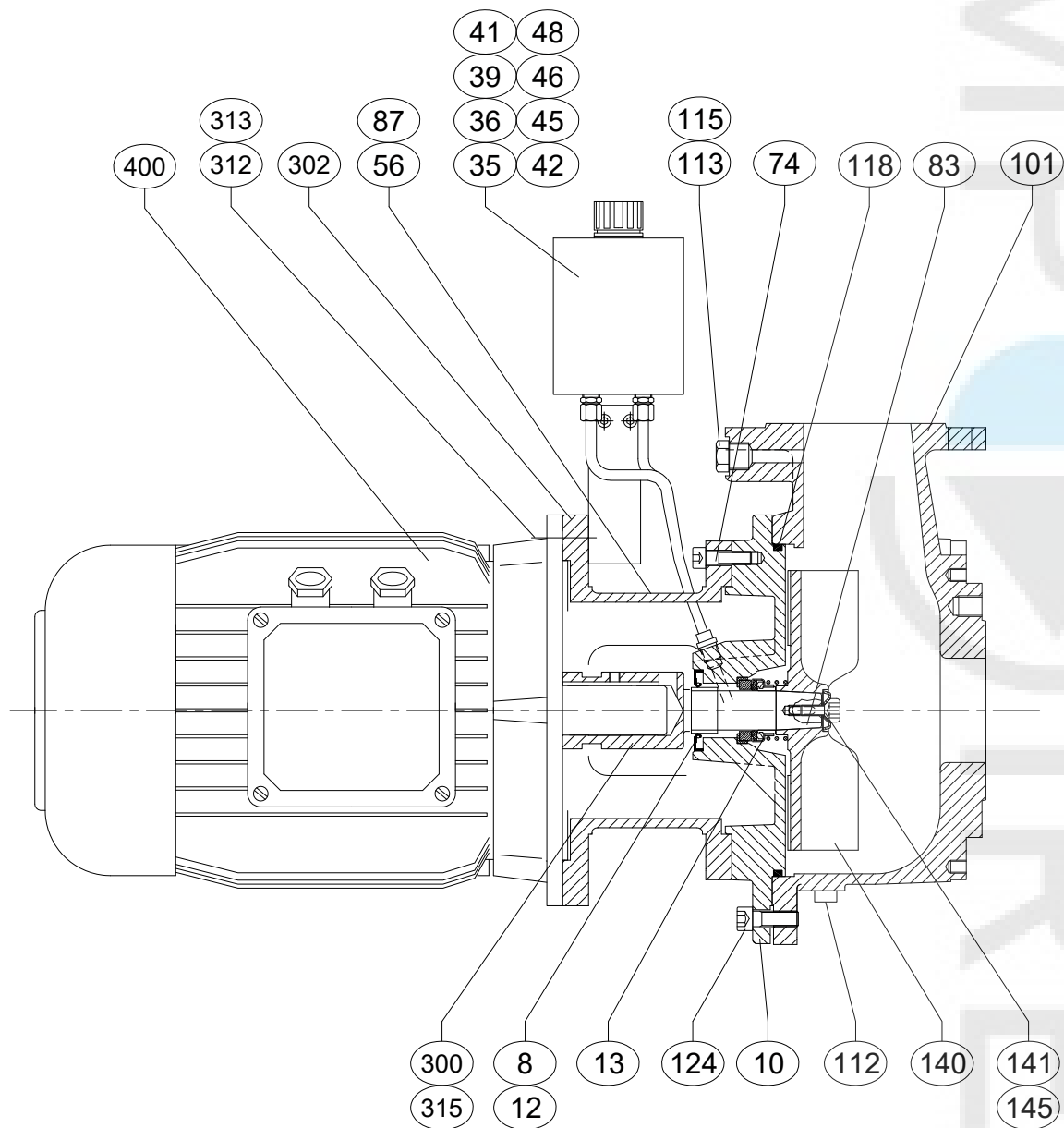


Basic version

Pos	Qty	Part nr	Robot nr	Description		Pattern	Material
8	1	9D1133	R706-347	Seal sleeve	Ø30 CR 99114		
10	1	706270	R704-157-GG	Seal housing	BW20	P4031	EN-GJL-250
12	1	9D1132	R706-346	Lip seal	Ø30/Ø62x7 CB 30x62x07.64		
13	1	9D2267	R706-318	Mechanical seal	Ø30 NBR / SiC / 1.4571		SiC/SiC/NBR
35	1	706234	R716-071-RV	Oil tank			AISI 304
36	1	706210	R716-086	Filling plug			
39	1	706288	R716-066	Support	BW HS		S235JR
41	2	706233	R716-043	Coupling	RIK 8x1/4"		CuZn 40
42	2	706233	R716-043	Coupling	RIK 8x1/4"		CuZn 40
43	2	9M5530	R716-031	Pipe	Ø8 L=100mm		Cu
45	1	9B4451	R754-183	Hexagon socket screw	M12x 25		AISI 316
46	2	9B4423	R754-141	Hexagon socket screw	M 6 x 20		AISI 316
47	2	9B4722	R758-088	Lock washer	(M 6)		AISI 316
48	2	9B3803	R755-077	Nut	M 6		AISI 316
56	1	77256Z	R713-259-RZ	Data plate	Blanco 87x45x1		
74	4	9B4443	R754-169	Hexagon socket screw	M10x 35		AISI 316
83	1	9B2305	R756-101	Key	6 x 6x20		AISI 316
87	4	9B4202	R757-076	Data plate rivet	2.9x6.5		AISI 316
96	1	9S0033	R906-069	Oil	Shell Tellus 32 2 ltr		
101	1	706262	R701-157-GG	Volute	BW20/21 8G NW 80	P4030	EN-GJL-250
112	1	9B5310	R709-325	Plug	G 3/8"		CuZn 40
113	1	9B5309	R756-107	Plug	G 1/2"		CuZn 40
114	1	706231	R713-175	Seal ring	A 17x23x1.5 plug G3/8"		Cu
115	1	706230	R713-034	Seal ring	A 21x26x1.5 plug G1/2"		Cu
118	1	9D1368	R751-176	O-ring	249.3x 5.7		NBR
124	4	9B4453	R754-182	Hexagon socket screw	M12x 35		AISI 316
140	1	W06317	R708-366-NG	Impeller	RW4021/31/32 con30	P4028	EN-GJS-400-15
	(1)		R708-366-NG-1	Impeller	178 RW4021/31/32 con30		
	(1)		R708-366-NG-1	Impeller	175 RW4021/31/32 con30		
	(1)		R708-366-NG-1	Impeller	174 RW4021/31/32 con30		
	(1)		R708-366-NG-1	Impeller	173 RW4021/31/32 con30		
	(1)		R708-366-NG-1	Impeller	170 RW4021/31/32 con30		
	(1)		R708-366-NG-1	Impeller	165 RW4021/31/32 con30		
	(1)		R708-366-NG-1	Impeller	160 RW4021/31/32 con30		
	(1)		R708-366-NG-1	Impeller	155 RW4021/31/32 con30		
	(1)		R708-366-NG-1	Impeller	150 RW4021/31/32 con30		
	(1)		R708-366-NG-1	Impeller	145 RW4021/31/32 con30		
	(1)		R708-366-NG-1	Impeller	140 RW4021/31/32 con30		
	(1)		R708-366-NG-1	Impeller	135 RW4021/31/32 con30		
	(1)		R708-366-NG-1	Impeller	125 RW4021/31/32 con30		
141	1	706261	R713-226-RU	Impeller hubcap	ø30xø9x4		AISI 329
145	1	706292	R754-117	Hex. sock. screw counter sunk.	M 8x 20		AISI 316
Supplement support, shaft and motors IEC132-2 pole							
300	1	706269	R703-354-RZ	Pump shaft extension	IEC132 con30/Ø38		AISI 316
302	1	706266	R700-135-GG	Support	IEC132 -HS -VS	P4027	EN-GJL-250

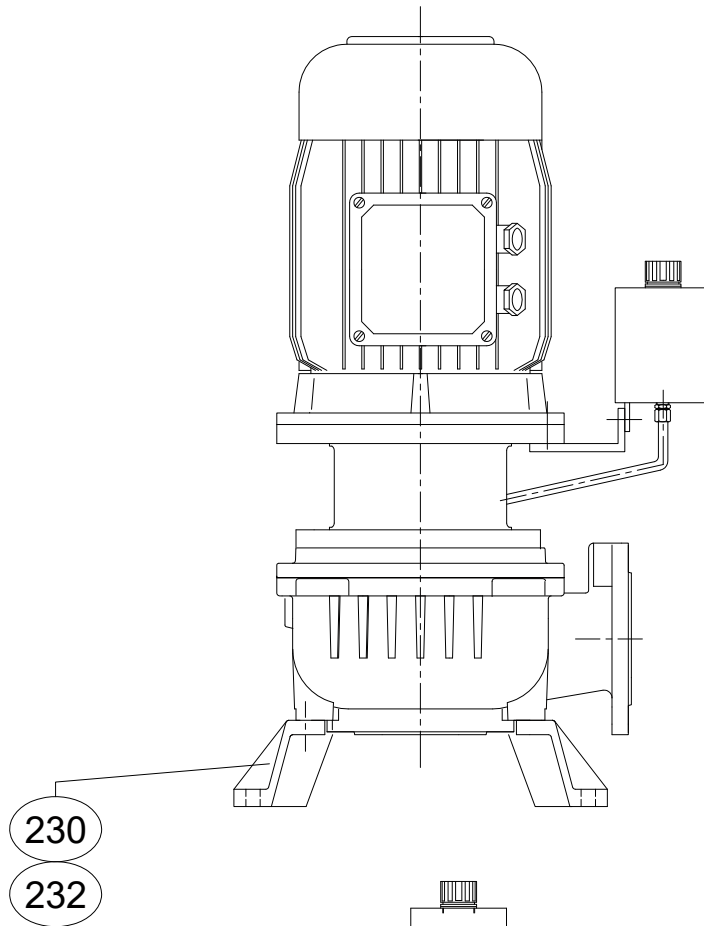
Pos	Qty	Part nr	Robot nr	Description		Pattern	Material
310	4	9B3906 repl	R758-095	Washer	(M12)		
313	4	9B3715	R753-222	Stud bolt	M12 x 30		AISI 316
314	4	9B3806 repl	R755-083	Nut	M12		
315	1	9B0523	R754-028	Hexagon socket screw	M 8x 16		AISI 316
330	2	706278	R710-494-ST	Protecting shield	BW, BT VK8/St10		Fe galv.
331	4	9B4420 repl	R754-026	Hexagon socket screw	M 6 x 12		
400	(1)	IEC132S 5.5-2B5	R790-034	Motor	IEC132S 5.5kW-2 Flens B5		
	(1)		R790-035	Motor	IEC132S 7.5 kW-2 Flens B5		
	(1)		R790-021	Motor	IEC132S 5.5 kW-2 Flens V1		
	(1)	9T1540	R790-022-YT	Motor	IEC132S 7.5kW-2900 400/690V 50Hz Flens B5 Incl. PTC IE3		
408	1	9B2430	R756-062	Roll pin	4x16		AISI 316
Supplement support hor. installation IEC132							
240	1	76225S	R710-205-ST	Support	H IEC 132 hh180		S235JR
242	3	9B4451	R754-183	Hexagon socket screw	M12x 25		AISI 316
Supplement support vertical installation							
230	1	76345G	R710-098-GG	Volute support	V-laag	P574G	EN-GJL-250
	(1)	76249T	R715-096-ST	Support	BWP22-20/21 V-hoog pasr.260		Fe galv
232	6	9B4441	R754-153	Hexagon socket screw	M10x 25		AISI 316
Option: seal flushing							
10	1	76552G	R704-157-GG-F	Seal housing	BWP22-S spoelw/flushing	P4031	EN-GJL-250
250	1	76553Z	R711-171-RZ	Baffle plate	BW20/21/2500		AISI 316
251	1	9M5530	R716-031	Pipe	Ø8 L=100mm		Cu
253	1	9F0353	R716-093	Reducer	R3/8"-R1/4" bu/bi		Fe galv.
254	2	706233	R716-043	Coupling	RIK 8x1/4"		CuZn 40
255	1	9F2502	R716-092	Socket	R1/4"		Fe galv.
Option Sparepart kit							
600	1	77885E	R506-6000	Spare part kit	BW20-H/V/K		

BW2021-S
BW2020-S



BW2021-S
BW2020-S

BW2020-SV
BW2021-SV



BW2020-SH
BW2021-SH

